

## CONTENTS

---

### American National Standards

Project Initiation Notification System (PINS) .....	2
Call for Comment on Standards Proposals .....	9
Final Actions - (Approved ANS) .....	34
Call for Members (ANS Consensus Bodies) .....	36
American National Standards (ANS) Process .....	41
ANS Under Continuous Maintenance .....	42
ANSI-Accredited Standards Developer Contacts .....	43

### International Standards

ISO and IEC Draft Standards .....	45
ISO and IEC Newly Published Standards .....	49
International Electrotechnical Commission (IEC) .....	52

### Information Concerning

Registration of Organization Names in the United States .....	53
Proposed Foreign Government Regulations .....	54

# Project Initiation Notification System (PINS)

Section 2.5.1 of the *ANSI Essential Requirements* ([www.ansi.org/essentialrequirements](http://www.ansi.org/essentialrequirements)) describes the Project Initiation Notification System (PINS) and includes requirements associated with a PINS Deliberation. Following is a list of PINS notices submitted for publication in this issue of ANSI Standards Action by ANSI-Accredited Standards Developers (ASDs). Please also review the section in Standards Action entitled "American National Standards Maintained Under Continuous Maintenance" for information about American National Standards (ANS) maintained under the continuous maintenance option, as a PINS to initiate a revision of such standards is not required. Use the following Public Document Library url to access PDF & EXCEL reports of approved & proposed ANS: List of Approved and Proposed ANS. Directly and materially interested parties wishing to receive more information or to submit comments are to contact the sponsoring ANSI-Accredited Standards Developer directly **within 30 calendar days** of the publication of this PINS announcement.

---

## **APCO (Association of Public-Safety Communications Officials-International)**

Mindy Adams <[apcostandards@apcointl.org](mailto:apcostandards@apcointl.org)> | 351 N. Williamson Boulevard | Daytona Beach, FL 32114-1112 [www.apcolntl.org](http://www.apcolntl.org)

### **Revision**

BSR/APCO 3.106.3-202x, Core Competencies and Minimum Training Standards for Public Safety Communications Quality Assurance Evaluators (revision and redesignation of ANSI/APCO 3.106.2-2017)

Stakeholders: Emergency Communications Center personnel, including public safety communications users, producers and those with a general interest in the core competencies and minimum training standards for public safety communications quality assurance evaluators.

Project Need: The job of Quality Assurance Evaluator (QAE) is a critical function within our industry and an essential one in support of quality improvement for public safety communications agencies. QAEs provide information to individuals and the agency through the measurement of performance or other agency-determined standards. It is through their efforts that public safety communications centers put in place their Quality Assurance and Quality Improvement Programs for the benefit of their communities.

Interest Categories: Users, Producers, and General Interest

This standard identifies the core competencies and minimum training requirements for Quality Assurance Evaluators (QAE). The QAE administers the Quality Assurance/Quality Improvement (QA/QI) process by providing compliance oversight, reviewing, and documenting an evaluation of the level of compliance with agency directives and standards in an ongoing effort to ensure the highest levels of service to the public and emergency responders.

## **APCO (Association of Public-Safety Communications Officials-International)**

Mindy Adams <[apcostandards@apcointl.org](mailto:apcostandards@apcointl.org)> | 351 N. Williamson Boulevard | Daytona Beach, FL 32114-1112 [www.apcolntl.org](http://www.apcolntl.org)

### **Revision**

BSR/APCO 3.108.3-202X, Core Competencies and Minimum Training Standards for Public Safety Communications Instructor (revision and redesignation of ANSI/APCO 3.108.2-2018)

Stakeholders: Emergency Communications Center personnel, including public safety communications users, producers, and those with a general interest in the core competencies and minimum training standards for public safety instructors.

Project Need: The revision of this standard identifies core competencies and minimum training standards for the individual generally tasked with delivery of training in the Emergency Communications Center (ECC). The purpose of this standard is to provide a consistent foundation for the knowledge, skills, and abilities needed to fulfill this critical position of Public Safety Communications Instructor. This standard recognizes the need to supplement the training and core competencies identified within this standard with Agency-specific information.

Interest Categories: Users, Producers, and General Interest

This standard identifies the core competencies and minimum training requirements for Public Safety Communications Center Instructor, herein referred to as Instructor. This position is typically tasked with the delivery of training within the communications center.

**ASTM (ASTM International)**

Lauren Daly <[accreditation@astm.org](mailto:accreditation@astm.org)> | 100 Barr Harbor Drive | West Conshohocken, PA 19428-2959 [www.astm.org](http://www.astm.org)

***New Standard***

BSR/ASTM WK88490-202x, New Practice for Physical Fit Analysis Training Program (new standard)

Stakeholders: Criminalistics Industry

Project Need: Currently there is no other peer-developed training program approved for this discipline and topic.

Interest Categories: Producer, User, General Interest

This practice is for use by laboratory personnel responsible for designing a training program for forensic science practitioners (FSPs) who will perform physical fit examinations on various materials. 1.1.1. The trainees and training program shall meet or exceed the minimum training requirements set forth in E2917, WK84047, and WK84882.

**ASTM (ASTM International)**

Lauren Daly <[accreditation@astm.org](mailto:accreditation@astm.org)> | 100 Barr Harbor Drive | West Conshohocken, PA 19428-2959 [www.astm.org](http://www.astm.org)

***New Standard***

BSR/ASTM WK88696-202x, New Guide for Standard Technical Guide for Printing Method Effects on Facial Comparisons (new standard)

Stakeholders: Digital and Multimedia Evidence Industry

Project Need: Guidelines for conducting facial comparisons with printed images in forensic environments. This standard will be used to ensure facial examiners understand the pitfalls associate with using printed facial images and how printed facial images may impact their evaluation.

Interest Categories: Producer, User, General Interest

1.1 This technical guideline provides a basic overview of various printing processes as well as their characteristics and potential impacts on a facial comparison. 1.2 The intended audience of this guideline anyone who contributes to a facial image comparison.

**ASTM (ASTM International)**

Lauren Daly <[accreditation@astm.org](mailto:accreditation@astm.org)> | 100 Barr Harbor Drive | West Conshohocken, PA 19428-2959 [www.astm.org](http://www.astm.org)

***New Standard***

BSR/ASTM WK88697-202x, New Guide for Standard Guide for Scanning of Facial Images (new standard)

Stakeholders: Digital and Multimedia Evidence Industry

Project Need: A standard guide for scanning and using scanned images for enrollment into a Facial Recognition System or manual comparisons.

Interest Categories: Producer, User, General Interest

This guideline provides best practices for scanning documents containing images for Facial Recognition enrollment or Facial Image Comparisons. 1.2. This guide is for instances in which a printed image requires capture for enrollment into a Facial Recognition system or by facial examiners undertaking a facial image comparison.

**ASTM (ASTM International)**

Lauren Daly <[accreditation@astm.org](mailto:accreditation@astm.org)> | 100 Barr Harbor Drive | West Conshohocken, PA 19428-2959 [www.astm.org](http://www.astm.org)

***New Standard***

BSR/ASTM WK88777-202x, Reinstatement of F1976-13 Standard Test Method for Impact Attenuation of Athletic Shoe Cushioning Systems and Materials (new standard)

Stakeholders: Athletic Footwear Industry

Project Need: This standard is being reinstated since it was automatically withdrawn after its 8th year of approval.

Interest Categories: Producer, User, General Interest

This work item is to reinstate F1976 since the standard is still being used within the industry.

**ASTM (ASTM International)**

Lauren Daly <[accreditation@astm.org](mailto:accreditation@astm.org)> | 100 Barr Harbor Drive | West Conshohocken, PA 19428-2959 [www.astm.org](http://www.astm.org)

***New Standard***

BSR/ASTM WK88832-202x, New Practice for Standard Practice for The Collection of Primer Gunshot Residue (pGSR) Particles from Clothing, Vehicles, and Other Inanimate Objects using Scanning Electron Microscopy (SEM) Stubs (new standard)

Stakeholders: Criminalistics Industry

Project Need: The OSAC Ignitable Liquids, Explosives, and Gunshot Residue Subcommittee has developed a new standard practice that provides recommendations for the collection of pGSR samples intended for forensic analysis.

Interest Categories: Producer, User, General Interest

This practice describes procedures for collecting samples using adhesive lifts from clothing, vehicles, and other inanimate objects that could have been exposed to primer gunshot residue (pGSR). This practice does not apply to the collection of pGSR from the hands or other body parts of a person.

**ASTM (ASTM International)**

Lauren Daly <[accreditation@astm.org](mailto:accreditation@astm.org)> | 100 Barr Harbor Drive | West Conshohocken, PA 19428-2959 [www.astm.org](http://www.astm.org)

***New Standard***

BSR/ASTM WK89101-202x, New Practice for Hazardous Area Electrical Equipment on International Ships (new standard)

Stakeholders: Electrical Industry

Project Need: The International Maritime Organization (IMO) regulations that refer to IEC 60092-502:1999 by footnote include, but are not limited to: International Convention for the Safety of Life at Sea (SOLAS), International Code for the Construction and Equipment of Ships Carrying Dangerous Chemicals in Bulk (IBC Code), International Code for the Construction and Equipment of Ships Carrying Liquefied Gases in Bulk (IGC Code),

Interest Categories: Producer, User, General Interest

This practice is intended to increase awareness and approaches for the application of hazardous areas and electrical installation as associated with the use of IEC 60092-502:1999 as referenced by footnote within International Maritime Organization (IMO) regulations as a standard recognized by IMO (that is, recognized standard).

**ASTM (ASTM International)**

Lauren Daly <[accreditation@astm.org](mailto:accreditation@astm.org)> | 100 Barr Harbor Drive | West Conshohocken, PA 19428-2959 [www.astm.org](http://www.astm.org)

***New Standard***

BSR/ASTM WK89409-202x, New Guide for Facial Comparison: Overview and Methodology Guidelines (new standard)

Stakeholders: Digital and Multimedia Evidence Industry

Project Need: This document provides a general overview of facial comparison applications, categories, and methods for conducting manual facial comparisons in support of the four facial comparison applications mentioned within this document.

Interest Categories: Producer, User, General Interest

The purpose of this document is to provide a general overview of facial comparison applications, categories, and methods. It provides guidelines and recommendations for conducting manual facial comparisons, in support of the four identified facial comparison applications. This document does not address specific standard operating procedures for conducting facial comparisons, nor does it address specific training, documentation, or reporting requirements. This document does not address the use of facial recognition algorithms.

**ASTM (ASTM International)**

Lauren Daly <[accreditation@astm.org](mailto:accreditation@astm.org)> | 100 Barr Harbor Drive | West Conshohocken, PA 19428-2959 [www.astm.org](http://www.astm.org)

***New Standard***

BSR/ASTM WK89493-202x, New Guide for Forensic Trace Evidence Recovery (new standard)

Stakeholders: Criminalistics Industry

Project Need: This is a newly developed guide that will be used by examiners in the laboratory to coordinate collection of trace materials in forensic casework. Currently there is no published standards for this purpose.

Interest Categories: Producer, User, General Interest

Trace evidence is physical evidence that can result from the transfer of small quantities of materials such as hairs, fibers, paint, tape, glass, and geological materials. The primary focus of this guide is to assist individuals in the detection, handling and preservation of trace evidence in the laboratory. Although the bulk of the procedures and steps included in this guide are applicable in the laboratory settings, certain aspects of trace evidence collection, handling, and preservation can be applicable in the field (i.e. crime scene).

**CTA (Consumer Technology Association)**

Catrina Akers <[cakers@cta.tech](mailto:cakers@cta.tech)> | 1919 South Eads Street | Arlington, VA 22202 [www.cta.tech](http://www.cta.tech)

***New Standard***

BSR/CTA 2129-202x, Standard Methodology for Consumer Broadcast Hearing Devices (new standard)

Stakeholders: Consumers, manufacturers, and retailers

Project Need: Provide use cases, elements, and implementation of a standard methodology for consumer broadcast hearing devices to include broadcast distance.

Interest Categories: General interest, users, and producers

This standard will identify the use cases, elements, and implementation of a standard methodology for consumer broadcast hearing devices to include broadcast distance.

**ESTA (Entertainment Services and Technology Association)**

Richard Nix <[standards@esta.org](mailto:standards@esta.org)> | 271 Cadman Plaza, P.O. Box 23200 | Brooklyn, NY 11202-3200 [www.esta.org](http://www.esta.org)

***Revision***

BSR/E1.2-202x, Entertainment Technology - Design, Manufacture and Use of Aluminum Trusses and Towers (revision of ANSI E1.2-2021)

Stakeholders: Manufacturers, dealers, assemblers, and users of portable aluminum structures in the entertainment industry

Project Need: Revision is needed to improve clarity of intent and to update external references.

Interest Categories: Mass market producers; Custom market producers; Designers; Dealer or rental companies; Users; General interest

This standard describes the design, manufacture, and use of aluminum trusses, towers, and associated aluminum structural components, such as head blocks, sleeve blocks, tower bases, and corner blocks, used in the entertainment industry.

**ESTA (Entertainment Services and Technology Association)**

Richard Nix <[standards@esta.org](mailto:standards@esta.org)> | 271 Cadman Plaza, P.O. Box 23200 | Brooklyn, NY 11202-3200 [www.esta.org](http://www.esta.org)

**Revision**

BSR/E1.6-3-202x, Selection and Use of Serially Manufactured Chain Hoists in the Entertainment Industry (revision of ANSI/E1.6-3-2019)

Stakeholders: Manufacturers, dealers, assemblers, and users of portable aluminum structures in the entertainment industry.

Project Need: Revision is needed to update the current standard to reflect changes in technology, and externally referenced documents

Interest Categories: Mass market producers; Custom market producers; Designers; Dealer or rental companies; Users; General interest

This standard establishes minimum safety requirements for the selection and use of serially manufactured electric link-chain hoists in the entertainment industry. This standard is intended to reduce injury and provide for the protection of life, limb and property. This standard does not address the design or maintenance of these hoists.

**ESTA (Entertainment Services and Technology Association)**

Richard Nix <[standards@esta.org](mailto:standards@esta.org)> | 271 Cadman Plaza, P.O. Box 23200 | Brooklyn, NY 11202-3200 [www.esta.org](http://www.esta.org)

**Revision**

BSR/E1.31-202x, Entertainment Technology - Lightweight streaming protocol for transport of DMX512 using ACN (revision of ANSI E1.31-2018)

Stakeholders: Entertainment lighting control equipment manufacturers, specifiers, dealers, rental companies, and users.

Project Need: Revision is needed to correct internal reference errors.

Interest Categories: Mass market producers; Custom market producers; Designers; Dealer or rental companies; Users; General interest

This standard describes a mechanism to transfer DMX512A packets over a TCP/IP network using a subset of the ACN protocol suite. It covers data format, data protocol, data addressing, and network management, including support for both IPv4 and IPv6. It also outlines a synchronization method to help ensure that multiple sinks can process this data concurrently when supervised by the same controller.

**ESTA (Entertainment Services and Technology Association)**

Richard Nix <[standards@esta.org](mailto:standards@esta.org)> | 271 Cadman Plaza, P.O. Box 23200 | Brooklyn, NY 11202-3200 [www.esta.org](http://www.esta.org)

**New Standard**

BSR/E1.82-202x, Unidirectional Machine Controls (new standard)

Stakeholders: Effects equipment manufacturers, installers, dealers, end users, programmers, performers, and audience members

Project Need: The industry has seen a tremendous increase in the use of motion effects triggered by, or entirely controlled by, lighting consoles. These applications are ever-increasing in scale, size, and weight of the objects being motivated. The use of unidirectional communications for the control of stage machinery requires additional risk mitigation practices when those machines are used within the hazard zone. Existing standards for the control of these devices are either non-existent, or are lacking in details necessary to ensure safe operation.

Interest Categories: Mass market producers; Custom market producers; Designers; Dealer or rental companies; Users; General interest

The proposed standard is intended to guide manufacturers and users through the risk assessment and operational concerns associated with the use of unidirectional communications protocols, for the purpose of controlling stage machinery. Such equipment includes effects hoists, kabuki systems, scenery motivators, curtain machines, microphone hoists, and any other actuators controlled by DMX, Art-Net, or other unidirectional communications protocols. Mechanical, structural, electrical, and control aspects of these machines would be addressed. Equipment already covered by other standards are excluded from this standard.

**IAPMO (ASSE Chapter) (ASSE International Chapter of IAPMO)**

Terry Burger <[terry.burger@asse-plumbing.org](mailto:terry.burger@asse-plumbing.org)> | 18927 Hickory Creek Drive, Suite 220 | Mokena, IL 60448 [www.asse-plumbing.org](http://www.asse-plumbing.org)

***New Standard***

BSR/ASSE 1103-202x, Performance Requirements for Pilot Operated Water Pressure Reducing Valves for Potable Water (new standard)

Stakeholders: Architects, plumbing contractors, Codes officials, Manufacturers, plumbing installers, plumbing engineers and specifiers.

Project Need: To develop a new Joint Canada-U.S. National Standard for pilot-operated pressure-regulating valves and high-range pressure-regulating valves. Devices covered by this standard are pilot-operated, diaphragm types. Devices shall be permitted to have a strainer connected to the valve inlet, or be without strainer. Devices shall be permitted to be with or without an integral by-pass relief valve. These devices operate at a minimum pressure of 250 psi. These high-pressure devices range in sizes of 1-1/4 to 36 inches nominal size.

Interest Categories: Manufacturer, User, Installer/Maintainer, Research/Standards/Testing Laboratory, Enforcing Authority Consumer, General Interest

Devices covered by this standard are pilot-operated, diaphragm types. Devices shall be permitted to have a strainer connected to the valve inlet or be without strainer.

**ICE (Institute for Credentialing Excellence)**

Liz Dombrowski <[standards@credentialingexcellence.org](mailto:standards@credentialingexcellence.org)> | 2001 K Street NW, 3rd Floor North | Washington, DC 20006 [www.credentialingexcellence.org](http://www.credentialingexcellence.org)

***Revision***

BSR/I.C.E. 1100-202x, Standard for Assessment-Based Certificate Programs (revision and redesignation of ANSI/ICE 1100-2019)

Stakeholders: Education and training organizations, Accrediting bodies, Government agencies, Employers, Consumers

Project Need: Standard requires revision.

Interest Categories: - User/Consumer: A member who purchases, uses, or specifies materials, products, systems, or services covered in the scope of the standard. User/consumer association representatives, third-party accreditation organizations, and standards developers are included in this membership classification.

- Provider: A member, who produces, assembles, distributes, or sells materials, products, systems, or services covered in the scope of the standard. Trade association representatives are included in this membership classification.

- General Interest: A member who does not fall under the other three categories but has demonstrated a direct and material interest in the standard.

This standard pertains to assessment-based certificate programs. An assessment-based certificate program is a non-degree granting program that: (a) provides instruction and training to aid participants in acquiring specific knowledge, skills, and/or competencies associated with intended learning outcomes; (b) evaluates participants' accomplishment of the intended learning outcomes; and (c) awards a certificate only to those participants who meet the performance, proficiency, or passing standard for the assessment(s) (hence the term, "assessment-based certificate program").

## **NASBLA (National Association of State Boating Law Administrators)**

Kaci Christopher <[Kaci.christopher@nasbla.org](mailto:Kaci.christopher@nasbla.org)> | 1020 Monarch Street, Suite 200 | Lexington, KY 40513 [www.nasbla.org](http://www.nasbla.org)

### ***New Standard***

BSR/NASBLA 1200-202x, K-12 Personal Flotation Device Education Standard (new standard)

Stakeholders: This standard serves as the basis to develop curriculum that will educate the K-12 audience.

Project Need: This Standard defines general, entry-level knowledge developed for a Kindergarten through 12th grade (K-12) audience about the importance of Personal Flotation Device (PFD) use in, on, or around water. It has been prepared to provide guidance on the application of PFDs for persons engaged in water-related activities. PFDs selected and maintained according to this Standard should give a reasonable assurance of safety from drowning to a person who is immersed in water. This consensus-based standard is designed to support educators and raise the overall level of knowledge, skills, and competencies of the K-12 audience.

Interest Categories: The interest categories are: federal, state, public, commercial, and nonprofit/NGO

This Standard defines general, entry-level knowledge developed for a Kindergarten through 12th grade (K-12) audience about the importance of Personal Flotation Device (PFD) use in, on, or around water. It has been prepared to provide guidance on the application of PFDs for persons engaged in water-related activities. PFDs selected and maintained according to this Standard should give a reasonable assurance of safety from drowning to a person who is immersed in water. This consensus-based standard is designed to support educators and raise the overall level of knowledge, skills, and competencies of the K-12 audience. This standard is not intended to be submitted for consideration as an ISO, IEC, or ISO/IEC JTC-1 standard.

## **PMI (Organization) (Project Management Institute)**

Lorna Scheel <[lorna.scheel@pmi.org](mailto:lorna.scheel@pmi.org)> | 18 Campus Boulevard, Suite 150 | Newtown Square, PA 19073 [www.pmi.org](http://www.pmi.org)

### ***New Standard***

BSR/PMI 2X-007-202X, The Standard for Artificial Intelligence in Project, Program, and Portfolio Management (new standard)

Stakeholders: Anyone interested in the adoption of AI within project management or their organization such as: project managers, program managers, members of project management offices, senior executives, functional managers with employees assigned to project teams, researchers analyzing AI governance in project management, educators and trainers teaching project management related subjects, consultants, other specialists in project management and related fields, and other interested parties.

Project Need: The emergence of artificial intelligence continues to have a profound impact on project managers, organizations, and the work they perform. Guidance is needed in both the practical and ethical domains so that they can efficiently and effectively navigate using AI in portfolio, program, and project management.

Interest Categories: Academic/Training, Consultant, and Organization/Professional

The standard for AI in project, program, and portfolio management establishes a framework to govern the development, deployment, and oversight of AI initiatives within an organization. This standard serves to ensure responsible and effective use of AI while promoting transparency, fairness, and accountability throughout the project, program, and portfolio lifecycle, ultimately contributing to organizational success and societal benefit.



# Call for Comment on Standards Proposals

## American National Standards

This section solicits public comments on proposed draft new American National Standards, including the national adoption of ISO and IEC standards as American National Standards, and on proposals to revise, reaffirm or withdraw approval of existing American National Standards. A draft standard is listed in this section under the ANSI-accredited standards developer (ASD) that sponsors it and from whom a copy may be obtained. Comments in connection with a draft American National Standard must be submitted in writing to the ASD no later than the last day of the comment period specified herein. Such comments shall be specific to the section (s) of the standard under review and include sufficient detail so as to enable the reader to understand the commenter's position, concerns and suggested alternative language, if appropriate. Please note that the ANSI Executive Standards Council (ExSC) has determined that an ASD has the right to require that interested parties submit public review comments electronically, in accordance with the developer's procedures.

### Ordering Instructions for "Call-for-Comment" Listings

1. Order from the organization indicated for the specific proposal.
2. Use the full identification in your order, including the BSR prefix; for example, Electric Fuses BSR/SAE J554.
3. Include remittance with all orders.
4. BSR proposals will not be available after the deadline of call for comment.

Comments should be addressed to the organization indicated, with a copy to the Board of Standards Review, American National Standards Institute, 25 West 43rd Street, New York, NY 10036. e-mail: [psa@ansi.org](mailto:psa@ansi.org)

\* Standard for consumer products

---

## Comment Deadline: March 24, 2024

### NSF (NSF International)

789 N. Dixboro Road, Ann Arbor, MI 48105-9723 | [rbrooker@nsf.org](mailto:rbrooker@nsf.org), [www.nsf.org](http://www.nsf.org)

#### Addenda

BSR/NSF 455-3-202x (i42r1), Good Manufacturing Practices for Cosmetics (addenda to ANSI/NSF 455-3-2022)  
This standard is intended to define a standardized approach for auditing to determine the level of compliance of cosmetic products to ISO 22716, as well as incorporating additional retailer requirements.

[Click here to view these changes in full](#)

Send comments (copy [psa@ansi.org](mailto:psa@ansi.org)) to: Rachel Brooker <[rbrooker@nsf.org](mailto:rbrooker@nsf.org)>

### NSF (NSF International)

789 N. Dixboro Road, Ann Arbor, MI 48105-9723 | [rbrooker@nsf.org](mailto:rbrooker@nsf.org), [www.nsf.org](http://www.nsf.org)

#### Revision

BSR/NSF 455-2-202x (i57r1), Good Manufacturing Practices for Dietary Supplements (revision of ANSI/NSF 455-2-2022)

This standard is intended to define a standardized approach for auditing to determine the level of compliance of dietary supplement products to 21 CFR Part 111, as well as incorporating additional retailer requirements.

[Click here to view these changes in full](#)

Send comments (copy [psa@ansi.org](mailto:psa@ansi.org)) to: Rachel Brooker <[rbrooker@nsf.org](mailto:rbrooker@nsf.org)>

## Comment Deadline: March 24, 2024

### NSF (NSF International)

789 N. Dixboro Road, Ann Arbor, MI 48105-9723 | [rbrooker@nsf.org](mailto:rbrooker@nsf.org), [www.nsf.org](http://www.nsf.org)

#### Revision

BSR/NSF 455-2-202x (i67r1), Good Manufacturing Practices for Dietary Supplements (revision of ANSI/NSF 455-2-2022)

This standard is intended to define a standardized approach for auditing to determine the level of compliance of dietary supplement products to 21 CFR Part 111, as well as incorporating additional retailer requirements.

[Click here to view these changes in full](#)

Send comments (copy [psa@ansi.org](mailto:psa@ansi.org)) to: Rachel Brooker <[rbrooker@nsf.org](mailto:rbrooker@nsf.org)>

### ULSE (UL Standards & Engagement)

12 Laboratory Drive, Research Triangle Park, NC 27709-3995 | [Nicolette.A.Weeks@ul.org](mailto:Nicolette.A.Weeks@ul.org), <https://ulse.org/>

#### Revision

BSR/UL 1191-202X, Standard for Components for Personal Flotation Devices (revision of ANSI/UL 1191-2023)  
UL proposes a recirculation to the UL 1191 proposal dated 9-15-23.

[Click here to view these changes in full](#)

Send comments (copy [psa@ansi.org](mailto:psa@ansi.org)) to: <https://csds.ul.com/ProposalAvailable>

### ULSE (UL Standards & Engagement)

12 Laboratory Drive, Research Triangle Park, NC 27709-3995 | [annemarie.jacobs@ul.org](mailto:annemarie.jacobs@ul.org), <https://ulse.org/>

#### Revision

BSR/UL 1574-202x, Standard for Safety for Track Lighting Systems (revision of ANSI/UL 1574-2023)

Proposed revision to edition 3 of UL 1574, which includes the following change in requirements: Installation Instructions published on publicly available website

[Click here to view these changes in full](#)

Send comments (copy [psa@ansi.org](mailto:psa@ansi.org)) to: Follow the instructions in the following website to enter comments into the CSDS Work Area: <https://csds.ul.com/ProposalAvailable>.

### ULSE (UL Standards & Engagement)

1603 Orrington Ave., Suite 2000, Evanston, IL 60201 | [anna.roessing-zewe@ul.org](mailto:anna.roessing-zewe@ul.org), <https://ulse.org/>

#### Revision

BSR/UL 1978-202x, Standard for Grease Ducts (revision of ANSI/UL 1978-2013 (R2021))

1.1 These requirements cover factory-built grease ducts, and grease duct assemblies that are intended to be installed at reduced clearances where 18-inch (457-mm) clearance is specified in the Standard for Ventilation Control and Fire Protection of Commercial Cooking Operations, NFPA 96, and the International Mechanical Code.

1.2 These requirements also cover modular grease duct assemblies, unwelded connections between adjoining duct parts, fittings, access doors, and the like intended for use with grease ducts installed in accordance with NFPA 96 and the International Mechanical Code. 1.3 These requirements do not address NFPA 96 and the International Mechanical Code requirements for grease duct enclosures. Grease ducts covered only by these requirements are intended to be installed in a fire-resistive enclosure when required by NFPA 96 or the IMC. 1.4 Requirements used to evaluate the effectiveness of the combination of a grease duct and an enclosure as a fire-rated enclosure system and through penetration firestop system, as well as the enclosure's effect on the grease duct are contained in Standard for Tests of Fire Resistive Grease Duct Enclosure Assemblies, UL 2221, and ASTM E 2336, Standard Test Methods for Fire Resistive Grease Duct Enclosure Systems.

[Click here to view these changes in full](#)

Send comments (copy [psa@ansi.org](mailto:psa@ansi.org)) to: Follow the instructions in the following website to enter comments into the CSDS Work Area: <https://csds.ul.com/ProposalAvailable>

## Comment Deadline: March 24, 2024

### ULSE (UL Standards & Engagement)

1603 Orrington Ave, Suite 2000, Evanston, IL 60201 | [Megan.M.VanHeirseesele@ul.org](mailto:Megan.M.VanHeirseesele@ul.org), <https://ulse.org/>

#### Revision

BSR/UL 2272-202x, Standard for Safety for Electrical Systems for Personal E-Mobility Devices (revision of ANSI/UL 2272-2019)

(1) Updating battery pack compartment requirements; (2) Addition of more specific evaluation requirements of gaskets and seals; (3) Clarification of flammability requirements for nonmetallic materials; (4) Updating charger requirements; (6) Updating temperature requirements; (7) Adding reference to UL 2054 and UL 62133-2/CSA C22.2 No. 62133-2 for rechargeable batteries providing power other than drivetrain unit; (15) Alignment of the dielectric strength test condition.

[Click here to view these changes in full](#)

Send comments (copy [psa@ansi.org](mailto:psa@ansi.org)) to: Follow the instructions in the following website to enter comments into the CSDS Work Area "<https://csds.ul.com/ProposalAvailable>".

### ULSE (UL Standards & Engagement)

1603 Orrington Ave., Suite 2000, Evanston, IL 60201 | [anna.roessing-zewe@ul.org](mailto:anna.roessing-zewe@ul.org), <https://ulse.org/>

#### Revision

BSR/UL 2431-202x, Standard for Safety for Durability of Fire Resistive Coatings and Materials (revision of ANSI/UL 2431-2019)

1.1 This standard is intended to provide a means to measure the ability of fire-resistive materials to retain their fire-resistive properties after being subjected to various conditioning environments. The fire resistive performance is determined by measuring temperatures of steel tubes, wide flange sections and plates protected by the materials. 1.2 Various types of conditioning environments are described. The conditioning environments include air erosion, a combination of wet, freeze and dry cycling, humidity, impact resistance, industrial atmosphere, salt spray, temperature stability, ultraviolet light, and vibration. 1.3 Two fire exposures are defined, a normal temperature rise fire and a rapid temperature rise fire. The normal temperature rise fire is intended to represent a fully developed interior building fire. The rapid temperature rise fire is intended to represent a hydrocarbon pool fire. 1.4 The conditioning environments and fire exposure tests are not intended to be representative of all exposure and fire conditions. With respect to fire exposure, conditions vary with changes in the amount, nature, and distribution of fire loading; ventilation; compartment size and configuration; and heat conducting and dissipating characteristics of the compartment in which the fire resistive material is installed.

[Click here to view these changes in full](#)

Send comments (copy [psa@ansi.org](mailto:psa@ansi.org)) to: Follow the instructions in the following website to enter comments into the CSDS Work Area: <https://csds.ul.com/ProposalAvailable>

## Comment Deadline: April 8, 2024

### **AAFS (American Academy of Forensic Sciences)**

410 North 21st Street, Colorado Springs, CO 80904 | [tambrosius@aafs.org](mailto:tambrosius@aafs.org), [www.aafs.org](http://www.aafs.org)

#### ***New Standard***

BSR/ASB BPR 122-202x, Best Practice Recommendation for Performing Alcohol Calculations in Forensic Toxicology (new standard)

This document provides recommendations for performing alcohol (ethanol) calculations to include retrograde extrapolation, forward estimations, minimum drinks consumed, and other typical situations scenarios.

Recommendations are also provided for evaluation of post-absorptive stage, various specimen types, population variances, and reporting of calculations. The principles and practices outlined in this best practice recommendation may also apply to postmortem scenarios, but there are additional variables to be considered that are outside the scope of this document. Expert opinions based on the results of these calculations are outside the scope of this document.

Single copy price: Free

Obtain an electronic copy from: This is a public comment period for a recirculation. Updated document, redline version, and comments can be viewed on the AAFS Standards Board website at: [www.aafs.org/academy-standards-board](http://www.aafs.org/academy-standards-board).

Send comments (copy [psa@ansi.org](mailto:psa@ansi.org)) to: [asb@aafs.org](mailto:asb@aafs.org)

### **ABYC (American Boat and Yacht Council)**

613 Third Street, Suite 10, Annapolis, MD 21403 | [eparks@abycinc.org](mailto:eparks@abycinc.org), [www.abycinc.org](http://www.abycinc.org)

#### ***Revision***

BSR/ABYC A-22-202x, Compressed Natural Gas (CNG) Systems (revision of ANSI/ABYC A-22-2018)

This standard addresses the design, construction, installation, and maintenance of compressed natural gas (CNG) systems on boats up to the point of connection with the CNG appliance.

Single copy price: \$50.00

Obtain an electronic copy from: [abycinc.org](http://abycinc.org)

Send comments (copy [psa@ansi.org](mailto:psa@ansi.org)) to: [comments@abycinc.org](mailto:comments@abycinc.org)

### **ABYC (American Boat and Yacht Council)**

613 Third Street, Suite 10, Annapolis, MD 21403 | [eparks@abycinc.org](mailto:eparks@abycinc.org), [www.abycinc.org](http://www.abycinc.org)

#### ***Revision***

BSR/ABYC A-28-202x, Galvanic Isolators (revision of ANSI/ABYC A-28-2019)

This standard addresses construction, testing, and installation of galvanic isolators used on boats equipped with alternating current (AC) shore power systems operating at frequencies of 50 or 60 Hz, and less than 600 V, wired in accordance with ABYC E-11, AC & DC Electrical Systems on Boats and ABYC TE-12, Three Phase AC Electrical Systems on Boats.

Single copy price: \$50.00

Obtain an electronic copy from: [abycinc.org](http://abycinc.org)

Send comments (copy [psa@ansi.org](mailto:psa@ansi.org)) to: [comments@abycinc.org](mailto:comments@abycinc.org)

## Comment Deadline: April 8, 2024

### **ABYC (American Boat and Yacht Council)**

613 Third Street, Suite 10, Annapolis, MD 21403 | [eparks@abycinc.org](mailto:eparks@abycinc.org), [www.abycinc.org](http://www.abycinc.org)

#### **Revision**

BSR/ABYC H-29-202x, Canoes and Kayaks (revision of ANSI/ABYC H-29-2022)

This standard addresses capacities, flotation, powering, design, construction, and labeling of canoes and kayaks, and applies to all boats identified as canoes or kayaks, including inflatable canoes or kayaks.

Single copy price: \$50.00

Obtain an electronic copy from: [abycinc.org](http://abycinc.org)

Send comments (copy [psa@ansi.org](mailto:psa@ansi.org)) to: [comments@abycinc.org](mailto:comments@abycinc.org)

### **ABYC (American Boat and Yacht Council)**

613 Third Street, Suite 10, Annapolis, MD 21403 | [eparks@abycinc.org](mailto:eparks@abycinc.org), [www.abycinc.org](http://www.abycinc.org)

#### **Revision**

BSR/ABYC P-4-202x, Marine Inboard Engines and Transmission (revision of ANSI/ABYC P-4-2019)

This standard applies to the design, selection of materials, construction, and installation of marine internal combustion inboard engines and transmissions used for propulsion and auxiliary equipment.

Single copy price: \$50.00

Obtain an electronic copy from: [abycinc.org](http://abycinc.org)

Send comments (copy [psa@ansi.org](mailto:psa@ansi.org)) to: [comments@abycinc.org](mailto:comments@abycinc.org)

### **ACCA (Air Conditioning Contractors of America)**

1520 Belle View Boulevard, #5220, Alexandria, VA 22307 | [david.bixby@acca.org](mailto:david.bixby@acca.org), [www.acca.org](http://www.acca.org)

#### **Revision**

BSR/ACCA 1 Manual D-202x, Residential Duct Systems (revision of ANSI/ACCA 1 Manual D-2016)

Manual D uses heating and cooling loads to determine space air delivery requirements for residential applications. The Manual D procedures match duct system resistance (pressure drop) to blower performance (as defined by the manufacturer's blower performance tables). This delivers appropriate airflow to the rooms and spaces, while ensuring that system airflow is compatible with the operating range of the HVAC equipment. The proposed revisions are to the Normative Sections of Manual D as follows:

Section N1 - General Requirements and Definitions;

Section N2 - Manual D Procedure;

Section N3 - Maximum Air Velocity and Transfer Air Tables;

Section N4 - Fitting Equivalent Lengths.

Single copy price: Free

Obtain an electronic copy from: [david.bixby@acca.org](mailto:david.bixby@acca.org)

Send comments (copy [psa@ansi.org](mailto:psa@ansi.org)) to: Same

## Comment Deadline: April 8, 2024

### **AHRI (Air-Conditioning, Heating, and Refrigeration Institute)**

2311 Wilson Boulevard, Suite 400, Arlington, VA 22201-3001 | [kbest@ahrinet.org](mailto:kbest@ahrinet.org), [www.ahrinet.org](http://www.ahrinet.org)

#### **Reaffirmation**

BSR/AHRI Standard 900-2015 (R202x) (I-P), Performance Rating of Thermal Storage Equipment Used for Cooling (reaffirmation of ANSI/AHRI Standard 900 (I-P)-2015 (R2020))

This standard applies to Thermal Storage Equipment used for cooling which may be charged and discharged with any of a variety of heat transfer fluids. The equipment, as further described in Sections 3 and 4, may be fully factory assembled; assembled on-site from factory-supplied components; or field erected in accordance with pre-established design criteria.

Single copy price: Free

Obtain an electronic copy from: <https://connect.ahrinet.org/standards-public-review/stdsunderpublicreview>

Send comments (copy [psa@ansi.org](mailto:psa@ansi.org)) to: [AHRI\\_Standards@ahrinet.org](mailto:AHRI_Standards@ahrinet.org)

### **AHRI (Air-Conditioning, Heating, and Refrigeration Institute)**

2311 Wilson Boulevard, Suite 400, Arlington, VA 22201-3001 | [kbest@ahrinet.org](mailto:kbest@ahrinet.org), [www.ahrinet.org](http://www.ahrinet.org)

#### **Reaffirmation**

BSR/AHRI Standard 901-2015 (R202x) (SI), Performance Rating of Thermal Storage Equipment Used for Cooling (reaffirmation of ANSI/AHRI Standard 901 (SI)-2015 (R2020))

This standard applies to Thermal Storage Equipment used for cooling which may be charged and discharged with any of a variety of heat transfer fluids. The equipment, as further described in Sections 3 and 4, may be fully factory assembled; assembled on-site from factory-supplied components; or field erected in accordance with pre-established design criteria.

Single copy price: Free

Obtain an electronic copy from: <https://connect.ahrinet.org/standards-public-review/stdsunderpublicreview>

Send comments (copy [psa@ansi.org](mailto:psa@ansi.org)) to: [AHRI\\_Standards@ahrinet.org](mailto:AHRI_Standards@ahrinet.org)

### **ASA (ASC S1) (Acoustical Society of America)**

1305 Walt Whitman Road, Suite 300, Melville, NY 11747 | [standards@acousticalsociety.org](mailto:standards@acousticalsociety.org), [www.acousticalsociety.org](http://www.acousticalsociety.org)

#### **Reaffirmation**

BSR/ASA S1.1-2013 (R202x), Acoustical Terminology (reaffirmation of ANSI/ASA S1.1-2013 (R2020))

This standard provides definitions for a wide variety of terms, abbreviations, and letter symbols used in acoustics and electroacoustics. Terms of general use in all branches of acoustics are defined, as well as many terms of special use for architectural acoustics, acoustical instruments, mechanical vibration and shock, physiological and psychological acoustics, underwater sound, sonics and ultrasonics, and music.

Single copy price: \$169.00

Obtain an electronic copy from: [standards@acousticalsociety.org](mailto:standards@acousticalsociety.org)

Send comments (copy [psa@ansi.org](mailto:psa@ansi.org)) to: Nancy Blair-DeLeon <[standards@acousticalsociety.org](mailto:standards@acousticalsociety.org)>

## Comment Deadline: April 8, 2024

### ASA (ASC S1) (Acoustical Society of America)

1305 Walt Whitman Road, Suite 300, Melville, NY 11747 | [standards@acousticalsociety.org](mailto:standards@acousticalsociety.org), [www.acousticalsociety.org](http://www.acousticalsociety.org)

#### **Reaffirmation**

BSR/ASA S1.16-2000 (R202x), Method for Measuring the Performance of Noise Discriminating and Noise Canceling Microphones (reaffirmation of ANSI/ASA S1.16-2000 (R2020))

This standard describes procedures for measuring the performance of noise-discriminating and noise-canceling microphones. The signal-to-noise ratio is measured at 1/3 octave band intervals with the desired test source in a diffuse noise field. The noise-canceling performance of the microphone is defined as the noise canceling index (NCI), a weighted summation of the signal-to-noise ratios. The NCI of the microphone under test can be compared to the required baseline NCI of a laboratory standard pressure microphone.

Single copy price: \$99.00

Obtain an electronic copy from: [standards@acousticalsociety.org](mailto:standards@acousticalsociety.org)

Send comments (copy [psa@ansi.org](mailto:psa@ansi.org)) to: Same

### ASA (ASC S12) (Acoustical Society of America)

1305 Walt Whitman Road, Suite 300, Melville, NY 11747 | [standards@acousticalsociety.org](mailto:standards@acousticalsociety.org), [www.acousticalsociety.org](http://www.acousticalsociety.org)

#### **Reaffirmation**

BSR/ASA S12.10-2010/Part 1 (R202x), Standard Acoustics - Measurement of Airborne Noise Emitted by Information Technology and Telecommunications Equipment - Part 1: Determination of Sound Power Level and Emission Sound Pressure Level (reaffirmation of ANSI/ASA S12.10-2010/Part 1 (R2020))

This Standard specifies methods for the measurement of airborne noise emitted by information technology and telecommunications equipment. Hitherto, a wide variety of methods has been applied by individual manufacturers and users to satisfy particular equipment or application needs. These diverse practices have, in many cases, made comparison of noise emission difficult. This Standard simplifies such comparisons and is the basis for the declaration of the noise emission levels of information technology and telecommunications equipment. This Standard is technically identical to parts of ECMA-74.

Single copy price: \$165.00

Obtain an electronic copy from: [standards@acousticalsociety.org](mailto:standards@acousticalsociety.org)

Send comments (copy [psa@ansi.org](mailto:psa@ansi.org)) to: Nancy Blair-DeLeon <[standards@acousticalsociety.org](mailto:standards@acousticalsociety.org)>

### ASA (ASC S12) (Acoustical Society of America)

1305 Walt Whitman Road, Suite 300, Melville, NY 11747 | [standards@acousticalsociety.org](mailto:standards@acousticalsociety.org), [www.acousticalsociety.org](http://www.acousticalsociety.org)

#### **Reaffirmation**

BSR/ASA S12.10-2011/Part 2 (R202x), Standard Acoustics - Measurement of Airborne Noise Emitted by Information Technology and Telecommunications Equipment - Part 2: Declaration of Noise Emission Levels (reaffirmation of ANSI/ASA S12.10-2011/Part 2 (R2020))

This Standard specifies procedure and requirements of the verification of noise emission levels of information technology and telecommunications equipment. Hitherto, a wide variety of methods has been applied by individual manufacturers and users to satisfy particular equipment or application needs.

These diverse practices have, in many cases, made comparison of noise emission difficult. This Standard unifies the procedure and requirements that make the declared noise emission levels consistent for information technology and telecommunications equipment. This Standard is technically identical to parts of ECMA-109 (2010).

Single copy price: \$165.00

Obtain an electronic copy from: [standards@acousticalsociety.org](mailto:standards@acousticalsociety.org)

Send comments (copy [psa@ansi.org](mailto:psa@ansi.org)) to: Nancy Blair-DeLeon <[standards@acousticalsociety.org](mailto:standards@acousticalsociety.org)>

## Comment Deadline: April 8, 2024

### **ASA (ASC S3) (Acoustical Society of America)**

1305 Walt Whitman Road, Suite 300, Melville, NY 11747 | [standards@acousticalsociety.org](mailto:standards@acousticalsociety.org), [www.acousticalsociety.org](http://www.acousticalsociety.org)

#### **Reaffirmation**

BSR/ASA S3.13-1987 (R202x), Mechanical Coupler for Measurement of Bone Vibrators (reaffirmation of ANSI/ASA S3.13-1987 (R2020))

This standard specifies requirements for mechanical couplers used for calibrating bone-conduction audiometers and making measurements on bone vibrators and bone-conduction hearing aids. Specific design features are given for the mechanical coupler when driven by a vibrator with a prescribed plane circular tip area and applied with a specific static force. An appendix provides an example of a specific construction of a mechanical coupler. Single copy price: \$99.00

Obtain an electronic copy from: [standards@acousticalsociety.org](mailto:standards@acousticalsociety.org)

Send comments (copy [psa@ansi.org](mailto:psa@ansi.org)) to: Same

### **ASSP (Safety) (American Society of Safety Professionals)**

520 N. Northwest Highway, Park Ridge, IL 60068 | [rblanchette@assp.org](mailto:rblanchette@assp.org), [www.assp.org](http://www.assp.org)

#### **Revision**

BSR/ASSP Z15.1-202X, Safe Practices for Motor Vehicle Operations (revision and redesignation of ANSI/ASSE Z15.1-2017)

This standard sets forth practices for the safe management and operation of motor vehicles owned or operated by organizations. These practices are designed for use by those having the responsibility for the administration and operation of motor vehicles for organizational business.

Single copy price: \$125.00

Obtain an electronic copy from: [rblanchette@assp.org](mailto:rblanchette@assp.org)

Send comments (copy [psa@ansi.org](mailto:psa@ansi.org)) to: Same

### **ASSP (Safety) (American Society of Safety Professionals)**

520 N. Northwest Highway, Park Ridge, IL 60068 | [rblanchette@assp.org](mailto:rblanchette@assp.org), [www.assp.org](http://www.assp.org)

#### **Revision**

BSR/ASSP Z390.1-202X, Accepted Practices for Hydrogen Sulfide (H<sub>2</sub>S) Training Programs (revision and redesignation of ANSI/ASSE Z390.1-2017)

This standard sets forth accepted practices for hydrogen sulfide (H<sub>2</sub>S) safety training and instruction of affected personnel to include, but not be limited to, the following: Minimum informational content of the course; Recommended exercises and drills; Properties and characteristics of H<sub>2</sub>S; Sources of H<sub>2</sub>S and areas of potential exposure; Typical site-specific safe work practices associated with H<sub>2</sub>S operations; Detection methods for H<sub>2</sub>S; Engineering/mitigation controls; Properties, characteristics and safe work practices of Sulfur Dioxide (SO<sub>2</sub>).

Single copy price: \$125.00

Obtain an electronic copy from: [rblanchette@assp.org](mailto:rblanchette@assp.org)

Send comments (copy [psa@ansi.org](mailto:psa@ansi.org)) to: Same



## Comment Deadline: April 8, 2024

### **AWWA (American Water Works Association)**

6666 W. Quincy Avenue, Denver, CO 80235 | [mrohr@awwa.org](mailto:mrohr@awwa.org), [www.awwa.org](http://www.awwa.org)

#### **Revision**

BSR/AWWA B303-202x, Sodium Chlorite (revision of ANSI/AWWA B303-2017)

This standard describes sodium chlorite, in either solid (granular, flake, or powdered) or aqueous-solution form, for use in making chlorine dioxide for use in the treatment of potable water, wastewater, and reclaimed water. Sodium chlorite must be packaged, labelled, and registered according to the Federal Insecticide, Fungicide, and Rodenticide Act (FIFRA) as administered by the US Environmental Protection Agency (USEPA). State regulations may also apply.

Single copy price: Free

Obtain an electronic copy from: [ETSsupport@awwa.org](mailto:ETSsupport@awwa.org)

Send comments (copy [psa@ansi.org](mailto:psa@ansi.org)) to: AWWA, Paul J. Olson ([polson@awwa.org](mailto:polson@awwa.org))

### **AWWA (American Water Works Association)**

6666 W. Quincy Avenue, Denver, CO 80235 | [mrohr@awwa.org](mailto:mrohr@awwa.org), [www.awwa.org](http://www.awwa.org)

#### **Revision**

BSR/AWWA B600-202x, Powdered Activated Carbon (revision of ANSI/AWWA B600-2015)

This standard describes powdered activated carbon (PAC) for use in adsorption of impurities for water supply service applications.

Single copy price: Free

Obtain an electronic copy from: [ETSsupport@awwa.org](mailto:ETSsupport@awwa.org)

Send comments (copy [psa@ansi.org](mailto:psa@ansi.org)) to: AWWA, Paul J. Olson ([polson@awwa.org](mailto:polson@awwa.org))

### **ESTA (Entertainment Services and Technology Association)**

271 Cadman Plaza, P.O. Box 23200, Brooklyn, NY 11202-3200 | [standards@esta.org](mailto:standards@esta.org), [www.esta.org](http://www.esta.org)

#### **New Standard**

BSR ES1.2-202x, Event Safety - Planning and Management (new standard)

This standard gives overall guidance on the general aspects of planning and management for special events.

Single copy price: Free

Obtain an electronic copy from: [https://tsp.esta.org/tsp/documents/public\\_review\\_docs.php](https://tsp.esta.org/tsp/documents/public_review_docs.php)

Send comments (copy [psa@ansi.org](mailto:psa@ansi.org)) to: Karl Ruling <[standards@esta.org](mailto:standards@esta.org)>

### **ESTA (Entertainment Services and Technology Association)**

271 Cadman Plaza, P.O. Box 23200, Brooklyn, NY 11202-3200 | [standards@esta.org](mailto:standards@esta.org), [www.esta.org](http://www.esta.org)

#### **New Standard**

BSR E1.64-202x, Stage Machinery Motion Control (new standard)

This document provides a common standard of design, operation, maintenance and practices for the control of all stage machinery. It offers a complete look at how stage machinery is controlled in the Entertainment Industry. It addresses control schema requirements, from the Operator Interface (pushbuttons, software, touch surface) through the wiring (data or discrete I/O) along the path to the controller (analog, digital, relay coils), through the controller output and along a second path of wiring (machine power, data, analog signals, discrete I/O), to the machine. The document provides advice and guidance on usage of drives, contactors, emergency stop systems, cable termination, cable selection, data transmission and operator interfaces.

Single copy price: Free

Obtain an electronic copy from: [https://tsp.esta.org/tsp/documents/public\\_review\\_docs.php](https://tsp.esta.org/tsp/documents/public_review_docs.php)

Send comments (copy [psa@ansi.org](mailto:psa@ansi.org)) to: Karl Ruling <[standards@esta.org](mailto:standards@esta.org)>

## Comment Deadline: April 8, 2024

### **ESTA (Entertainment Services and Technology Association)**

271 Cadman Plaza, P.O. Box 23200, Brooklyn, NY 11202-3200 | [standards@esta.org](mailto:standards@esta.org), [www.esta.org](http://www.esta.org)

#### **Reaffirmation**

BSR E1.30-11-2019 (R202x), EPI 33. ACN Root Layer Protocol Operation on TCP (reaffirmation of ANSI E1.30-11-2019)

ANSI E1.30-11-2019 (EPI 33) specifies the operation and formats for the ACN Root Layer Protocol [Arch] operating on [TCP].

Single copy price: Free

Obtain an electronic copy from: [https://tsp.esta.org/tsp/documents/public\\_review\\_docs.php](https://tsp.esta.org/tsp/documents/public_review_docs.php)

Send comments (copy [psa@ansi.org](mailto:psa@ansi.org)) to: Karl Ruling <[standards@esta.org](mailto:standards@esta.org)>

### **ESTA (Entertainment Services and Technology Association)**

271 Cadman Plaza, P.O. Box 23200, Brooklyn, NY 11202-3200 | [standards@esta.org](mailto:standards@esta.org), [www.esta.org](http://www.esta.org)

#### **Revision**

BSR E1.20-202x, Entertainment Technology - RDM-Remote Device Management over USITT DMX512 Networks (revision of ANSI E1.20-2010)

This standard describes a method of bi-directional communications over a USITT DMX512/1990 or ANSI E1.11-2004 data link between an entertainment lighting controller and one or more remotely controlled lighting devices. The protocol was written to work with the ANSI E1.11-2004 control standard, but will work equally well with the current 2009 version of E1.11. It allows discovery of devices on a DMX512/E1.11 network and the remote setting of DMX starting addresses, as well as status and fault reporting back to the control console.

Single copy price: Free

Obtain an electronic copy from: [https://tsp.esta.org/tsp/documents/public\\_review\\_docs.php](https://tsp.esta.org/tsp/documents/public_review_docs.php)

Send comments (copy [psa@ansi.org](mailto:psa@ansi.org)) to: Karl Ruling <[standards@esta.org](mailto:standards@esta.org)>

### **ESTA (Entertainment Services and Technology Association)**

271 Cadman Plaza, P.O. Box 23200, Brooklyn, NY 11202-3200 | [standards@esta.org](mailto:standards@esta.org), [www.esta.org](http://www.esta.org)

#### **Revision**

BSR E1.43-202x, Entertainment Technology - Performer Flying Systems (revision of ANSI E1.43-2016)

This standard establishes a minimum level of performance parameters for the design, manufacture, use, and maintenance of performer flying systems used in the production of entertainment events. The purpose of this guidance is to achieve the adequate strength, reliability, and safety of these systems to ensure safety of the performer, other production personnel, and audiences under all circumstances associated with performer flying.

Single copy price: Free

Obtain an electronic copy from: [https://tsp.esta.org/tsp/documents/public\\_review\\_docs.php](https://tsp.esta.org/tsp/documents/public_review_docs.php)

Send comments (copy [psa@ansi.org](mailto:psa@ansi.org)) to: Karl Ruling <[standards@esta.org](mailto:standards@esta.org)>

## Comment Deadline: April 8, 2024

### **ESTA (Entertainment Services and Technology Association)**

271 Cadman Plaza, P.O. Box 23200, Brooklyn, NY 11202-3200 | [standards@esta.org](mailto:standards@esta.org), [www.esta.org](http://www.esta.org)

#### **Revision**

BSR E1.50-1-202x, Requirements for the Structural Support of Temporary LED, Video & Display Systems (revision of ANSI E1.50-1-2017)

This standard covers the support of temporary installations of large-format modular display systems, LED, video and other self-illuminating display structures not otherwise addressed by existing standards. The scope of this standard includes planning and site preparedness, assembly and erection, suspension and safety of components, special access requirements, use, and dismantling of these systems.

Single copy price: Free

Obtain an electronic copy from: [https://tsp.esta.org/tsp/documents/public\\_review\\_docs.php](https://tsp.esta.org/tsp/documents/public_review_docs.php)

Send comments (copy [psa@ansi.org](mailto:psa@ansi.org)) to: Karl Ruling <[standards@esta.org](mailto:standards@esta.org)>

### **ESTA (Entertainment Services and Technology Association)**

271 Cadman Plaza, P.O. Box 23200, Brooklyn, NY 11202-3200 | [standards@esta.org](mailto:standards@esta.org), [www.esta.org](http://www.esta.org)

#### **Revision**

BSR E1.51-202x, The Selection, Installation, and Use of Single-Conductor Portable Power Feeder Cable Systems for Use at 600 Volts Nominal or Less for the Distribution of Electrical Energy in the Television, Film, Live Performance and Event Industries in Canada (revision of ANSI E1.51-2018)

This standard gives guidance on how to safely use single-conductor portable power feeder cable, a power distribution technique about which the Canadian Electrical Code is largely silent.

Single copy price: Free

Obtain an electronic copy from: [https://tsp.esta.org/tsp/documents/public\\_review\\_docs.php](https://tsp.esta.org/tsp/documents/public_review_docs.php)

Send comments (copy [psa@ansi.org](mailto:psa@ansi.org)) to: Karl Ruling <[standards@esta.org](mailto:standards@esta.org)>

### **ESTA (Entertainment Services and Technology Association)**

271 Cadman Plaza, P.O. Box 23200, Brooklyn, NY 11202-3200 | [standards@esta.org](mailto:standards@esta.org), [www.esta.org](http://www.esta.org)

#### **Revision**

BSR E1.60-202x, Guidelines for the Use of Raked Stages in Live Performance Environments (revision of ANSI E1.60-2018)

This standard provides guidance for the use of raked stages in live performance environments to mitigate the risks for the protection of actors and technicians.

Single copy price: Free

Obtain an electronic copy from: [https://tsp.esta.org/tsp/documents/public\\_review\\_docs.php](https://tsp.esta.org/tsp/documents/public_review_docs.php)

Send comments (copy [psa@ansi.org](mailto:psa@ansi.org)) to: Karl Ruling <[standards@esta.org](mailto:standards@esta.org)>

## Comment Deadline: April 8, 2024

### IAPMO (Z) (International Association of Plumbing & Mechanical Officials)

18927 Hickory Creek Drive, Suite 220, Mokena, IL 60448 | [terry.burger@asse-plumbing.org](mailto:terry.burger@asse-plumbing.org), <https://www.iapmostandards.org>

#### ***New Standard***

BSR/IAPMO Z1390-202x, Assistive Tables (new standard)

This standard specifies performance requirements for adult changing tables which would be located in public toilet rooms of commercial buildings. The standard will regulate (1) Size of changing table; (2) Height of table; (3) Structural stability; (4) Railings on side of table; (5) Mounting provisions for wall mounted; (6) Surface requirements which include, cleanability, sanitary surfaces, Nonabsorbent, hidden surfaces and smoothness. Other options to these products will also be defined, such as: movement of table height, swing-down of table, water connections, sanitary connections and wash-down features.

Single copy price: Free

Obtain an electronic copy from: [standards@iapmostandards.org](mailto:standards@iapmostandards.org)

Send comments (copy [psa@ansi.org](mailto:psa@ansi.org)) to: George I Stefan <[standards@iapmostandards.org](mailto:standards@iapmostandards.org)>

### IES (Illuminating Engineering Society)

85 Broad Street, 17th Floor, New York, NY 10004 | [pmcgillicuddy@ies.org](mailto:pmcgillicuddy@ies.org), [www.ies.org](http://www.ies.org)

#### ***New Standard***

BSR/IES LM-98-24-202x, Approved Method: Measuring In-Situ Temperature of Solid-State Lighting Components in Lamps and Luminaires (new standard)

The document defines a method of measurement of the in-situ temperature of SSL components installed in integrated and non-integrated SSL lamps and luminaires. The method describes the procedures to be followed and the precautions to be observed in obtaining and reproducing in-situ temperature of SSL component measurements under standard operating conditions.

Single copy price: \$25.00

Obtain an electronic copy from: [pmcgillicuddy@ies.org](mailto:pmcgillicuddy@ies.org)

Send comments (copy [psa@ansi.org](mailto:psa@ansi.org)) to: Patricia McGillicuddy <[pmcgillicuddy@ies.org](mailto:pmcgillicuddy@ies.org)>

### IES (Illuminating Engineering Society)

85 Broad Street, 17th Floor, New York, NY 10004 | [pmcgillicuddy@ies.org](mailto:pmcgillicuddy@ies.org), [www.ies.org](http://www.ies.org)

#### ***New Standard***

BSR/IES TM-40-202x, Technical Memorandum: IES Method for Determining Correlated Color Temperature (CCT) and Distance from the Planckian Locus of Light Sources (new standard)

(a) This TM will formalize a recommended method for calculating CCT<sub>x</sub> and D<sub>x</sub> so that with the same input, different users can have an identical output; (b) It will provide data to calculate values in the CIE 1960 UCS (i.e., CCT and D<sub>uv</sub>); (c) It will describe how the methods can be applied to other CMFs/UCSs, including a proposed naming convention; (d) It will document limitations of the quantities and provide guidance on appropriate use.

Single copy price: \$25.00

Obtain an electronic copy from: [pmcgillicuddy@ies.org](mailto:pmcgillicuddy@ies.org)

Send comments (copy [psa@ansi.org](mailto:psa@ansi.org)) to: Patricia McGillicuddy <[pmcgillicuddy@ies.org](mailto:pmcgillicuddy@ies.org)>

## Comment Deadline: April 8, 2024

### IES (Illuminating Engineering Society)

85 Broad Street, 17th Floor, New York, NY 10004 | [pmcgillicuddy@ies.org](mailto:pmcgillicuddy@ies.org), [www.ies.org](http://www.ies.org)

#### Revision

BSR/IES TM-32-24-202x, Technical Memorandum: Lighting Parameters for Building Information Modeling (revision of ANSI/IES TM-32-2019)

This Technical Memorandum (TM) provides a recommended standardization of parameters attached to objects, object libraries, or parametric features that represent luminaires for use in many different types of BIM software. This BSR/IES TM-32-24 revision provides specific parameter definitions, and an associated shared parameters file, that are recommended to be used for use when developing lighting content for building information models. For each parameter, the following information is recommended:

- Parameter Grouping;
- Parameter Name;
- Description;
- Tool Tip definition (for use specifically in Autodesk Revit\* );
- Data Type;
- GUID (for use specifically in Autodesk Revit\*).

Single copy price: \$25.00

Obtain an electronic copy from: [pmcgillicuddy@ies.org](mailto:pmcgillicuddy@ies.org)

Send comments (copy [psa@ansi.org](mailto:psa@ansi.org)) to: Patricia McGillicuddy <[pmcgillicuddy@ies.org](mailto:pmcgillicuddy@ies.org)>

### LIA (ASC Z136) (Laser Institute of America)

12001 Research Parkway, Suite 210, Orlando, FL 32828 | [jmccormack@lia.org](mailto:jmccormack@lia.org), [www.laserinstitute.org](http://www.laserinstitute.org)

#### Revision

BSR Z136.7-202x, Testing and Labeling of Laser Protective Equipment (revision of ANSI Z136.7-2020)

This standard addresses emerging laser technology protective requirements, e.g., broad-spectrum laser sources, ultrafast lasers systems, new high-power systems not previously handled; including testing methodology definitions, refinement of testing protocols and data supporting known damage thresholds as a function of laser source parameters and materiel solutions adopted. The scope of this standard is to provide recommendations for the testing requirements and labeling of protective equipment (devices) designed for use with lasers and laser systems that operate at wavelengths between 180 nm and 1 mm.

Single copy price: \$30.00 (Electronic Copy Only)

Obtain an electronic copy from: <https://www.lia.org/store/product/bsrz1367-202x-cdv2-public-review>

Send comments (copy [psa@ansi.org](mailto:psa@ansi.org)) to: John McCormack <[jmccormack@lia.org](mailto:jmccormack@lia.org)>

### NFPA (National Fire Protection Association)

One Batterymarch Park, Quincy, MA 02169 | [dbellis@nfpa.org](mailto:dbellis@nfpa.org), [www.nfpa.org](http://www.nfpa.org)

#### New Standard

BSR/NFPA 1585-202x, Standard for Exposure and Contamination Control (new standard)

This standard shall contain minimum requirements for an exposure and contamination control program for emergency services incident scene operations and training.

Obtain an electronic copy from: [www.nfpa.org/1585Next](http://www.nfpa.org/1585Next)

Send comments (copy [psa@ansi.org](mailto:psa@ansi.org)) to: [www.nfpa.org/1585Next](http://www.nfpa.org/1585Next)

## Comment Deadline: April 8, 2024

### NFPA (National Fire Protection Association)

One Batterymarch Park, Quincy, MA 02169 | [dbellis@nfpa.org](mailto:dbellis@nfpa.org), [www.nfpa.org](http://www.nfpa.org)

#### Revision

BSR/NFPA 13-202x, Standard for the Installation of Sprinkler Systems (revision of ANSI/NFPA 13-2022)

1.1 Scope. This standard shall provide the minimum requirements for the design and installation of automatic fire sprinkler systems and exposure protection sprinkler systems covered within this standard. This standard shall not provide requirements for the design or installation of water mist fire protection systems. NOTE 1 Water mist fire protection systems shall not be considered fire sprinkler systems. NOTE 2 The design and installation of water mist fire protection systems shall comply with NFPA 750. This standard is written with the assumption that the sprinkler system shall be designed to protect against a single fire originating within the building.

Obtain an electronic copy from: [www.nfpa.org/13Next](http://www.nfpa.org/13Next)

Send comments (copy [psa@ansi.org](mailto:psa@ansi.org)) to: [www.nfpa.org/13Next](http://www.nfpa.org/13Next)

### NFPA (National Fire Protection Association)

One Batterymarch Park, Quincy, MA 02169 | [dbellis@nfpa.org](mailto:dbellis@nfpa.org), [www.nfpa.org](http://www.nfpa.org)

#### Revision

BSR/NFPA 13D-202x, Standard for the Installation of Sprinkler Systems in One- and Two-Family Dwellings and Manufactured Homes (revision of ANSI/NFPA 13D-2022)

1.1 Scope. This standard shall cover the design, installation, and maintenance of automatic sprinkler systems for protection against the fire hazards in one- and two-family dwellings, manufactured homes, and townhouses. This standard shall not provide requirements for the design or installation of water-mist fire protection systems, which are not considered fire sprinkler systems and are addressed by NFPA 750. This standard shall be based on the concept that the sprinkler system is designed to protect against a fire originating from a single ignition location.

Obtain an electronic copy from: [www.nfpa.org/13dNext](http://www.nfpa.org/13dNext)

Send comments (copy [psa@ansi.org](mailto:psa@ansi.org)) to: [www.nfpa.org/13dNext](http://www.nfpa.org/13dNext)

### NFPA (National Fire Protection Association)

One Batterymarch Park, Quincy, MA 02169 | [dbellis@nfpa.org](mailto:dbellis@nfpa.org), [www.nfpa.org](http://www.nfpa.org)

#### Revision

BSR/NFPA 13R-202x, Standard for the Installation of Sprinkler Systems in Low-Rise Residential Occupancies (revision of ANSI/NFPA 13R-2022)

1.1 Scope. This standard shall cover the design and installation of automatic sprinkler systems for protection against fire hazards in residential occupancies up to and including four stories in height that are located in buildings not exceeding 60 ft (18 m) in height above grade plane. This standard shall be based on the concept that the sprinkler system is designed to protect against a fire originating from a single ignition location. This standard shall not provide requirements for the design or installation of water-mist fire protection systems, which are not considered fire sprinkler systems and are addressed by NFPA 750.

Obtain an electronic copy from: [www.nfpa.org/13rNext](http://www.nfpa.org/13rNext)

Send comments (copy [psa@ansi.org](mailto:psa@ansi.org)) to: [www.nfpa.org/13rNext](http://www.nfpa.org/13rNext)

## Comment Deadline: April 8, 2024

### **NFPA (National Fire Protection Association)**

One Batterymarch Park, Quincy, MA 02169 | [dbellis@nfpa.org](mailto:dbellis@nfpa.org), [www.nfpa.org](http://www.nfpa.org)

#### **Revision**

BSR/NFPA 20-202x, Standard for the Installation of Stationary Pumps for Fire Protection (revision of ANSI/NFPA 20-2022)

1.1 Scope. This standard deals with the selection and installation of pumps supplying liquid for private fire protection. The scope of this document shall include liquid supplies; suction, discharge, and auxiliary equipment; power supplies, including power supply arrangements; electric drive and control; diesel engine drive and control; steam turbine drive and control; and acceptance tests and operation. This standard does not cover system liquid supply capacity and pressure requirements, nor does it cover requirements for periodic inspection, testing, and maintenance of fire pump systems. This standard does not cover the requirements for installation wiring of fire pump units.

Obtain an electronic copy from: [www.nfpa.org/20Next](http://www.nfpa.org/20Next)

Send comments (copy [psa@ansi.org](mailto:psa@ansi.org)) to: [www.nfpa.org/20Next](http://www.nfpa.org/20Next)

### **NFPA (National Fire Protection Association)**

One Batterymarch Park, Quincy, MA 02169 | [dbellis@nfpa.org](mailto:dbellis@nfpa.org), [www.nfpa.org](http://www.nfpa.org)

#### **Revision**

BSR/NFPA 24-202x, Standard for the Installation of Private Fire Service Mains and Their Appurtenances (revision of ANSI/NFPA 24-2022)

1.1 Scope. This standard shall provide the minimum requirements for the installation of private fire service mains and their appurtenances, which include supplying the following: (1) Automatic sprinkler systems; (2) Open sprinkler systems; (3) Water spray fixed systems; (4) Foam systems; (5) Private hydrants; (6) Monitor nozzles or standpipe systems with reference to water supplies; (7) Hose houses. This standard shall apply to combined service mains intended to carry water for fire service and other uses. This standard shall not apply to the following situations: (1) Mains under the control of a water utility; (2) Mains providing fire protection and/or domestic water that are privately owned but are operated as a water utility; (3) Dry fire hydrants utilized for drafting or mains connected to dry fire hydrants utilized for drafting. This standard shall not apply to underground mains serving sprinkler systems designed and installed in accordance with NFPA 13R that are less than 4 in. (100 mm) in nominal diameter. This standard shall not apply to underground mains serving sprinkler systems designed and installed in accordance with NFPA 13D

Obtain an electronic copy from: [www.nfpa.org/24Next](http://www.nfpa.org/24Next)

Send comments (copy [psa@ansi.org](mailto:psa@ansi.org)) to: [www.nfpa.org/24Next](http://www.nfpa.org/24Next)

## Comment Deadline: April 8, 2024

### **NFPA (National Fire Protection Association)**

One Batterymarch Park, Quincy, MA 02169 | [dbellis@nfpa.org](mailto:dbellis@nfpa.org), [www.nfpa.org](http://www.nfpa.org)

#### **Revision**

BSR/NFPA 40-202x, Standard for the Storage and Handling of Cellulose Nitrate Film (revision of ANSI/NFPA 40-2022)

Although the storage and handling of cellulose nitrate film have a good safety record, fire tests conducted prior to 1967 indicated the desirability of a modification of existing standards. The requirements of this standard, therefore, apply strictly to long-term storage of cellulose nitrate film. This standard shall apply to all facilities that are involved with the storage and handling of cellulose nitrate-based film. Cellulose nitrate-based film includes, but is not limited to, original negative, duplicate negative, interpositive (fine grain), color separation master (YCM), successive exposure master (SEN), optical soundtrack negative or master, mattes, title bands, and release prints. This standard shall not apply to the storage and handling of film having a base other than cellulose nitrate.

Obtain an electronic copy from: [www.nfpa.org/40Next](http://www.nfpa.org/40Next)

Send comments (copy [psa@ansi.org](mailto:psa@ansi.org)) to: [www.nfpa.org/40Next](http://www.nfpa.org/40Next)

### **NFPA (National Fire Protection Association)**

One Batterymarch Park, Quincy, MA 02169 | [dbellis@nfpa.org](mailto:dbellis@nfpa.org), [www.nfpa.org](http://www.nfpa.org)

#### **Revision**

BSR/NFPA 72®-202x, National Fire Alarm and Signaling Code® (revision of ANSI/NFPA 72®-2022)

1.1 Scope. NFPA 72 covers the application, installation, location, performance, inspection, testing, and maintenance of fire alarm systems, supervising station alarm systems, public emergency alarm reporting systems, fire and carbon monoxide detection and warning equipment, and emergency communications systems (ECS), and their components. The provisions of this chapter apply throughout the Code unless otherwise noted. For the purposes of carbon monoxide detection, this standard is primarily concerned with life safety, not property protection.

Obtain an electronic copy from: [www.nfpa.org/72Next](http://www.nfpa.org/72Next)

Send comments (copy [psa@ansi.org](mailto:psa@ansi.org)) to: [www.nfpa.org/72Next](http://www.nfpa.org/72Next)

### **NFPA (National Fire Protection Association)**

One Batterymarch Park, Quincy, MA 02169 | [dbellis@nfpa.org](mailto:dbellis@nfpa.org), [www.nfpa.org](http://www.nfpa.org)

#### **Revision**

BSR/NFPA 80-202x, Standard for Fire Doors and Other Opening Protectives (revision of ANSI/NFPA 80-2022)

1.1 Scope. This standard regulates the installation and maintenance of assemblies and devices used to protect openings in walls, floors, and ceilings against the spread of fire and smoke within, into, or out of buildings. With the exception of fabric fire safety curtain assemblies, this standard addresses assemblies that have been subjected to standardized fire tests. (See Chapter 20.) Incinerator doors, record room doors, and vault doors are not covered in this standard. Requirements for horizontally sliding, vertically sliding, and swinging doors as used in this standard do not apply to hoistway doors for elevators and dumbwaiters. This standard does not cover fire resistance glazing materials and horizontally sliding accordion or folding assemblies fabricated for use as walls and tested as wall assemblies in accordance with ASTM E119, Standard Test Methods for Fire Tests of Building Construction and Materials, or UL 263, Fire Tests of Building Construction and Materials. This standard does not cover requirements for labeled fire door assemblies installed in openings not required to be fire rated.

Obtain an electronic copy from: [www.nfpa.org/80Next](http://www.nfpa.org/80Next)

Send comments (copy [psa@ansi.org](mailto:psa@ansi.org)) to: [www.nfpa.org/80Next](http://www.nfpa.org/80Next)



## Comment Deadline: April 8, 2024

### **NFPA (National Fire Protection Association)**

One Batterymarch Park, Quincy, MA 02169 | [dbellis@nfpa.org](mailto:dbellis@nfpa.org), [www.nfpa.org](http://www.nfpa.org)

#### **Revision**

BSR/NFPA 101A-202x, Guide on Alternative Approaches to Life Safety (revision of ANSI/NFPA 101A-2022)

This guide consists of a number of alternative approaches to life safety. Each chapter is a different system independent of the others and is to be used in conjunction with the 2024 edition of NFPA 101.

Obtain an electronic copy from: [www.nfpa.org/101aNext](http://www.nfpa.org/101aNext)

Send comments (copy [psa@ansi.org](mailto:psa@ansi.org)) to: [www.nfpa.org/101aNext](http://www.nfpa.org/101aNext)

### **NFPA (National Fire Protection Association)**

One Batterymarch Park, Quincy, MA 02169 | [dbellis@nfpa.org](mailto:dbellis@nfpa.org), [www.nfpa.org](http://www.nfpa.org)

#### **Revision**

BSR/NFPA 105-202x, Standard for Smoke Door Assemblies and Other Opening Protectives (revision of ANSI/NFPA 105-2022)

1.1 Scope. This standard shall prescribe minimum requirements for smoke door assemblies for use in providing safety to life and protection of property from smoke.

Obtain an electronic copy from: [www.nfpa.org/105Next](http://www.nfpa.org/105Next)

Send comments (copy [psa@ansi.org](mailto:psa@ansi.org)) to: [www.nfpa.org/105Next](http://www.nfpa.org/105Next)

### **NFPA (National Fire Protection Association)**

One Batterymarch Park, Quincy, MA 02169 | [dbellis@nfpa.org](mailto:dbellis@nfpa.org), [www.nfpa.org](http://www.nfpa.org)

#### **Revision**

BSR/NFPA 110-202x, Standard for Emergency and Standby Power Systems (revision of ANSI/NFPA 110-2022)

1.1 Scope. This standard contains requirements covering the performance of emergency and standby power systems providing an alternate source of electrical power to loads in buildings and facilities in the event that the primary power source fails. Power systems covered in this standard include power sources, transfer equipment, controls, supervisory equipment, and all related electrical and mechanical auxiliary and accessory equipment needed to supply electrical power to the load terminals of the transfer equipment.

Obtain an electronic copy from: [www.nfpa.org/110Next](http://www.nfpa.org/110Next)

Send comments (copy [psa@ansi.org](mailto:psa@ansi.org)) to: [www.nfpa.org/110Next](http://www.nfpa.org/110Next)

## Comment Deadline: April 8, 2024

### **NFPA (National Fire Protection Association)**

One Batterymarch Park, Quincy, MA 02169 | [dbellis@nfpa.org](mailto:dbellis@nfpa.org), [www.nfpa.org](http://www.nfpa.org)

#### **Revision**

BSR/NFPA 111-202x, Standard on Stored Electrical Energy Emergency and Standby Power Systems (revision of ANSI/NFPA 111-2022)

This standard shall cover performance requirements for stored electrical energy systems providing an alternate source of electrical power in buildings and facilities in the event that the normal electrical power source fails. A. For emergency power systems supplied by emergency generators, see NFPA 110, Standard for Emergency and Standby Power Systems. Systems covered in this standard shall include power sources, transfer equipment, controls, supervisory equipment, and accessory equipment, including integral accessory equipment, needed to supply electrical power to the selected circuits. This standard shall cover installation, maintenance, operation, and testing requirements as they pertain to the performance of the stored emergency power supply system (SEPSS). Exclusions: 1. This standard shall not cover the following: (1) Application of the SEPSS; (2) Distribution wiring; (3) Systems having total outputs less than 500 VA or less than 24 V, or systems less than Class 0.033; (4) Unit equipment; (5) Nuclear sources, solar systems, and wind stored-energy systems; (6) Uninterruptible power systems (UPS) supplied by an emergency power supply system (EPSS). 2 The following shall not be within the scope of this standard: (1) Specific...

Obtain an electronic copy from: [www.nfpa.org/111Next](http://www.nfpa.org/111Next)

Send comments (copy [psa@ansi.org](mailto:psa@ansi.org)) to: [www.nfpa.org/111Next](http://www.nfpa.org/111Next)

### **NFPA (National Fire Protection Association)**

One Batterymarch Park, Quincy, MA 02169 | [dbellis@nfpa.org](mailto:dbellis@nfpa.org), [www.nfpa.org](http://www.nfpa.org)

#### **Revision**

BSR/NFPA 150-202x, Fire and Life Safety in Animal Housing Facilities Code (revision of ANSI/NFPA 150-2022)

1.1 Scope. This Code shall provide the minimum requirements for the design, construction, fire protection, and classification of animal housing facilities. Animal housing facilities shall be designed, constructed, and maintained in accordance with the adopted building, fire, and life safety codes and the requirements herein. Where requirements of this Code differ from the adopted fire prevention, life safety, and building codes, the requirements of this Code shall govern the protection of the animal occupants and animal handlers.

Obtain an electronic copy from: [www.nfpa.org/150Next](http://www.nfpa.org/150Next)

Send comments (copy [psa@ansi.org](mailto:psa@ansi.org)) to: [www.nfpa.org/150Next](http://www.nfpa.org/150Next)

### **NFPA (National Fire Protection Association)**

One Batterymarch Park, Quincy, MA 02169 | [dbellis@nfpa.org](mailto:dbellis@nfpa.org), [www.nfpa.org](http://www.nfpa.org)

#### **Revision**

BSR/NFPA 291-202x, Recommended Practice for Water Flow Testing and Marking of Hydrants (revision of ANSI/NFPA 291-2022)

1.1 Scope. The scope of this document is water flow testing and marking of hydrants.

Obtain an electronic copy from: [www.nfpa.org/291Next](http://www.nfpa.org/291Next)

Send comments (copy [psa@ansi.org](mailto:psa@ansi.org)) to: [www.nfpa.org/291Next](http://www.nfpa.org/291Next)

## Comment Deadline: April 8, 2024

### **NFPA (National Fire Protection Association)**

One Batterymarch Park, Quincy, MA 02169 | [dbellis@nfpa.org](mailto:dbellis@nfpa.org), [www.nfpa.org](http://www.nfpa.org)

#### **Revision**

BSR/NFPA 302-202x, Fire Protection Standard for Pleasure and Commercial Motor Craft (revision of ANSI/NFPA 302-2020)

This standard shall establish minimum requirements for the prevention of fire and explosion, for mitigation of carbon monoxide hazards, and for life safety in case of fire, on boats specified in Section 1.3. This standard shall establish minimum requirements for the following: (1) Elimination of ignition sources; (2) Ventilation of accommodation spaces, fuel tank compartments (if separate from machinery spaces), and machinery spaces; (3) Use of combustible materials; (4) Fire-extinguishing equipment and fire exits; (5) Control of fire-extinguishing agents in machinery spaces; (6) Mitigation of carbon monoxide hazards from all sources.

Obtain an electronic copy from: [www.nfpa.org/302Next](http://www.nfpa.org/302Next)

Send comments (copy [psa@ansi.org](mailto:psa@ansi.org)) to: [www.nfpa.org/302Next](http://www.nfpa.org/302Next)

### **NFPA (National Fire Protection Association)**

One Batterymarch Park, Quincy, MA 02169 | [dbellis@nfpa.org](mailto:dbellis@nfpa.org), [www.nfpa.org](http://www.nfpa.org)

#### **Revision**

BSR/NFPA 318-202x, Standard for the Protection of Semiconductor Fabrication Facilities (revision of ANSI/NFPA 318-2021)

1.1 Scope. This standard applies to semiconductor fabrication facilities and comparable fabrication processes, including research and development areas in which hazardous chemicals are used, stored, and handled and containing what is herein defined as a cleanroom or clean zone, or both.

Obtain an electronic copy from: [www.nfpa.org/318Next](http://www.nfpa.org/318Next)

Send comments (copy [psa@ansi.org](mailto:psa@ansi.org)) to: [www.nfpa.org/318Next](http://www.nfpa.org/318Next)

### **NFPA (National Fire Protection Association)**

One Batterymarch Park, Quincy, MA 02169 | [dbellis@nfpa.org](mailto:dbellis@nfpa.org), [www.nfpa.org](http://www.nfpa.org)

#### **Revision**

BSR/NFPA 400-202x, Hazardous Materials Code (revision of ANSI/NFPA 400-2022)

This code shall apply to the storage, use, and handling of the following hazardous materials in all occupancies and facilities: (1) Ammonium nitrate solids and liquids; (2) Corrosive solids and liquids; (3) Flammable solids; (4) Organic peroxide formulations; (5) Oxidizer – solids and liquids; (6) Pyrophoric solids and liquids; (7) Toxic and highly toxic solids and liquids; (8) Unstable (reactive) solids and liquids; (9) Water-reactive solids and liquids; (10) \*Compressed gases and cryogenic fluids as included within the context of NFPA 55, Compressed Gases and Cryogenic Fluids Code NOTE: It is not intended that NFPA 400 regulate compressed gases or cryogenic fluids outside of the scope of NFPA 55, Compressed Gases and Cryogenic Fluids Code, including LPG as regulated by NFPA 58, Liquefied Petroleum Gas Code, fuel gas as regulated by NFPA 54, National Fuel Gas Code, vehicular fuels as regulated by NFPA 52, Vehicular Gaseous Fuel Systems Code, or LNG as regulated by NFPA 59, Utility LP-Gas Plant Code. Refer to the specific exemptions referred to in 2.2. NOTE: Manufacturing operations are covered by this code when the manufacturing operation involves the storage or use of hazardous materials regulated by this code. When quantities exceed Occupational...

Obtain an electronic copy from: [www.nfpa.org/400Next](http://www.nfpa.org/400Next)

Send comments (copy [psa@ansi.org](mailto:psa@ansi.org)) to: [www.nfpa.org/400Next](http://www.nfpa.org/400Next)

## Comment Deadline: April 8, 2024

### **NFPA (National Fire Protection Association)**

One Batterymarch Park, Quincy, MA 02169 | [dbellis@nfpa.org](mailto:dbellis@nfpa.org), [www.nfpa.org](http://www.nfpa.org)

#### **Revision**

BSR/NFPA 801-202x, Standard for Fire Protection for Facilities Handling Radioactive Materials (revision of ANSI/NFPA 801-2020)

This standard addresses fire-protection requirements intended to reduce the risk of fires and explosions at facilities handling radioactive materials. NOTE: The objectives of this standard are to reduce personal hazards, provide protection from property damage, and minimize process interruption resulting from fire and explosion. Radioactive contamination might or might not be a factor in these risks. This standard shall not apply to commercial power-generating reactors that are covered by NFPA 804, Standard for Fire Protection for Advanced Light Water Reactor Electric Generating Plants; NFPA 805, Performance-Based Standard for Fire Protection for Light Water Reactor Electric Generating Plants; and NFPA 806, Performance-Based Standard for Fire Protection for Advanced Nuclear Reactor Electric Generating Plants Change Process.

Obtain an electronic copy from: [www.nfpa.org/801Next](http://www.nfpa.org/801Next)

Send comments (copy [psa@ansi.org](mailto:psa@ansi.org)) to: [www.nfpa.org/801Next](http://www.nfpa.org/801Next)

### **NFPA (National Fire Protection Association)**

One Batterymarch Park, Quincy, MA 02169 | [dbellis@nfpa.org](mailto:dbellis@nfpa.org), [www.nfpa.org](http://www.nfpa.org)

#### **Revision**

BSR/NFPA 2113-202x, Standard on Selection, Care, Use, and Maintenance of Flame-Resistant Garments for Protection of Industrial Personnel Against Short-Duration Thermal Exposures from Fire (revision of ANSI/NFPA 2113-2020)

1.1 Scope. This standard shall specify the minimum selection, care, use, and maintenance requirements for flame-resistant garments for use by industrial personnel in areas at risk from short-duration thermal exposures from industrial fires that are compliant with NFPA 2112. This standard shall not apply to protective clothing for wildland fire fighting, technical rescue, structural fire fighting, proximity fire fighting, or any other fire-fighting operations, or hazardous materials emergencies. This standard shall not apply to protection from electrical flashes, radiological agents, biological agents, or hazardous materials.

Obtain an electronic copy from: [www.nfpa.org/2113Next](http://www.nfpa.org/2113Next)

Send comments (copy [psa@ansi.org](mailto:psa@ansi.org)) to: Same

### **NFRC (National Fenestration Rating Council)**

6305 Ivy Lane, Suite 140, Greenbelt, MD 20770 | [jpadgett@nfr.org](mailto:jpadgett@nfr.org), [www.nfrc.org](http://www.nfrc.org)

#### **Revision**

BSR/NFRC 200-202x EOA2, Procedure for Determining Fenestration Product Solar Heat Gain Coefficient and Visible Transmittance at Normal Incidence (revision of ANSI/NFRC 200-2023 EOA1)

To specify a method for calculating solar heat gain coefficient (SHGC) and visible transmittance (VT) at normal (perpendicular) incidence for fenestration products containing glazings or glazing with applied films, with specular optical properties calculated in accordance with ISO 15099 (except where noted) or tested in accordance with NFRC 201, ANSI/NFRC 202, and ANSI/NFRC 203.

Single copy price: Free

Obtain an electronic copy from: <https://nfrcommunity.org/page/DPR>

Send comments (copy [psa@ansi.org](mailto:psa@ansi.org)) to: [standards@nfr.org](mailto:standards@nfr.org)

## Comment Deadline: April 8, 2024

### NFRC (National Fenestration Rating Council)

6305 Ivy Lane, Suite 140, Greenbelt, MD 20770 | [jpadgett@nfr.org](mailto:jpadgett@nfr.org), [www.nfrc.org](http://www.nfrc.org)

#### Revision

BSR/NFRC 500-202x E0A2, Procedure for Determining Fenestration Product Condensation Index Ratings (revision of ANSI/NFRC 500-2023 E0A1)

This edition of the NFRC Condensation Index procedure includes information from ASTM C 1199, ASTM E 1423, NFRC round robin testing data, and technical interpretations by NFRC. The Condensation Index procedure includes a Simulation Method and a Test Method.

Single copy price: Free

Obtain an electronic copy from: <https://nfrcommunity.org/page/DPR>

Send comments (copy [psa@ansi.org](mailto:psa@ansi.org)) to: [standards@nfrc.org](mailto:standards@nfrc.org)

### NSF (NSF International)

789 N. Dixboro Road, Ann Arbor, MI 48105 | [mmilla@nsf.org](mailto:mmilla@nsf.org), [www.nsf.org](http://www.nsf.org)

#### Revision

BSR/NSF 42-202x (i134r1), Drinking Water Treatment Units - Aesthetic Effects (revision of ANSI/NSF 42-2022)

The point-of-use (POU) and point-of-entry (POE) systems addressed by this standard are designed to be used for the reduction of specific substances that may be present in drinking water (public or private) considered to be microbiologically safe and of known quality. Systems covered under this standard are intended to address one or more of the following: reduce substances affecting the aesthetic quality of the water, add chemicals for scale control, or limit microbial growth in the system (bacteriostatic).

Single copy price: Free

Obtain an electronic copy from: <https://standards.nsf.org/higherlogic/ws/public/download/73288/42i134r1%20et%20al%20-%20600%20Pass-Fail%20Criteria%20Review%20-%20JC%20memo%20%26%20Ballot.pdf>

Send comments (copy [psa@ansi.org](mailto:psa@ansi.org)) to: Monica Milla <[mmilla@nsf.org](mailto:mmilla@nsf.org)>

### NSF (NSF International)

789 N. Dixboro Road, Ann Arbor, MI 48105 | [mmilla@nsf.org](mailto:mmilla@nsf.org), [www.nsf.org](http://www.nsf.org)

#### Revision

BSR/NSF 44-202x (i56r1), Residential Cation Exchange Water Softeners (revision of ANSI/NSF 44-2022)

The manual, auto-initiated, and demand-initiated regeneration (DIR) residential cation exchange water softeners addressed by this standard are designed for the reduction of specific substances that may be present in drinking water (public or private) considered to be microbiologically safe and of known quality. Systems covered under this standard are intended to reduce hardness affecting the aesthetic quality of water.

Single copy price: Free

Obtain an electronic copy from: <https://standards.nsf.org/higherlogic/ws/public/download/73288/42i134r1%20et%20al%20-%20600%20Pass-Fail%20Criteria%20Review%20-%20JC%20memo%20%26%20Ballot.pdf>

Send comments (copy [psa@ansi.org](mailto:psa@ansi.org)) to: Monica Milla <[mmilla@nsf.org](mailto:mmilla@nsf.org)>

## Comment Deadline: April 8, 2024

### NSF (NSF International)

789 N. Dixboro Road, Ann Arbor, MI 48105 | [mmilla@nsf.org](mailto:mmilla@nsf.org), [www.nsf.org](http://www.nsf.org)

#### Revision

BSR/NSF 53-202x (i145r1), Drinking Water Treatment Units - Health Effects (revision of ANSI/NSF 53-2022)

The POU and POE systems addressed by this standard are designed to be used for the reduction of specific substances that may be present in drinking water (public or private) considered to be microbiologically safe and of known quality. Systems covered under this standard are intended to reduce substances that are considered established or potential health hazards.

Single copy price: Free

Obtain an electronic copy from: <https://standards.nsf.org/higherlogic/ws/public/download/73288/42i134r1%20et%20al%20-%20600%20Pass-Fail%20Criteria%20Review%20-%20JC%20memo%20%26%20Ballot.pdf>

Send comments (copy [psa@ansi.org](mailto:psa@ansi.org)) to: Monica Milla <[mmilla@nsf.org](mailto:mmilla@nsf.org)>

### NSF (NSF International)

789 N. Dixboro Road, Ann Arbor, MI 48105 | [mmilla@nsf.org](mailto:mmilla@nsf.org), [www.nsf.org](http://www.nsf.org)

#### Revision

BSR/NSF 55-202x (i67r1), Ultraviolet Microbiological Water Treatment Systems (revision of ANSI/NSF 55-2022)

This standard covers UV microbiological water treatment systems and components for point-of-use (POU) and point-of-entry (POE) applications. This standard covers systems which use UV radiation within the range of 240 nm to 300 nm inclusive.

Single copy price: Free

Obtain an electronic copy from: <https://standards.nsf.org/higherlogic/ws/public/download/73288/42i134r1%20et%20al%20-%20600%20Pass-Fail%20Criteria%20Review%20-%20JC%20memo%20%26%20Ballot.pdf>

Send comments (copy [psa@ansi.org](mailto:psa@ansi.org)) to: Monica Milla <[mmilla@nsf.org](mailto:mmilla@nsf.org)>

### NSF (NSF International)

789 N. Dixboro Road, Ann Arbor, MI 48105 | [mmilla@nsf.org](mailto:mmilla@nsf.org), [www.nsf.org](http://www.nsf.org)

#### Revision

BSR/NSF 58-202x (i99r1), Reverse Osmosis Drinking Water Treatment Systems (revision of ANSI/NSF 58-2022)

The point-of-use (POU) RO drinking water treatment systems addressed by this standard are designed to be used for the reduction of specific substances that may be present in drinking water (public or private) considered to be microbiologically safe and of known quality. Systems covered by this standard are intended for reduction of total dissolved solids (TDS) and other contaminants specified herein.

Single copy price: Free

Obtain an electronic copy from: <https://standards.nsf.org/higherlogic/ws/public/download/73288/42i134r1%20et%20al%20-%20600%20Pass-Fail%20Criteria%20Review%20-%20JC%20memo%20%26%20Ballot.pdf>

Send comments (copy [psa@ansi.org](mailto:psa@ansi.org)) to: Monica Milla <[mmilla@nsf.org](mailto:mmilla@nsf.org)>

## Comment Deadline: April 8, 2024

### NSF (NSF International)

789 N. Dixboro Road, Ann Arbor, MI 48105 | [mmilla@nsf.org](mailto:mmilla@nsf.org), [www.nsf.org](http://www.nsf.org)

#### Revision

BSR/NSF 62-202x (i49r1), Drinking Water Distillation Systems (revision of ANSI/NSF 62-2022)

This standard establishes minimum materials, design and construction, and performance requirements for point-of-use (POU) and point-of-entry (POE) drinking water distillation systems and the components used in these systems. Distillation systems covered by this standard are designed to reduce specific chemical contaminants from potable drinking water supplies.

Single copy price: Free

Obtain an electronic copy from: <https://standards.nsf.org/higherlogic/ws/public/download/73288/42i134r1%20et%20al%20-%20600%20Pass-Fail%20Criteria%20Review%20-%20JC%20memo%20%26%20Ballot.pdf>

Send comments (copy [psa@ansi.org](mailto:psa@ansi.org)) to: Monica Milla <[mmilla@nsf.org](mailto:mmilla@nsf.org)>

### NSF (NSF International)

789 N. Dixboro Road, Ann Arbor, MI 48105 | [mmilla@nsf.org](mailto:mmilla@nsf.org), [www.nsf.org](http://www.nsf.org)

#### Revision

BSR/NSF 244-202x (i24r1), Supplemental Microbiological Water Treatment Systems - Filtration (revision of ANSI/NSF 244-2022)

The point-of-use (POU) and point-of-entry (POE) systems addressed by this standard are designed to be used for the supplemental microbial control of specific organisms that may occasionally be present in drinking water (public or private) because of intermittent incursions.

Single copy price: Free

Obtain an electronic copy from: <https://standards.nsf.org/higherlogic/ws/public/download/73288/42i134r1%20et%20al%20-%20600%20Pass-Fail%20Criteria%20Review%20-%20JC%20memo%20%26%20Ballot.pdf>

Send comments (copy [psa@ansi.org](mailto:psa@ansi.org)) to: Monica Milla <[mmilla@nsf.org](mailto:mmilla@nsf.org)>

### NSF (NSF International)

789 N. Dixboro Road, Ann Arbor, MI 48105 | [mmilla@nsf.org](mailto:mmilla@nsf.org), [www.nsf.org](http://www.nsf.org)

#### Revision

BSR/NSF 401-202x (i38r1), Drinking Water Treatment Units - Emerging Compounds / Incidental Contaminants (revision of ANSI/NSF 401-2022)

The point-of-use (POU) and point-of-entry (POE) systems addressed by this standard are designed to be used for the reduction of specific substances that may be present in drinking water (public or private), considered to be microbiologically safe, and of known quality. Systems covered under this standard are intended to reduce substances that are at very low, yet measurable concentrations, but not at definitive concentrations of known health concern.

Single copy price: Free

Obtain an electronic copy from: <https://standards.nsf.org/higherlogic/ws/public/download/73288/42i134r1%20et%20al%20-%20600%20Pass-Fail%20Criteria%20Review%20-%20JC%20memo%20%26%20Ballot.pdf>

Send comments (copy [psa@ansi.org](mailto:psa@ansi.org)) to: Monica Milla <[mmilla@nsf.org](mailto:mmilla@nsf.org)>

## Comment Deadline: April 8, 2024

### ULSE (UL Standards & Engagement)

1603 Orrington Ave, Evanston, IL 60210 | [alan.t.mcgrath@ul.org](mailto:alan.t.mcgrath@ul.org), <https://ulse.org/>

#### **National Adoption**

BSR/UL 60730-2-6-202X, Standard for Automatic Electrical Controls - Part 2-6: Particular Requirements for Automatic Electrical Pressure Sensing Controls Including Mechanical Requirements (national adoption of IEC 60730-2-6 with modifications and revision of ANSI/UL 60730-2-6-2021)

Proposed requirements for compressed hydrogen gas pressure sensing controls, Annex DVF.

Single copy price: Free

Obtain an electronic copy from: <https://csds.ul.com/ProposalAvailable>

Send comments (copy [psa@ansi.org](mailto:psa@ansi.org)) to: Follow the instructions in the following website to enter comments into the CSDS Work Area: <https://csds.ul.com/ProposalAvailable>

### ULSE (UL Standards & Engagement)

47173 Benicia Street, Fremont, CA 94538 | [Linda.L.Phinney@ul.org](mailto:Linda.L.Phinney@ul.org), <https://ulse.org/>

#### **Reaffirmation**

BSR/UL 1569-2018 (R202x), Standard for Safety for Metal-Clad Cables (reaffirmation of ANSI/UL 1569-2018)  
Reaffirm current American National Standard.

Single copy price: Free

Obtain an electronic copy from: <https://csds.ul.com/ProposalAvailable>

Send comments (copy [psa@ansi.org](mailto:psa@ansi.org)) to: <https://csds.ul.com/ProposalAvailable>

### ULSE (UL Standards & Engagement)

1603 Orrington Ave., Suite 2000, Evanston, IL 60201 | [anna.roessing-zewe@ul.org](mailto:anna.roessing-zewe@ul.org), <https://ulse.org/>

#### **Revision**

BSR/UL 1709-202x, Standard for Rapid Rise Fire Tests of Protection Materials for Structural Steel (revision of ANSI/UL 1709-2022)

1.1 This Standard describes a full-scale test method for measuring the thermal resistance of protective materials, systems, or constructions to rapid-temperature-rise fires. 1.2 Part 1 of this Standard describes the furnace calibration and furnace control requirements.

Single copy price: Free

Obtain an electronic copy from: <https://csds.ul.com/ProposalAvailable>

Send comments (copy [psa@ansi.org](mailto:psa@ansi.org)) to: Follow the instructions in the following website to enter comments into the CSDS Work Area: <https://csds.ul.com/ProposalAvailable>



## Comment Deadline: April 8, 2024

### ULSE (UL Standards & Engagement)

12 Laboratory Drive, Research Triangle Park, NC 27709 | [ashley.seward@ul.org](mailto:ashley.seward@ul.org), <https://ulse.org/>

#### Revision

BSR/UL 8750-202x, Light Emitting Diode (LED) Equipment for Use in Lighting Products (revision of ANSI/UL 8750-2022)

(1) Addition of alternative means of identifying the grounded conductor; (2) Clarifications and additional options - Risk of electric shock and risk of fire; (3) Clarification of requirements for environmental considerations; (4) Harmonization of field-wiring compartment volume with UL 1598 and requirements for polymeric enclosures intended for conduit connection; (5) Clarification of Requirements for Conductors Smaller than 18 AWG; (6) Clarification of Power Supply Cords Requirements; (7) Clarification of Requirements for Special Use LED Arrays, Supplement SJ; (8) Clarifications and corrections to Table SK4.1; (9) Addition of Supplement SL – Requirements for LED Driver Input Power Factor.

Single copy price: Free

Obtain an electronic copy from: <https://csds.ul.com/Home/ProposalsDefault.aspx>

Send comments (copy [psa@ansi.org](mailto:psa@ansi.org)) to: Follow the instructions in the following website to enter comments into the CSDS Work Area: <https://csds.ul.com/Home/ProposalsDefault.aspx>.

## Comment Deadline: April 23, 2024

### ITI (INCITS) (InterNational Committee for Information Technology Standards)

700 K Street NW, Suite 600, Washington, DC 20001 | [kquigley@itic.org](mailto:kquigley@itic.org), [www.incits.org](http://www.incits.org)

#### Revision

BSR/INCITS 322-202x, Information Technology - Card Durability Test Methods (revision of INCITS 322-2015 [R2020])

Describes test methods for the evaluation of identification (ID) card durability. An ID card is defined as a card identifying its holder and issuer which may carry data required as input for the intended use of the card. This revision will review and update the test methods

Single copy price: Free

Obtain an electronic copy from: [https://standards.incits.org/apps/group\\_public/document.php?document\\_id=160409&wg\\_abbrev=eb](https://standards.incits.org/apps/group_public/document.php?document_id=160409&wg_abbrev=eb)

Order from: [https://standards.incits.org/apps/group\\_public/document.php?document\\_id=160409&wg\\_abbrev=eb](https://standards.incits.org/apps/group_public/document.php?document_id=160409&wg_abbrev=eb)

Send comments (copy [psa@ansi.org](mailto:psa@ansi.org)) to: Barbara Bennett <[comments@standards.incits.org](mailto:comments@standards.incits.org)>

### ULSE (UL Standards & Engagement)

100 Queen Street, Suite 1040, Ottawa, ON K1P 1J9 Canada | [celine.eid@ul.org](mailto:celine.eid@ul.org), <https://ulse.org/>

#### Revision

BSR/UL 4402-202x, Standard for Safety for Indoor Air Quality In Buildings and Facilities Utilized for the Cultivation, Production and Processing of Cannabis (revision of ANSI/UL 4402-2022)

(1) Adjust nitrogen dioxide allowable limit and typo corrections of chemical names for NOx and NO2; (2) Update to WHO AQGs Reference; (3) Including ASABE/ASHRAE EP653 in Annex A; (4) Adding a definition for CO2 generators and editing Clause 7.3.1 for Clarity; (5) Revisions to Clause 7.3.2.1.

Single copy price: Free

Order from: <https://csds.ul.com/ProposalAvailable>

Send comments (copy [psa@ansi.org](mailto:psa@ansi.org)) to: Follow the instructions in the following website to enter comments into the CSDS Work Area "<https://csds.ul.com/ProposalAvailable>"

# Final Actions on American National Standards

The standards actions listed below have been approved by the ANSI Board of Standards Review (BSR) or by an ANSI-Audited Designator, as applicable.

---

## **AAFS (American Academy of Forensic Sciences)**

410 North 21st Street, Colorado Springs, CO 80904 | [tambrosius@aafs.org](mailto:tambrosius@aafs.org), [www.aafs.org](http://www.aafs.org)

ANSI/ASB Std 014-2024, Standard for Friction Ridge Examination Training Program (new standard) Final Action Date: 2/15/2024 | *New Standard*

ANSI/ASB Std 015-2024, Standard for Examining Friction Ridge Impressions (new standard) Final Action Date: 2/15/2024 | *New Standard*

ANSI/ASB Std 139-2024, Reporting DNA Conclusions (new standard) Final Action Date: 2/13/2024 | *New Standard*

ANSI/ASB Std 143-2024, Standard for Technical Review in Friction Ridge Examination (new standard) Final Action Date: 2/15/2024 | *New Standard*

ANSI/ASB Std 170-2024, Standard for Veterinary Forensic Postmortem Examination (new standard) Final Action Date: 2/15/2024 | *New Standard*

## **ASME (American Society of Mechanical Engineers)**

Two Park Avenue, M/S 6-2B, New York, NY 10016-5990 | [ansibox@asme.org](mailto:ansibox@asme.org), [www.asme.org](http://www.asme.org)

ANSI/ASME A112.19.1/CSA B45.2-2024, Enamelled Cast Iron and Enamelled Steel Plumbing Fixtures (revision of ANSI/ASME A112.19.1/CSA B45.2-2018) Final Action Date: 2/13/2024 | *Revision*

## **ASTM (ASTM International)**

100 Barr Harbor Drive, West Conshohocken, PA 19428-2959 | [accreditation@astm.org](mailto:accreditation@astm.org), [www.astm.org](http://www.astm.org)

ANSI/ASTM F3312/F3312M-2023, Practice for Liquefied Natural Gas (LNG) Bunkering Hose Transfer Assembly (revision of ANSI/ASTM F3312-2018) Final Action Date: 2/6/2024 | *Revision*

## **CSA (CSA America Standards Inc.)**

8501 East Pleasant Valley Road, Cleveland, OH 44131-5575 | [ansi.contact@csagroup.org](mailto:ansi.contact@csagroup.org), [www.csagroup.org](http://www.csagroup.org)

ANSI/CSA HGV 5.2-2024, Compact Hydrogen Fueling Systems (new standard) Final Action Date: 2/16/2024 | *New Standard*

## **ECIA (Electronic Components Industry Association)**

13873 Park Center Road, Suite 315, Herndon, VA 20171 | [ldonohoe@ecianow.org](mailto:ldonohoe@ecianow.org), [www.ecianow.org](http://www.ecianow.org)

ANSI/EIA 364-65C-2024, Mixed Flowing Gas Test Procedure for Electrical Connectors and Sockets (revision and redesignation of ANSI/EIA 364-65B-2009 (R2020)) Final Action Date: 2/15/2024 | *Revision*

## **NEMA (ASC C8) (National Electrical Manufacturers Association)**

1300 North 17th Street, Suite 900, Arlington, VA 22209 | [Khaled.Masri@nema.org](mailto:Khaled.Masri@nema.org), [www.nema.org](http://www.nema.org)

ANSI C18.3M, Part 2-2024, Portable Lithium Primary Cells and Batteries - Safety Standard (revision of ANSI C18.3M, Part 2-2021) Final Action Date: 2/15/2024 | *Revision*

**NSF (NSF International)**

789 N. Dixboro Road, Ann Arbor, MI 48105-9723 | [arose@nsf.org](mailto:arose@nsf.org), [www.nsf.org](http://www.nsf.org)

ANSI/NSF 4-2024 (i36r1), Commercial Cooking, Rethermalization, and Powered Hot Food Holding and Transportation Equipment (revision of ANSI/NSF 4-2022) Final Action Date: 2/7/2024 | *Revision*

ANSI/NSF 49-2024 (i172r2), Biosafety Cabinetry: Design, Construction, Performance, and Field Certification (revision of ANSI/NSF 49-2022) Final Action Date: 2/9/2024 | *Revision*

ANSI/NSF/CAN 50-2024 (i205r1), Equipment and Chemicals for Swimming Pools, Spas, Hot Tubs, and Other Recreational Water Facilities (revision of ANSI/NSF/CAN 50-2023) Final Action Date: 2/9/2024 | *Revision*

ANSI/NSF/CAN 50-2024 (i207r1), Equipment and Chemicals for Swimming Pools, Spas, Hot Tubs, and Other Recreational Water Facilities (revision of ANSI/NSF/CAN 50-2023) Final Action Date: 2/14/2024 | *Revision*

ANSI/NSF/CAN 60-2024 (i96r1), Drinking Water Treatment Chemicals - Health Effects (revision of ANSI/NSF/CAN 60-2021) Final Action Date: 2/13/2024 | *Revision*

**ULSE (UL Standards & Engagement)**

12 Laboratory Drive, Research Triangle Park, NC 27709-3995 | [tomas.pindur@ul.org](mailto:tomas.pindur@ul.org), <https://ulse.org/>

ANSI/UL 1971-2018 (R2024), Standard for Signaling Devices for the Hearing Impaired (reaffirmation of ANSI/UL 1971-2018) Final Action Date: 2/15/2024 | *Reaffirmation*

ANSI/UL 38-2024, Standard for Manual Signaling Boxes for Fire Alarm Systems (revision of ANSI/UL 38-2023) Final Action Date: 2/12/2024 | *Revision*

ANSI/UL 1564-2024, UL Standard for Safety for Industrial Battery Chargers (revision of ANSI/UL 1564-2020) Final Action Date: 2/13/2024 | *Revision*

ANSI/UL 2225-2024, Standard for Safety for Cables and Cable-Fittings for Use in Hazardous (Classified) Locations (revision of ANSI/UL 2225-2022) Final Action Date: 2/15/2024 | *Revision*

**VITA (VMEbus International Trade Association (VITA))**

929 W. Portobello Avenue, Mesa, AZ 85210 | [jing.kwok@vita.com](mailto:jing.kwok@vita.com), [www.vita.com](http://www.vita.com)

ANSI/VITA 67.3-2023, Coaxial Interconnect on VPX, Spring-Loaded Contact on Backplane (revision of ANSI/VITA 67.3-2022) Final Action Date: 2/13/2024 | *Revision*

# Call for Members (ANS Consensus Bodies)

Directly and materially interested parties who wish to participate as a member of an ANS consensus body for the standards listed are requested to contact the sponsoring developer directly in a timely manner.

---

## ANSI Accredited Standards Developer

### INCITS Executive Board – ANSI Accredited SDO and US TAG to ISO/IEC JTC 1, Information Technology

The InterNational Committee for Information Technology Standards (INCITS), an ANSI accredited SDO, is the forum of choice for information technology developers, producers and users for the creation and maintenance of formal de jure IT standards. INCITS' mission is to promote the effective use of Information and Communication Technology through standardization in a way that balances the interests of all stakeholders and increases the global competitiveness of the member organizations.

The INCITS Executive Board serves as the consensus body with oversight of its 40+ Technical Committees. Additionally, the INCITS Executive Board has the international leadership role as the US Technical Advisory Group (TAG) to ISO/IEC JTC 1, Information Technology.

Membership in the INCITS Executive Board is open to all directly and materially interested parties in accordance with INCITS membership rules. To find out more about participating on the INCITS Executive Board, contact Jennifer Garner at [jgarner@itic.org](mailto:jgarner@itic.org) or visit <http://www.incits.org/participation/membership-info> for more information.

Membership in all interest categories is always welcome; however, the INCITS Executive Board seeks to broaden its membership base in the following underrepresented categories:

- Producer-Software
- Producer-Hardware
- Distributor
- Service Provider
- Users
- Consultants
- Government
- SDO and Consortia Groups
- Academia
- General Interest

## ANSI Accredited Standards Developer

### SCTE (Society of Cable Telecommunications Engineers)

SCTE, an ANSI-accredited SDO, is the primary organization for the creation and maintenance of standards for the cable telecommunications industry. SCTE's standards mission is to develop standards that meet the needs of cable system operators, content providers, network and customer premises equipment manufacturers, and all others who have an interest in the industry through a fair, balanced and transparent process.

SCTE is currently seeking to broaden the membership base of its ANS consensus bodies and is interested in new members in all membership categories to participate in new work in fiber-optic networks, advanced advertising, 3D television, and other important topics. Of particular interest is membership from the content (program and advertising) provider and user communities.

Membership in the SCTE Standards Program is open to all directly and materially affected parties as defined in SCTE's membership rules and operating procedures.

More information is available at [www.scte.org](http://www.scte.org) or by e-mail from [standards@scte.org](mailto:standards@scte.org).

## **ANSI Accredited Standards Developer**

### **AAMI - Association for the Advancement of Medical Instrumentation**

Revision of ISO 23500:2019

**AAMI RD, Renal Disease and Detoxification Committee** is seeking user, and general interest/regulator members to participate in the revision of the ISO 23500:2019, *Preparation and quality management of fluids for haemodialysis and related therapies series standards: Part 1: General requirements; Part 2: Water treatment equipment for haemodialysis applications and related therapies; Part 3, Water for haemodialysis and related therapies; Part 4: Concentrates for haemodialysis and related therapies; Part 5, Quality of dialysis fluids for haemodialysis and related therapies*; Contact: [Jill Zajac JZajac@aami.org](mailto:Jill.Zajac@aami.org)

### **ABYC (American Boat and Yacht Council)**

613 Third Street, Suite 10, Annapolis, MD 21403 | [eparks@abycinc.org](mailto:eparks@abycinc.org), [www.abycinc.org](http://www.abycinc.org)

BSR/ABYC A-22-202x, Compressed Natural Gas (CNG) Systems (revision of ANSI/ABYC A-22-2018)

Interest Categories: Soliciting for categories: Manufacturer - Engines, Insurance/Survey

### **ABYC (American Boat and Yacht Council)**

613 Third Street, Suite 10, Annapolis, MD 21403 | [eparks@abycinc.org](mailto:eparks@abycinc.org), [www.abycinc.org](http://www.abycinc.org)

BSR/ABYC H-29-202x, Canoes and Kayaks (revision of ANSI/ABYC H-29-2022)

Interest Categories: Soliciting consensus body members in these interest categories: Insurance/Survey, Specialist Service

### **ABYC (American Boat and Yacht Council)**

613 Third Street, Suite 10, Annapolis, MD 21403 | [eparks@abycinc.org](mailto:eparks@abycinc.org), [www.abycinc.org](http://www.abycinc.org)

BSR/ABYC P-4-202x, Marine Inboard Engines and Transmission (revision of ANSI/ABYC P-4-2019)

Interest Categories: Soliciting for categories: Manufacturer - Accessory, Insurance/Survey

### **AHRI (Air-Conditioning, Heating, and Refrigeration Institute)**

2311 Wilson Boulevard, Suite 400, Arlington, VA 22201-3001 | [kbest@ahrinet.org](mailto:kbest@ahrinet.org), [www.ahrinet.org](http://www.ahrinet.org)

BSR/AHRI Standard 900-2015 (R202x) (I-P), Performance Rating of Thermal Storage Equipment Used for Cooling (reaffirmation of ANSI/AHRI Standard 900 (I-P)-2015 (R2020))

### **AHRI (Air-Conditioning, Heating, and Refrigeration Institute)**

2311 Wilson Boulevard, Suite 400, Arlington, VA 22201-3001 | [kbest@ahrinet.org](mailto:kbest@ahrinet.org), [www.ahrinet.org](http://www.ahrinet.org)

BSR/AHRI Standard 901-2015 (R202x) (SI), Performance Rating of Thermal Storage Equipment Used for Cooling (reaffirmation of ANSI/AHRI Standard 901 (SI)-2015 (R2020))

### **ASA (ASC S1) (Acoustical Society of America)**

1305 Walt Whitman Road, Suite 300, Melville, NY 11747 | [standards@acousticalsociety.org](mailto:standards@acousticalsociety.org), [www.acousticalsociety.org](http://www.acousticalsociety.org)

BSR/ASA S1.1-2013 (R202x), Acoustical Terminology (reaffirmation of ANSI/ASA S1.1-2013 (R2020))

**ASA (ASC S1) (Acoustical Society of America)**

1305 Walt Whitman Road, Suite 300, Melville, NY 11747 | [standards@acousticalsociety.org](mailto:standards@acousticalsociety.org), [www.acousticalsociety.org](http://www.acousticalsociety.org)

BSR/ASA S1.16-2000 (R202x), Method for Measuring the Performance of Noise Discriminating and Noise Canceling Microphones (reaffirmation of ANSI/ASA S1.16-2000 (R2020))

**ASA (ASC S12) (Acoustical Society of America)**

1305 Walt Whitman Road, Suite 300, Melville, NY 11747 | [standards@acousticalsociety.org](mailto:standards@acousticalsociety.org), [www.acousticalsociety.org](http://www.acousticalsociety.org)

BSR/ASA S12.10-2010/Part 1 (R202x), Standard Acoustics - Measurement of Airborne Noise Emitted by Information Technology and Telecommunications Equipment - Part 1: Determination of Sound Power Level and Emission Sound Pressure Level (reaffirmation of ANSI/ASA S12.10-2010/Part 1 (R2020))

**ASA (ASC S12) (Acoustical Society of America)**

1305 Walt Whitman Road, Suite 300, Melville, NY 11747 | [standards@acousticalsociety.org](mailto:standards@acousticalsociety.org), [www.acousticalsociety.org](http://www.acousticalsociety.org)

BSR/ASA S12.10-2011/Part 2 (R202x), Standard Acoustics - Measurement of Airborne Noise Emitted by Information Technology and Telecommunications Equipment - Part 2: Declaration of Noise Emission Levels (reaffirmation of ANSI/ASA S12.10-2011/Part 2 (R2020))

**ASA (ASC S3) (Acoustical Society of America)**

1305 Walt Whitman Road, Suite 300, Melville, NY 11747 | [standards@acousticalsociety.org](mailto:standards@acousticalsociety.org), [www.acousticalsociety.org](http://www.acousticalsociety.org)

BSR/ASA S3.13-1987 (R202x), Mechanical Coupler for Measurement of Bone Vibrators (reaffirmation of ANSI/ASA S3.13-1987 (R2020))

**CTA (Consumer Technology Association)**

1919 South Eads Street, Arlington, VA 22202 | [cakers@cta.tech](mailto:cakers@cta.tech), [www.cta.tech](http://www.cta.tech)

BSR/CTA 2129-202x, Standard Methodology for Consumer Broadcast Hearing Devices (new standard)

Interest Categories: CTA is seeking new members to join the consensus body to participate in the effort to create CTA -2129. CTA and the R11 Health Fitness & Wellness Committee are particularly interested in adding new members (called "users") who acquire health, fitness and wellness products from those who create them, and in adding new members who neither produce nor use health, fitness or wellness products, and others (called members with a "general interest").

**ICE (Institute for Credentialing Excellence)**

2001 K Street NW, 3rd Floor North, Washington, DC 20006 | [standards@credentialingexcellence.org](mailto:standards@credentialingexcellence.org), [www.credentialingexcellence.org](http://www.credentialingexcellence.org)

BSR/I.C.E. 1100-202x, Standard for Assessment-Based Certificate Programs (revision and redesignation of ANSI/ICE 1100-2019)

**IES (Illuminating Engineering Society)**

85 Broad Street, 17th Floor, New York, NY 10004 | [pmcgillicuddy@ies.org](mailto:pmcgillicuddy@ies.org), [www.ies.org](http://www.ies.org)

BSR/IES LM-98-24-202x, Approved Method: Measuring In-Situ Temperature of Solid-State Lighting Components in Lamps and Luminaires (new standard)

**IES (Illuminating Engineering Society)**

85 Broad Street, 17th Floor, New York, NY 10004 | [pmcgillicuddy@ies.org](mailto:pmcgillicuddy@ies.org), [www.ies.org](http://www.ies.org)

BSR/IES TM-40-202x, Technical Memorandum: IES Method for Determining Correlated Color Temperature (CCT) and Distance from the Planckian Locus of Light Sources (new standard)

**IES (Illuminating Engineering Society)**

85 Broad Street, 17th Floor, New York, NY 10004 | [pmcgillicuddy@ies.org](mailto:pmcgillicuddy@ies.org), [www.ies.org](http://www.ies.org)

BSR/IES TM-32-24-202x, Technical Memorandum: Lighting Parameters for Building Information Modeling (revision of ANSI/IES TM-32-2019)

**ITI (INCITS) (InterNational Committee for Information Technology Standards)**

700 K Street NW, Suite 600, Washington, DC 20001 | [kquigley@itic.org](mailto:kquigley@itic.org), [www.incits.org](http://www.incits.org)

BSR/INCITS 322-202x, Information Technology - Card Durability Test Methods (revision of INCITS 322-2015 [R2020])

**LIA (ASC Z136) (Laser Institute of America)**

12001 Research Parkway, Suite 210, Orlando, FL 32828 | [jmccormack@lia.org](mailto:jmccormack@lia.org), [www.laserinstitute.org](http://www.laserinstitute.org)

BSR Z136.7-202x, Testing and Labeling of Laser Protective Equipment (revision of ANSI Z136.7-2020)

**NFRC (National Fenestration Rating Council)**

6305 Ivy Lane, Suite 140, Greenbelt, MD 20770 | [jpadgett@nfr.org](mailto:jpadgett@nfr.org), [www.nfrc.org](http://www.nfrc.org)

BSR/NFRC 200-202x EOA2, Procedure for Determining Fenestration Product Solar Heat Gain Coefficient and Visible Transmittance at Normal Incidence (revision of ANSI/NFRC 200-2023 EOA1)

**NFRC (National Fenestration Rating Council)**

6305 Ivy Lane, Suite 140, Greenbelt, MD 20770 | [jpadgett@nfr.org](mailto:jpadgett@nfr.org), [www.nfrc.org](http://www.nfrc.org)

BSR/NFRC 500-202x EOA2, Procedure for Determining Fenestration Product Condensation Index Ratings (revision of ANSI/NFRC 500-2023 EOA1)

**NSF (NSF International)**

789 N. Dixboro Road, Ann Arbor, MI 48105 | [mmilla@nsf.org](mailto:mmilla@nsf.org), [www.nsf.org](http://www.nsf.org)

BSR/NSF 42-202x (i134r1), Drinking Water Treatment Units - Aesthetic Effects (revision of ANSI/NSF 42-2022)

**NSF (NSF International)**

789 N. Dixboro Road, Ann Arbor, MI 48105 | [mmilla@nsf.org](mailto:mmilla@nsf.org), [www.nsf.org](http://www.nsf.org)

BSR/NSF 44-202x (i56r1), Residential Cation Exchange Water Softeners (revision of ANSI/NSF 44-2022)

**NSF (NSF International)**

789 N. Dixboro Road, Ann Arbor, MI 48105 | [mmilla@nsf.org](mailto:mmilla@nsf.org), [www.nsf.org](http://www.nsf.org)

BSR/NSF 53-202x (i145r1), Drinking Water Treatment Units - Health Effects (revision of ANSI/NSF 53-2022)

**NSF (NSF International)**

789 N. Dixboro Road, Ann Arbor, MI 48105 | [mmilla@nsf.org](mailto:mmilla@nsf.org), [www.nsf.org](http://www.nsf.org)

BSR/NSF 55-202x (i67r1), Ultraviolet Microbiological Water Treatment Systems (revision of ANSI/NSF 55-2022)

**NSF (NSF International)**

789 N. Dixboro Road, Ann Arbor, MI 48105 | [mmilla@nsf.org](mailto:mmilla@nsf.org), [www.nsf.org](http://www.nsf.org)

BSR/NSF 58-202x (i99r1), Reverse Osmosis Drinking Water Treatment Systems (revision of ANSI/NSF 58-2022)

**NSF (NSF International)**

789 N. Dixboro Road, Ann Arbor, MI 48105 | [mmilla@nsf.org](mailto:mmilla@nsf.org), [www.nsf.org](http://www.nsf.org)

BSR/NSF 62-202x (i49r1), Drinking Water Distillation Systems (revision of ANSI/NSF 62-2022)

**NSF (NSF International)**

789 N. Dixboro Road, Ann Arbor, MI 48105 | [mmilla@nsf.org](mailto:mmilla@nsf.org), [www.nsf.org](http://www.nsf.org)

BSR/NSF 244-202x (i24r1), Supplemental Microbiological Water Treatment Systems - Filtration (revision of ANSI/NSF 244-2022)

**NSF (NSF International)**

789 N. Dixboro Road, Ann Arbor, MI 48105 | [mmilla@nsf.org](mailto:mmilla@nsf.org), [www.nsf.org](http://www.nsf.org)

BSR/NSF 401-202x (i38r1), Drinking Water Treatment Units - Emerging Compounds / Incidental Contaminants (revision of ANSI/NSF 401-2022)

**NSF (NSF International)**

789 N. Dixboro Road, Ann Arbor, MI 48105-9723 | [rbrooker@nsf.org](mailto:rbrooker@nsf.org), [www.nsf.org](http://www.nsf.org)

BSR/NSF 455-2-202x (i57r1), Good Manufacturing Practices for Dietary Supplements (revision of ANSI/NSF 455-2-2022)

**NSF (NSF International)**

789 N. Dixboro Road, Ann Arbor, MI 48105-9723 | [rbrooker@nsf.org](mailto:rbrooker@nsf.org), [www.nsf.org](http://www.nsf.org)

BSR/NSF 455-2-202x (i67r1), Good Manufacturing Practices for Dietary Supplements (revision of ANSI/NSF 455-2-2022)

**NSF (NSF International)**

789 N. Dixboro Road, Ann Arbor, MI 48105-9723 | [rbrooker@nsf.org](mailto:rbrooker@nsf.org), [www.nsf.org](http://www.nsf.org)

BSR/NSF 455-3-202x (i42r1), Good Manufacturing Practices for Cosmetics (addenda to ANSI/NSF 455-3-2022)

**ULSE (UL Standards & Engagement)**

12 Laboratory Drive, Research Triangle Park, NC 27709-3995 | [Nicolette.A.Weeks@ul.org](mailto:Nicolette.A.Weeks@ul.org), <https://ulse.org/>

BSR/UL 1191-202X, Standard for Components for Personal Flotation Devices (revision of ANSI/UL 1191-2023)



# American National Standards (ANS) Process

---

Please visit ANSI's website ([www.ansi.org](http://www.ansi.org)) for resources that will help you to understand, administer and participate in the American National Standards (ANS) process. Documents posted at these links are updated periodically as new documents and guidance are developed, whenever ANS-related procedures are revised, and routinely with respect to lists of proposed and approved ANS. The main ANS-related link is [www.ansi.org/asd](http://www.ansi.org/asd) and here are some direct links as well as highlights of information that is available:

## Where to find Procedures, Guidance, Interpretations and More...

### Please visit ANSI's website ([www.ansi.org](http://www.ansi.org))

- ANSI Essential Requirements: Due process requirements for American National Standards (always current edition):  
[www.ansi.org/essentialrequirements](http://www.ansi.org/essentialrequirements)
- ANSI Standards Action (weekly public review announcements of proposed ANS and standards developer accreditation applications, listing of recently approved ANS, and proposed revisions to ANS-related procedures):  
[www.ansi.org/standardsaction](http://www.ansi.org/standardsaction)
- Accreditation information – for potential developers of American National Standards (ANS):  
[www.ansi.org/sdoaccreditation](http://www.ansi.org/sdoaccreditation)
- ANS Procedures, ExSC Interpretations and Guidance (including a slide deck on how to participate in the ANS process and the BSR-9 form):  
[www.ansi.org/asd](http://www.ansi.org/asd)
- Lists of ANSI-Accredited Standards Developers (ASDs), Proposed ANS and Approved ANS:  
[www.ansi.org/asd](http://www.ansi.org/asd)
- American National Standards Key Steps:  
[www.ansi.org/anskeysteps](http://www.ansi.org/anskeysteps)
- American National Standards Value:  
[www.ansi.org/ansvalue](http://www.ansi.org/ansvalue)
- ANS Web Forms for ANSI-Accredited Standards Developers:  
<https://www.ansi.org/portal/psawebforms/>
- Information about standards Incorporated by Reference (IBR):  
<https://ibr.ansi.org/>
- ANSI - Education and Training:  
[www.standardstolearn.org](http://www.standardstolearn.org)

# American National Standards Under Continuous Maintenance

---

The ANSI Essential Requirements: Due Process Requirements for American National Standards provides two options for the maintenance of American National Standards (ANS): periodic maintenance (see clause 4.7.1) and continuous maintenance (see clause 4.7.2). Continuous maintenance is defined as follows:

The standard shall be maintained by an accredited standards developer. A documented program for periodic publication of revisions shall be established by the standards developer. Processing of these revisions shall be in accordance with these procedures. The published standard shall include a clear statement of the intent to consider requests for change and information on the submittal of such requests. Procedures shall be established for timely, documented consensus action on each request for change and no portion of the standard shall be excluded from the revision process. In the event that no revisions are issued for a period of four years, action to reaffirm or withdraw the standard shall be taken in accordance with the procedures contained in the ANSI Essential Requirements. The Executive Standards Council (ExSC) has determined that for standards maintained under the Continuous Maintenance option, separate PINS announcements are not required. The following ANSI Accredited Standards Developers have formally registered standards under the Continuous Maintenance option.

AAMI (Association for the Advancement of Medical Instrumentation)  
AARST (American Association of Radon Scientists and Technologists)  
AGA (American Gas Association)  
AGSC (Auto Glass Safety Council)  
ASC X9 (Accredited Standards Committee X9, Incorporated)  
ASHRAE (American Society of Heating, Refrigerating and Air-Conditioning Engineers, Inc.)  
ASME (American Society of Mechanical Engineers)  
ASTM (ASTM International)  
GBI (Green Building Initiative)  
HL7 (Health Level Seven)  
Home Innovation (Home Innovation Research Labs)  
IES (Illuminating Engineering Society)  
ITI (InterNational Committee for Information Technology Standards)  
MHI (Material Handling Industry)  
NBBPVI (National Board of Boiler and Pressure Vessel Inspectors)  
NCPDP (National Council for Prescription Drug Programs)  
NEMA (National Electrical Manufacturers Association)  
NFRC (National Fenestration Rating Council)  
NISO (National Information Standards Organization)  
NSF (NSF International)  
PRCA (Professional Ropes Course Association)  
RESNET (Residential Energy Services Network, Inc.)  
SAE (SAE International)  
TCNA (Tile Council of North America)  
TIA (Telecommunications Industry Association)  
TMA (The Monitoring Association)  
ULSE (UL Standards & Engagement)

To obtain additional information with regard to these standards, including contact information at the ANSI Accredited Standards Developer, please visit ANSI Online at [www.ansi.org/asd](http://www.ansi.org/asd), select "American National Standards Maintained Under Continuous Maintenance." Questions? [psa@ansi.org](mailto:psa@ansi.org).

# ANSI-Accredited Standards Developers (ASD) Contacts

The addresses listed in this section are to be used in conjunction with standards listed in PINS, Call for Comment, Call for Members and Final Actions. This section is a list of developers who have submitted standards for this issue of *Standards Action* – it is not intended to be a list of all ANSI-Accredited Standards Developers. Please send all address corrections to the PSA Department at [psa@ansi.org](mailto:psa@ansi.org).

## **AAFS**

American Academy of Forensic Sciences  
410 North 21st Street  
Colorado Springs, CO 80904  
[www.aafs.org](http://www.aafs.org)

Teresa Ambrosius  
[tambrosius@aafs.org](mailto:tambrosius@aafs.org)

## **ABYC**

American Boat and Yacht Council  
613 Third Street, Suite 10  
Annapolis, MD 21403  
[www.abycinc.org](http://www.abycinc.org)

Emily Parks  
[eparks@abycinc.org](mailto:eparks@abycinc.org)

## **ACCA**

Air Conditioning Contractors of America  
1520 Belle View Boulevard, #5220  
Alexandria, VA 22307  
[www.acca.org](http://www.acca.org)

David Bixby  
[david.bixby@acca.org](mailto:david.bixby@acca.org)

## **AHRI**

Air-Conditioning, Heating, and Refrigeration  
Institute  
2311 Wilson Boulevard, Suite 400  
Arlington, VA 22201  
[www.ahrinet.org](http://www.ahrinet.org)

Karl Best  
[kbest@ahrinet.org](mailto:kbest@ahrinet.org)

## **APCO**

Association of Public-Safety  
Communications Officials-International  
351 N. Williamson Boulevard  
Daytona Beach, FL 32114  
[www.apcolntl.org](http://www.apcolntl.org)

Mindy Adams  
[apcostandards@apcointl.org](mailto:apcostandards@apcointl.org)

## **ASA (ASC S1)**

Acoustical Society of America  
1305 Walt Whitman Road, Suite 300  
Melville, NY 11747  
[www.acousticalsociety.org](http://www.acousticalsociety.org)

Raegan Ripley  
[standards@acousticalsociety.org](mailto:standards@acousticalsociety.org)

## **ASA (ASC S12)**

Acoustical Society of America  
1305 Walt Whitman Road, Suite 300  
Melville, NY 11747  
[www.acousticalsociety.org](http://www.acousticalsociety.org)

Raegan Ripley  
[standards@acousticalsociety.org](mailto:standards@acousticalsociety.org)

## **ASA (ASC S3)**

Acoustical Society of America  
1305 Walt Whitman Road, Suite 300  
Melville, NY 11747  
[www.acousticalsociety.org](http://www.acousticalsociety.org)

Raegan Ripley  
[standards@acousticalsociety.org](mailto:standards@acousticalsociety.org)

## **ASME**

American Society of Mechanical Engineers  
Two Park Avenue, M/S 6-2B  
New York, NY 10016  
[www.asme.org](http://www.asme.org)

Terrell Henry  
[ansibox@asme.org](mailto:ansibox@asme.org)

## **ASSP (Safety)**

American Society of Safety Professionals  
520 N. Northwest Highway  
Park Ridge, IL 60068  
[www.assp.org](http://www.assp.org)

Rick Blanchette  
[rblanchette@assp.org](mailto:rblanchette@assp.org)

## **ASTM**

ASTM International  
100 Barr Harbor Drive  
West Conshohocken, PA 19428  
[www.astm.org](http://www.astm.org)

Laura Klineburger  
[accreditation@astm.org](mailto:accreditation@astm.org)

Lauren Daly  
[accreditation@astm.org](mailto:accreditation@astm.org)

## **AWWA**

American Water Works Association  
6666 W. Quincy Avenue  
Denver, CO 80235  
[www.awwa.org](http://www.awwa.org)

Madeline Rohr  
[mrohr@awwa.org](mailto:mrohr@awwa.org)

## **CSA**

CSA America Standards Inc.  
8501 East Pleasant Valley Road  
Cleveland, OH 44131  
[www.csagroup.org](http://www.csagroup.org)

Debbie Chesnik  
[ansi.contact@csagroup.org](mailto:ansi.contact@csagroup.org)

## **CTA**

Consumer Technology Association  
1919 South Eads Street  
Arlington, VA 22202  
[www.cta.tech](http://www.cta.tech)

Catrina Akers  
[cakers@cta.tech](mailto:cakers@cta.tech)

## **ECIA**

Electronic Components Industry  
Association  
13873 Park Center Road, Suite 315  
Herndon, VA 20171  
[www.ecianow.org](http://www.ecianow.org)

Laura Donohoe  
[ldonohoe@ecianow.org](mailto:ldonohoe@ecianow.org)

## **ESTA**

Entertainment Services and Technology  
Association  
271 Cadman Plaza, P.O. Box 23200  
Brooklyn, NY 11202  
[www.esta.org](http://www.esta.org)

Richard Nix  
[standards@esta.org](mailto:standards@esta.org)

## **IAPMO (ASSE Chapter)**

ASSE International Chapter of IAPMO  
18927 Hickory Creek Drive, Suite 220  
Mokena, IL 60448  
[www.asse-plumbing.org](http://www.asse-plumbing.org)

Terry Burger  
[terry.burger@asse-plumbing.org](mailto:terry.burger@asse-plumbing.org)

## **IAPMO (Z)**

International Association of Plumbing &  
Mechanical Officials  
18927 Hickory Creek Drive, Suite 220  
Mokena, IL 60448  
<https://www.iapmostandards.org>

Terry Burger  
[terry.burger@asse-plumbing.org](mailto:terry.burger@asse-plumbing.org)

<p><b>ICE</b> Institute for Credentialing Excellence 2001 K Street NW, 3rd Floor North Washington, DC 20006 www.credentialingexcellence.org</p> <p>Liz Dombrowski standards@credentialingexcellence.org</p>	<p><b>NFRC</b> National Fenestration Rating Council 6305 Ivy Lane, Suite 140 Greenbelt, MD 20770 www.nfrc.org</p> <p>Jen Padgett jpadgett@nfrc.org</p>	<p>Vickie Hinton Vickie.T.Hinton@ul.org</p>
<p><b>IES</b> Illuminating Engineering Society 85 Broad Street, 17th Floor New York, NY 10004 www.ies.org</p> <p>Patricia McGillicuddy pmcgillicuddy@ies.org</p>	<p><b>NSF</b> NSF International 789 N. Dixboro Road Ann Arbor, MI 48105 www.nsf.org</p> <p>Allan Rose arose@nsf.org</p>	<p><b>ULSE</b> UL Standards &amp; Engagement 1603 Orrington Ave Evanston, IL 60201 https://ulse.org/</p> <p>Christina Riemer christina.riemer@ul.org</p>
<p><b>ITI (INCITS)</b> InterNational Committee for Information Technology Standards 700 K Street NW, Suite 600 Washington, DC 20001 www.incits.org</p> <p>Kim Quigley kquigley@itic.org</p>	<p><b>NSF</b> NSF International 789 N. Dixboro Road Ann Arbor, MI 48105 www.nsf.org</p> <p>Allan Rose arose@nsf.org</p> <p>Jessica Evans jevans@nsf.org</p> <p>Monica Leslie mleslie@nsf.org</p> <p>Monica Milla mmilla@nsf.org</p> <p>Rachel Brooker rbrooker@nsf.org</p>	<p><b>ULSE</b> UL Standards &amp; Engagement 1603 Orrington Ave Evanston, IL 60210 https://ulse.org/</p> <p>Alan McGrath alan.t.mcgrath@ul.org</p>
<p><b>LIA (ASC Z136)</b> Laser Institute of America 12001 Research Parkway, Suite 210 Orlando, FL 32828 www.laserinstitute.org</p> <p>John McCormack jmccormack@lia.org</p>	<p><b>PMI (Organization)</b> Project Management Institute 18 Campus Boulevard, Suite 150 Newtown Square, PA 19073 www.pmi.org</p> <p>Lorna Scheel lorna.scheel@pmi.org</p>	<p><b>ULSE</b> UL Standards &amp; Engagement 1603 Orrington Ave, Suite 2000 Evanston, IL 60201 https://ulse.org/</p> <p>Megan Van Heirseele Megan.M.VanHeirseele@ul.org</p>
<p><b>NASBLA</b> National Association of State Boating Law Administrators 1020 Monarch Street, Suite 200 Lexington, KY 40513 www.nasbla.org</p> <p>Kaci Christopher Kaci.christopher@nasbla.org</p>	<p><b>ULSE</b> UL Standards &amp; Engagement 100 Queen Street, Suite 1040 Ottawa, ON K1P 1 https://ulse.org/</p> <p>Celine Eid celine.eid@ul.org</p>	<p><b>ULSE</b> UL Standards &amp; Engagement 1603 Orrington Ave., Suite 2000 Evanston, IL 60201 https://ulse.org/</p> <p>Anna Roessing-Zewe anna.roessing-zewe@ul.org</p>
<p><b>NEMA (ASC C8)</b> National Electrical Manufacturers Association 1300 North 17th Street, Suite 900 Arlington, VA 22209 www.nema.org</p> <p>Khaled Masri Khaled.Masri@nema.org</p>	<p><b>ULSE</b> UL Standards &amp; Engagement 12 Laboratory Drive Research Triangle Park, NC 27709 https://ulse.org/</p> <p>Anne Marie Jacobs annemarie.jacobs@ul.org</p> <p>Ashley Seward ashley.seward@ul.org</p>	<p><b>ULSE</b> UL Standards &amp; Engagement 47173 Benicia Street Fremont, CA 94538 https://ulse.org/</p> <p>Linda Phinney Linda.L.Phinney@ul.org</p>
<p><b>NFPA</b> National Fire Protection Association One Batterymarch Park Quincy, MA 02169 www.nfpa.org</p> <p>Dawn Michele Bellis dbellis@nfpa.org</p>	<p><b>ULSE</b> UL Standards &amp; Engagement 12 Laboratory Drive Research Triangle Park, NC 27709 https://ulse.org/</p> <p>Anne Marie Jacobs annemarie.jacobs@ul.org</p> <p>Ashley Seward ashley.seward@ul.org</p> <p>Grayson Flake Grayson.Flake@ul.org</p> <p>Nicolette Weeks Nicolette.A.Weeks@ul.org</p> <p>Tomas Pindur tomas.pindur@ul.org</p>	<p><b>VITA</b> VMEbus International Trade Association (VITA) 929 W. Portobello Avenue Mesa, AZ 85210 www.vita.com</p> <p>Jing Kwok jing.kwok@vita.com</p>

# ISO & IEC Draft International Standards



This section lists proposed standards that the International Organization for Standardization (ISO) and the International Electrotechnical Commission (IEC) are considering for approval. The proposals have received substantial support within the technical committees or subcommittees that developed them and are now being circulated to ISO and IEC members for comment and vote. Standards Action readers interested in reviewing and commenting on these documents should order copies from ANSI.

## COMMENTS

Comments regarding ISO documents should be sent to ANSI's ISO Team ([isot@ansi.org](mailto:isot@ansi.org)); comments on ISO documents must be submitted electronically in the approved ISO template and as a Word document as other formats will not be accepted.

Those regarding IEC documents should be sent to Tony Zertuche, General Secretary, USNC/IEC, at ANSI's New York offices ([tzertuche@ansi.org](mailto:tzertuche@ansi.org)). The final date for offering comments is listed after each draft.

## ORDERING INSTRUCTIONS

ISO and IEC Drafts can be made available by contacting ANSI's Customer Service department. Please e-mail your request for an ISO or IEC Draft to Customer Service at [sales@ansi.org](mailto:sales@ansi.org). When making your request, please provide the date of the Standards Action issue in which the draft document you are requesting appears.

## ISO Standards

### Acoustics (TC 43)

ISO/DIS 13473-5, Characterization of pavement texture by use of surface profiles - Part 5: Determination of megatexture - 5/5/2024, \$107.00

### Agricultural food products (TC 34)

ISO/DIS 1003, Spices and condiments- Dried Ginger (*Zingiber officinale* Roscoe) - Whole/ Pieces & Ground - Specification - 5/3/2024, \$46.00

### Air quality (TC 146)

ISO/DIS 12219-12, Interior air of road vehicles - Part 12: Artificial leather made from PVC or Polyurethane- Specification and methods for the determination of fogging characteristics of trim materials in the interior of automobiles - 5/3/2024, \$67.00

### Aircraft and space vehicles (TC 20)

ISO/DIS 15104, Space systems - Environmental testing for spacecraft thermal control materials - 5/3/2024, \$88.00

ISO/DIS 7718-1, Aircraft - Passenger doors interface requirements for connection of passenger boarding bridge or passenger transfer vehicle - Part 1: Main deck doors - 5/4/2024, \$33.00

ISO/DIS 7718-2, Aircraft - Passenger doors interface requirements for connection of passenger boarding bridge or passenger transfer vehicle - Part 2: Upper deck doors - 5/4/2024, \$33.00

### Cranes (TC 96)

ISO/DIS 4301-5, Cranes - Classification - Part 5: Bridge and gantry cranes - 5/6/2024, \$40.00

### Domestic gas cooking appliances (TC 291)

ISO/DIS 21364-1, Domestic gas cooking appliances - Safety - Part 1: General requirements - 5/9/2024, \$155.00

### Ergonomics (TC 159)

ISO/DIS 9241-161, Ergonomics of human-system interaction - Part 161: Guidance on visual user-interface elements - 5/2/2024, \$134.00

### Floor coverings (TC 219)

ISO/DIS 14486, Laminate floor coverings - Specification - 5/5/2024, \$46.00

### Gas cylinders (TC 58)

ISO/DIS 10286, Gas cylinders - Vocabulary - 5/5/2024, \$134.00

### Implants for surgery (TC 150)

ISO/DIS 5092, Additive manufacturing for medical - General principles - Additive manufacturing of non-active implants - 5/6/2024, \$58.00

### Materials, equipment and offshore structures for petroleum and natural gas industries (TC 67)

ISO/DIS 13503-2, Oil and gas industries including lower carbon energy - Completion fluids and materials - Part 2: Measurement of properties of proppants used in hydraulic fracturing and gravel-packing operations - 5/2/2024, \$46.00

### Paper, board and pulps (TC 6)

ISO/DIS 3036, Board - Determination of puncture resistance using a pendulum device - 5/9/2024, \$53.00

### Plastics (TC 61)

ISO/DIS 11357-5, Plastics - Differential scanning calorimetry (DSC) - Part 5: Determination of characteristic reaction-curve temperatures and times, enthalpy of reaction and degree of conversion - 5/3/2024, \$46.00

**Screw threads (TC 1)**

ISO/DIS 965-5, ISO general purpose metric screw threads - Tolerances - Part 5: Limits of sizes for internal threads to mate with hot dip galvanized external threads with maximum size of tolerance position h before galvanizing - 5/9/2024, \$40.00

**Sieves, sieving and other sizing methods (TC 24)**

ISO/DIS 13099-2, Colloidal systems - Methods for zeta-potential determination - Part 2: Optical methods - 5/4/2024, \$77.00

**Sizing systems and designations for clothes (TC 133)**

ISO/DIS 8559-2, Size designation of clothes - Part 2: Primary and secondary dimension indicators - 5/4/2024, \$112.00

**Small craft (TC 188)**

ISO/DIS 23625, Small craft - Lithium-ion batteries - 5/2/2024, \$67.00

**(TC 321)**

ISO/DIS 32112, Transaction assurance in e-commerce - Relevant factors of evaluation and selection of indicators - 5/9/2024, \$71.00

**Traditional Chinese medicine (TC 249)**

ISO/DIS 5106, Traditional Chinese Medicine--Polygala tenuifolia and Polygala sibirica root - 5/6/2024, \$62.00

ISO/DIS 5471, Traditional Chinese medicine - Carthamus tinctorius flower - 5/3/2024, \$62.00

ISO/DIS 19836, Traditional Chinese medicine - Platycodon grandiflorus root - 5/2/2024, \$62.00

ISO/DIS 19851, Traditional Chinese medicine - Cinnamomum cassia branch - 5/4/2024, \$67.00

**ISO/IEC JTC 1, Information Technology**

ISO/IEC 19794-14:2022/DAmD 1, - Amendment 1: Information technology - Biometric data interchange formats - Part 14: DNA data - Amendment 1: Conformance requirements - 5/6/2024, \$67.00

**IEC Standards****Audio, video and multimedia systems and equipment (TC 100)**

100/4114/NP, PNW 100-4114 ED1: Audio, video, and related equipment - Determination of power consumption - Part 8: Small Network Equipment, 05/10/2024

100/4115/NP, PNW 100-4115 ED1: Portable multimedia equipment - Determination of battery duration - Part 3: Wearable powered loudspeaker equipment, 05/10/2024

**Cables, wires, waveguides, r.f. connectors, and accessories for communication and signalling (TC 46)**

46/992(F)/FDIS, IEC 62153-4-15/AMD1 ED2: Amendment 1 - Metallic cables and other passive components test methods - Part 4-15: Electromagnetic compatibility (EMC) related test method for measuring transfer impedance and screening attenuation or coupling attenuation with triaxial cell, 03/22/2024

46F/667/NP, PNW 46F-667 ED1: Radio-frequency connectors - Part 74: Sectional specification for HN series RF coaxial connectors with screw coupling - Characteristic impedance 50 ohms, 05/10/2024

**Dependability (TC 56)**

56/2047/CD, IEC 62402-3 ED1: Obsolescence Management Part 3: Exchange of information regarding change and discontinuance of products, 05/10/2024

**Documentation and graphical symbols (TC 3)**

3/1651(F)/FDIS, IEC 81355-1 ED1: Industrial systems, installations and equipment and industrial products - Classification and designation of information - Part 1: Basic rules and classification of information, 03/15/2024

**Electric road vehicles and electric industrial trucks (TC 69)**

69/942/NP, PNW 69-942 ED1: Information exchange for electric vehicle charging roaming service Part 3: Message structure, 04/12/2024

**Electrical accessories (TC 23)**

23B/1502/CD, IEC 63418 ED1: Fixed accessories intended for household and similar purposes that supply power through an interface, 05/10/2024

**Electrical Energy Storage (EES) Systems (TC 120)**

120/358/FDIS, IEC 62933-1 ED2: Electrical energy storage (EES) systems - Part 1: Vocabulary, 03/29/2024

**Electrical equipment in medical practice (TC 62)**

62D/2117/FDIS, ISO 5363 ED1: Robotics - Test methods for exoskeleton-type walking RACA robot, 03/29/2024

**Electrical installations of buildings (TC 64)**

64/2651(F)/CDV, IEC 60364-1 ED6: Low-voltage electrical installations - Part 1: Fundamental principles, assessment of general characteristics, definitions, 04/05/2024

**Electromagnetic compatibility (TC 77)**

77B/884(F)/CDV, IEC 61000-4-41 ED1: Electromagnetic compatibility (EMC) - Part 4-41: Testing and measurement techniques - Broadband radiated immunity tests, 05/03/2024

## Evaluation and Qualification of Electrical Insulating Materials and Systems (TC 112)

112/630(F)/FDIS, IEC 63177 ED1: Test method for compatibility of construction materials with electrical insulating liquids, 03/08/2024

### Fibre optics (TC 86)

86A/2438/FDIS, IEC 60794-1-201 ED1: Optical fibre cables - Part 1-201: Generic specification - Basic optical cable test procedures - Environmental test methods - Temperature cycling, Method F1, 03/29/2024

86B/4868(F)/FDIS, IEC 60875-1 ED7: Fibre optic interconnecting devices and passive components - Non-wavelength-selective fibre optic branching devices - Part 1: Generic specification, 03/15/2024

86B/4875/FDIS, IEC 61300-2-27 ED2: Fibre optic interconnecting devices and passive components - Basic test and measurement procedures - Part 2-27: Tests - Dust - Laminar flow, 03/29/2024

86B/4867(F)/FDIS, IEC 61753-082-02 ED1: Fibre optic interconnecting devices and passive components - Performance standard - Part 082-02: Pigtailed single-mode fibre optic 1,31/1,55 m WDM devices for category C - Indoor controlled environment, 03/15/2024

86B/4874/FDIS, IEC 61754-13 ED3: Fibre optic interconnecting devices and passive components - Fibre optic connector interfaces - Part 13: Type FC-PC connector family, 03/29/2024

86B/4866(F)/FDIS, IEC 61978-1 ED4: Fibre optic interconnecting devices and passive components - Fibre optic passive chromatic dispersion compensators - Part 1: Generic specification, 03/15/2024

### Fuel Cell Technologies (TC 105)

105/1034/FDIS, IEC 62282-8-201 ED2: Fuel cell technologies - Part 8-201: Energy storage systems using fuel cell modules in reverse mode - Test procedures for the performance of power-to-power systems, 03/29/2024

105/1035/NP, PNW 105-1035 ED1: Unmanned aircraft systems - General requirements and test methods for the hydrogen fuel gas pipes of gaseous hydrogen fuel cell powered UAV, 05/10/2024

105/1036/NP, PNW 105-1036 ED1: Unmanned aircraft systems - General requirements and test methods for the attachable hydrogen cylinders of gaseous hydrogen fuel cell powered UAV, 05/10/2024

### Fuses (TC 32)

32B/743/FDIS, IEC 60269-2/AMD2 ED5: Amendment 2 - Low-voltage fuses - Part 2: Supplementary requirements for fuses for use by authorized persons (fuses mainly for industrial application) - Examples of standardized systems of fuses A to K, 03/29/2024

### Nuclear instrumentation (TC 45)

45A/1520/CD, IEC 63413 ED1: Nuclear Power Plants - Instrumentation and control systems important to safety - Platform qualification, 05/10/2024

45/971/CD, IEC 63506 ED1: Calibration of the prompt fission neutron logging tools, 05/10/2024

45/970/NP, PNW 45-970 ED1: Linear accelerator - Electron linear accelerator for radiation processing - Part 1: General requirement and testing method, 05/10/2024

### Power system control and associated communications (TC 57)

57/2639(F)/CDV, IEC 62351-7 ED2: Power systems management and associated information exchange - Data and communications security - Part 7: Network and System Management (NSM) data object models, 05/03/2024

### Rotating machinery (TC 2)

2/2175(F)/CDV, IEC 60413 ED2: Test procedures for determining physical properties of brush materials for electrical machines, 05/03/2024

### Safety of hand-held motor-operated electric tools (TC 116)

116/740/FDIS, IEC 62841-2-7 ED1: Electric motor-operated hand-held tools, transportable tools and lawn and garden machinery - Safety - Part 2-7: Particular requirements for hand-held spray guns, 03/29/2024

116/741/NP, PNW 116-741 ED1: Electric motor-operated tools - Dust measurement procedure - Part 2-19: Particular requirements for hand-held jointers, 05/10/2024

116/742/NP, PNW 116-742 ED1: Electric motor-operated tools - Dust measurement procedure - Part 3-1: Particular requirements for transportable table saws, 05/10/2024

### Secondary cells and batteries (TC 21)

21/1193/FDIS, IEC 63330-1 ED1: Repurposing of secondary batteries - Part 1: General requirements, 03/29/2024

### Semiconductor devices (TC 47)

47/2840/NP, PNW 47-2840 ED1: IEC 63XXX-1 for SEMICONDUCTOR DEVICES - Reliability evaluation methods for vibration energy harvesters - Part 1: Mechanical reliability under shock, 05/10/2024

**Small power transformers and reactors and special transformers and reactors (TC 96)**

96/589/FDIS, IEC 61558-2-10 ED2: Safety of transformers, reactors, power supply units and combinations thereof - Part 2 -10: Particular requirements and tests for separating transformers with high insulation level and separating transformers with output voltages exceeding 1 000 V, 03/29/2024

96/590/FDIS, IEC 61558-2-23 ED3: Safety of transformers, reactors, power supply units and combinations thereof - Part 2 -23: Particular requirements and tests for transformers and power supply units for construction sites, 03/29/2024

**Solar photovoltaic energy systems (TC 82)**

82/2230/CD, IEC 63349-1 ED1: Photovoltaic direct-driven appliance controllers - Part 1: General requirement, 04/12/2024

**Standard voltages, current ratings and frequencies (TC 8)**

8/1695/DTR, IEC TR 63282 ED2: LVDC systems - Assessment of standard voltages and power quality requirements, 04/12/2024

**Surface mounting technology (TC 91)**

91/1935/FDIS, IEC 61189-2-808 ED1: Test methods for electrical materials, printed board and other interconnection structures and assemblies - Part 2-808: Thermal resistance of an assembly by thermal transient method, 03/29/2024

**Switchgear and controlgear (TC 17)**

17C/930/DTS, IEC TS 62271-318 ED1: High-voltage switchgear and controlgear - Part 318: DC gas-insulated metal-enclosed switchgear for rated voltages including and above 100 kV, 04/12/2024

**Ultrasonics (TC 87)**

87/848/NP, PNW TS 87-848 ED1: Ultrasonics Field characterization Specification and measurement of field parameters at high pressure therapeutic levels in water, 05/10/2024

87/849/NP, PNW TS 87-849 ED1: Ultrasonics Field characterization Measurement-based simulation in water and other media, 05/10/2024

**Winding wires (TC 55)**

55/2040/CD, IEC TS 63263 ED1: Winding wires - Test methods - Electrical endurance under high frequency voltage impulses, 06/07/2024

**ISO/IEC JTC 1, Information Technology****(TC )**

JTC1-SC25/3222/CD, ISO/IEC 10192-4-3: Information technology - Home Electronic System (HES) interfaces - Part 4 -3: Common user interface and cluster-to-cluster interface to support interworking among home cluster systems - Messaging, 04/12/2024





# Newly Published ISO & IEC Standards

Listed here are new and revised standards recently approved and promulgated by ISO - the International Organization for Standardization – and IEC – the International Electrotechnical Commission. Most are available at the ANSI Electronic Standards Store (ESS) at [www.ansi.org](http://www.ansi.org). All paper copies are available from Standards resellers (<http://webstore.ansi.org/faq.aspx#resellers>).

## ISO Standards

### Agricultural food products (TC 34)

[ISO 7158:2024](#), Meat and meat products - Determination of nitrite and nitrate content - Ion chromatography method, \$77.00

### Air quality (TC 146)

[ISO 7935:2024](#), Stationary source emissions - Determination of the mass concentration of sulfur dioxide in flue gases - Performance characteristics of automated measuring systems, \$210.00

### Aircraft and space vehicles (TC 20)

[ISO 17546:2024](#), Space systems - Lithium ion battery for space vehicles - Design and verification requirements, \$237.00

[ISO 27996:2024](#), Aerospace fluid systems - Elastomer seals - Storage and shelf life, \$77.00

### Facilities management (TC 267)

[ISO 41011:2024](#), Facility management - Vocabulary, \$157.00

### Laboratory glassware and related apparatus (TC 48)

[ISO 8655-10:2024](#), Piston-operated volumetric apparatus - Part 10: User guidance, and requirements for competence, training, and POVA suitability, \$157.00

### Medical devices for injections (TC 84)

[ISO 23217:2024](#), Injection systems for self-administration by paediatric patients - Requirements and guidelines for design, \$210.00

### Paper, board and pulps (TC 6)

[ISO 6350:2024](#), Lignins - Determination of dry matter content - Oven-drying and freeze-drying methods, \$77.00

### Plastics pipes, fittings and valves for the transport of fluids (TC 138)

[ISO 4437-1:2024](#), Plastics piping systems for the supply of gaseous fuels - Polyethylene (PE) - Part 1: General, \$157.00

[ISO 4437-2:2024](#), Plastics piping systems for the supply of gaseous fuels - Polyethylene (PE) - Part 2: Pipes, \$157.00

[ISO 4437-3:2024](#), Plastics piping systems for the supply of gaseous fuels - Polyethylene (PE) - Part 3: Fittings, \$183.00

[ISO 4437-5:2024](#), Plastics piping systems for the supply of gaseous fuels - Polyethylene (PE) - Part 5: Fitness for purpose of the system, \$116.00

### Service activities relating to drinking water supply systems and wastewater systems - Quality criteria of the service and performance indicators (TC 224)

[ISO 24511:2024](#), Activities relating to drinking water and wastewater services - Guidelines for the management of wastewater utilities and for the assessment of wastewater services, \$237.00

[ISO 24596:2024](#), Drinking water, wastewater and stormwater systems and services - Guidelines for the planning and implementation of infrastructure hardening for water and wastewater systems, \$183.00

### Terminology (principles and coordination) (TC 37)

[ISO 5060:2024](#), Translation services - Evaluation of translation output - General guidance, \$157.00

## ISO Technical Reports

### Traditional Chinese medicine (TC 249)

[ISO/TR 18986:2024](#), Traditional Chinese medicine - Report on the global industry and standardization development of Panax ginseng, \$183.00

### Transport information and control systems (TC 204)

[ISO/TR 17732:2024](#), Intelligent transport systems (ITS) - Communications - ITS communication role and functional model, \$77.00

## ISO Technical Specifications

### Agricultural food products (TC 34)

[ISO/TS 20224-10:2024](#), Molecular biomarker analysis - Detection of animal-derived materials in foodstuffs and feedstuffs by real-time PCR - Part 10: Duck DNA detection method, \$157.00

[ISO/TS 20224-11:2024](#), Molecular biomarker analysis - Detection of animal-derived materials in foodstuffs and feedstuffs by real-time PCR - Part 11: Pigeon DNA detection method, \$157.00

## Plastics pipes, fittings and valves for the transport of fluids (TC 138)

[ISO/TS 22499:2024](#), Thermoplastic pipes for the conveyance of fluids - Inspection of polyethylene butt fusion joints using phased array ultrasonic testing, \$157.00

## ISO/IEC JTC 1 Technical Reports

[ISO/IEC TR 30150-2:2024](#), Information technology - Affective computing user interface (AUI) - Part 2: Affective characteristics, \$116.00

## ISO/IEC JTC 1, Information Technology

[ISO/IEC 5927:2024](#), Computer graphics, image processing and environmental data representation - Augmented and virtual reality safety - Guidance on safe immersion, set up and usage, \$157.00

[ISO/IEC 29100:2024](#), Information technology - Security techniques - Privacy framework, \$157.00

[ISO/IEC 3532-2:2024](#), Information technology - Medical image-based modelling for 3D printing - Part 2: Segmentation, \$157.00

[ISO/IEC 22237-2:2024](#), Information technology - Data centre facilities and infrastructures - Part 2: Building construction, \$183.00

[ISO/IEC 22237-6:2024](#), Information technology - Data centre facilities and infrastructures - Part 6: Security systems, \$183.00

## IEC Standards

### Cables, wires, waveguides, r.f. connectors, and accessories for communication and signalling (TC 46)

[IEC 61196-13-1 Ed. 1.0 en:2024](#), Coaxial communication cables - Part 13-1: Blank detail specification for semi-rigid cables with silicon dioxide dielectric, \$51.00

### Electrical accessories (TC 23)

[IEC 61084-1 Amd.1 Ed. 2.0 en:2024](#), Amendment 1 - Cable trunking systems and cable ducting systems for electrical installations - Part 1: General requirements, \$25.00

[IEC 61084-1 Ed. 2.1 en:2024](#), Cable trunking systems and cable ducting systems for electrical installations - Part 1: General requirements, \$582.00

### Electrical equipment in medical practice (TC 62)

[IEC 80601-2-26 Amd.1 Ed. 1.0 b:2024](#), Amendment 1 - Medical electrical equipment - Part 2-26: Particular requirements for the basic safety and essential performance of electroencephalographs, \$25.00

[IEC 80601-2-26 Ed. 1.1 b:2024](#), Medical electrical equipment - Part 2-26: Particular requirements for the basic safety and essential performance of electroencephalographs, \$531.00

### Environmental conditions, classification and methods of test (TC 104)

[IEC 60068-2-86 Ed. 1.0 b:2024](#), Environmental testing - Part 2 -86: Tests -Test Fx: Vibration - Multi-exciter and multi-axis method, \$278.00

### Fuel Cell Technologies (TC 105)

[IEC 62282-6-101 Ed. 1.0 b:2024](#), Fuel cell technologies - Part 6 -101: Micro fuel cell power systems - Safety - General requirements, \$367.00

[IEC 62282-6-106 Ed. 1.0 b:2024](#), Fuel cell technologies - Part 6-106: Micro fuel cell power systems - Safety - Indirect Class 8 (corrosive) compounds, \$95.00

### Maritime navigation and radiocommunication equipment and systems (TC 80)

[IEC 61097-4 Ed. 4.0 en:2024](#), Global maritime distress and safety system (GMDSS) - Part 4: Inmarsat-C ship earth station and Inmarsat enhanced group call (EGC) equipment - Operational and performance requirements, methods of testing and required test results, \$278.00

[IEC 61097-4 Ed. 4.0 en:2024 CMV](#), Global maritime distress and safety system (GMDSS) - Part 4: Inmarsat-C ship earth station and Inmarsat enhanced group call (EGC) equipment - Operational and performance requirements, methods of testing and required test results, \$595.00

### Other

[CISPR 11 Ed. 7.0 b:2024](#), Industrial, scientific and medical equipment - Radio-frequency disturbance characteristics - Limits and methods of measurement, \$455.00

[CISPR 11 Ed. 7.0 en:2024 CMV](#), Industrial, scientific and medical equipment - Radio-frequency disturbance characteristics - Limits and methods of measurement, \$949.00

### Rotating machinery (TC 2)

[IEC 60034-30-3 Ed. 1.0 b:2024](#), Rotating electrical machines - Part 30-3: Efficiency classes of high voltage AC motors (IE-code), \$190.00

### Safety of household and similar electrical appliances (TC 61)

[IEC 60335-2-31 Ed. 6.0 b:2024](#), Household and similar electrical appliances - Safety - Part 2-31: Particular requirements for range hoods and other cooking fume extractors, \$190.00

[IEC 60335-2-31 Ed. 6.0 en:2024 CMV](#), Household and similar electrical appliances - Safety - Part 2-31: Particular requirements for range hoods and other cooking fume extractors, \$380.00

[IEC 60335-2-31 Ed. 6.0 en:2024 EXV](#), Household and similar electrical appliances - Safety - Part 2-31: Particular requirements for range hoods and other cooking fume extractors, \$958.00

[IEC 60335-2-31-EXV-CMV Ed. 6.0 en:2024 CMV](#), Household and similar electrical appliances - Safety - Part 2-31: Particular requirements for range hoods and other cooking fume extractors, \$1153.00

### **Surface mounting technology (TC 91)**

[IEC 61523-4 Ed. 2.0 en Cor.1:2024](#), Corrigendum 1 - Delay and power calculation standards - Part 4: Design and Verification of Low-Power, Energy-Aware Electronic Systems, \$0.00

## **IEC Technical Specifications**

### **Capacitors and resistors for electronic equipment (TC 40)**

[IEC/TS 63337 Ed. 1.0 en:2024](#), Basic qualification of DC-link film capacitors for automotive use - General requirements, test conditions and tests, \$278.00

# International Electrotechnical Commission (IEC)

---

## USNC TAG Administrator - Organization Needed

### USNC TAG to IEC/TC 57 Power systems management and associated information exchange

Response Deadline: March 1, 2024

CSA Group is relinquishing its role as the USNC TAG Administrator for the USNC TAG to IEC/TC 57 *Power systems management and associated information exchange*. The USNC is looking for a new organization to take on this USNC TAG Administratorship.

Please note that according to the rules and procedures of the USNC, a USNC TAG cannot exist without a USNC TAG Administrator. If we cannot find a new USNC TAG Administrator, the USNC will have to withdraw from international participation and register with the IEC as a Non-Member of this Committee.

**If any organizations are interested in the position of USNC TAG Administrator for the USNC TAG to IEC/57, they are invited to contact Ade Gladstein at [agladstein@ansi.org](mailto:agladstein@ansi.org) by 1 March 2024.**

Please see the scope for TC 57 *Power systems management and associated information exchange* below:

-----  
*To prepare international standards for power systems control equipment and systems including EMS (Energy Management Systems), SCADA (Supervisory Control And Data Acquisition), distribution automation, teleprotection, and associated information exchange for real-time and non-real-time information, used in the planning, operation and maintenance of power systems. Power systems management comprises control within control centres, substations and individual pieces of primary equipment including telecontrol and interfaces to equipment, systems and databases, which may be outside the scope of TC 57. The special conditions in a high voltage environment have to be taken into consideration.*

*Note 1: Standards prepared by other technical committees of the IEC and organizations such as ITU and ISO shall be used where applicable.*

*Note 2: Although the work of TC 57 is chiefly concerned with standards for electric power systems, these standards may also be useful for application by the relevant bodies to other geographical widespread processes.*

*Note 3: Whereas standards related to measuring and protection relays and to the control and monitoring equipment used with these systems are treated by TC 95, TC 57 deals with the interface to the control systems and the transmission aspects for teleprotection systems. Whereas standards related to equipment for electrical measurement and load control are treated by TC 13, TC 57 deals with the interface of equipment for interconnection lines and industrial consumers and producers requiring energy management type interfaces to the control system.*

# Registration of Organization Names in the United States

---

The Procedures for Registration of Organization Names in the United States of America (document ISSB 989) require that alphanumeric organization names be subject to a 90-day Public Review period prior to registration. For further information, please contact the Registration Coordinator at (212) 642-4975.

When organization names are submitted to ANSI for registration, they will be listed here alphanumerically.

Alphanumeric names appearing for the first time are printed in bold type. Names with confidential contact information, as requested by the organization, list only public review dates.

## Public Review

NOTE: Challenged alphanumeric names are underlined. The Procedures for Registration provide for a challenge process, which follows in brief. For complete details, see Section 6.4 of the Procedures.

A challenge is initiated when a letter from an interested entity is received by the Registration Coordinator. The letter shall identify the alphanumeric organization name being challenged and state the rationale supporting the challenge. A challenge fee shall accompany the letter. After receipt of the challenge, the alphanumeric organization name shall be marked as challenged in the Public Review list. The Registration Coordinator shall take no further action to register the challenged name until the challenge is resolved among the disputing parties.

# Proposed Foreign Government Regulations

---

## Call for Comment

U.S. manufacturers, exporters, trade associations, U.S. domiciled standards development organizations and conformity assessment bodies, consumers, or U.S. government agencies may be interested in proposed foreign technical regulations notified by Member countries of the World Trade Organization (WTO). In accordance with the WTO Agreement on Technical Barriers to Trade (TBT Agreement), Members are required to notify to the WTO Secretariat in Geneva, Switzerland proposed technical regulations that may significantly affect trade. In turn, the Secretariat circulates the notifications along with the full texts. The purpose of the notification requirement is to provide global trading partners with an opportunity to review and comment on the regulations before they become final. The USA Enquiry Point for the WTO TBT Agreement is located at the National Institute of Standards and Technology (NIST) in the Standards Coordination Office (SCO). The Enquiry Point relies on the WTO's ePing SPS&TBT platform to distribute the notified proposed foreign technical regulations (notifications) and their full texts available to U.S. stakeholders. Interested U.S. parties can register with ePing to receive e-mail alerts when notifications are added from countries and industry sectors of interest to them. The USA WTO TBT Enquiry Point is the official channel for distributing U.S. comments to the network of WTO TBT Enquiry Points around the world. U.S. business contacts interested in commenting on the notifications are asked to review the comment guidance prior to submitting comments. For non-notified foreign technical barriers to trade for non-agricultural products, stakeholders are encouraged to reach out as early as possible to the Office of Trade Agreements Negotiations and Compliance (TANC) in the International Trade Administration (ITA) at the Department of Commerce (DOC), which specializes in working with U.S. stakeholders to remove unfair foreign government-imposed trade barriers. The U.S. Department of Agriculture's Foreign Agricultural Service actively represents the interests of U.S. agriculture in the WTO committees on Agriculture, Sanitary and Phytosanitary (SPS) measures and Technical Barriers to Trade (TBT). FAS alerts exporters to expected changes in foreign regulations concerning food and beverage and nutrition labeling requirements, food packaging requirements, and various other agriculture and food related trade matters. Working with other Federal agencies and the private sector, FAS coordinates the development and finalization of comments on measures proposed by foreign governments to influence their development and minimize the impact on U.S. agriculture exports. FAS also contributes to the negotiation and enforcement of free trade agreements and provides information about tracking regulatory changes by WTO Members. The Office of the United States Trade Representative (USTR) WTO & Multilateral Affairs (WAMA) office has responsibility for trade discussions and negotiations, as well as policy coordination, on issues related technical barriers to trade and standards-related activities.

### Online Resources:

WTO's ePing SPS&TBT platform: <https://epingalert.org/>

Register for ePing: <https://epingalert.org/en/Account/Registration>

WTO committee on Agriculture, Sanitary and Phytosanitary (SPS) measures:

[https://www.wto.org/english/tratop\\_e/sps\\_e/sps\\_e.htm](https://www.wto.org/english/tratop_e/sps_e/sps_e.htm)

WTO Committee on Technical Barriers to Trade (TBT): [https://www.wto.org/english/tratop\\_e/tbt\\_e/tbt\\_e.htm](https://www.wto.org/english/tratop_e/tbt_e/tbt_e.htm)

USA TBT Enquiry Point: <https://www.nist.gov/standardsgov/usa-wto-tbt-enquiry-point>

Comment guidance:

<https://www.nist.gov/standardsgov/guidance-us-stakeholders-commenting-notifications-made-wto-members-tbt-committee>

NIST: <https://www.nist.gov/>

TANC: <https://www.trade.gov/office-trade-agreements-negotiation-and-compliance-tanc>

Examples of TBTs: [https://tcc.export.gov/report\\_a\\_barrier/trade\\_barrier\\_examples/index.asp](https://tcc.export.gov/report_a_barrier/trade_barrier_examples/index.asp).

Report Trade Barriers: [https://tcc.export.gov/Report\\_a\\_Barrier/index.asp](https://tcc.export.gov/Report_a_Barrier/index.asp).

USDA FAS: <https://www.fas.usda.gov/about-fas>

FAS contribution to free trade agreements: <https://www.fas.usda.gov/topics/trade-policy/trade-agreements>

Tracking regulatory changes: <https://www.fas.usda.gov/tracking-regulatory-changes-wto-members>

USTR WAMA: <https://ustr.gov/trade-agreements/wto-multilateral-affairs/wto-issues/technical-barriers-trade>

Contact the USA TBT Enquiry Point at (301) 975-2918; E [usatbtep@nist.gov](mailto:usatbtep@nist.gov) or [notifyus@nist.gov](mailto:notifyus@nist.gov).

**Not for publication. This document is part of the NSF standard development process. This draft text is for circulation for review and/or approval by an NSF Standards Committee and has not been published or otherwise officially adopted. All rights reserved. This document may be reproduced for informational purposes only.**

[Note – the recommended changes to the standard which include the current text of the relevant section(s) indicate deletions by use of ~~strikeout~~ and additions by **grey highlighting**. Rationale Statements are in *italics* and only used to add clarity; these statements will NOT be in the finished publication.]

NSF/ANSI Standard  
for GMP for Cosmetics –

## Good Manufacturing Practices for Cosmetics

- 
- 
- 

### 4 Audit requirements

- 
- 
- 

#### 4.5 Operation

- 
- 
- 

**4.5.50** Product release is conducted by authorized personnel for quality. [ISO 22716:2007 8.2.2]

**4.5.51** Finished product is stored in a designated area under appropriate conditions, and under a defined maximum storage time. [ISO 22716:2007 8.3.1].

**4.5.52** Finished product in storage shall have identification with the following information: name or identifying code, batch number, quantity, and storage conditions such as temperature control, as appropriate. [ISO 22716:2007 8.3.4]

**4.5.523** Finished goods stock turnover and rotation procedures are implemented, e.g., FIFO. [ISO 22716:2007 8.3.5].

- 
- 
-

Not for publication. This document is part of the NSF standard development process. This draft text is for circulation for review and/or approval by an NSF Standards Committee and has not been published or otherwise officially adopted. All rights reserved. This document may be reproduced for informational purposes only.

[Note – the recommended changes to the standard which include the current text of the relevant section(s) indicate deletions by use of ~~strikeout~~ and additions by **grey highlighting**. Rationale Statements are in *italics* and only used to add clarity; these statements will NOT be in the finished publication.]

NSF/ANSI Standard  
for GMP for Dietary Supplements –

# Good Manufacturing Practices for Dietary Supplements

- 
- 
- 

## 4 Audit requirements

- 
- 
- 

### 4.4 Support

- 
- 
- 

~~4.4.8 Production area walls, floors, ceilings shall be adequately cleaned and shall be kept in good repair. [21 C.F.R. § 111.20(d1i)]~~

Facility walls, floors, and ceilings shall be designed and constructed in a manner that it can be adequately cleaned, kept clean, and in good repair. [21 C.F.R. § 111.20 (d1i)]

- 
- 
- 

### 4.5 Operation

- 
- 
- 

~~4.5.17 The production facility shall be maintained in a clean and sanitary condition and in a proper state of repair. [21 C.F.R. § 111.15 (b1, b2)]~~

- 
- 
-



Not for publication. This document is part of the NSF standard development process. This draft text is for circulation for review and/or approval by an NSF Standards Committee and has not been published or otherwise officially adopted. All rights reserved. This document may be reproduced for informational purposes only.

[Note – the recommended changes to the standard which include the current text of the relevant section(s) indicate deletions by use of ~~strikeout~~ and additions by **grey highlighting**. Rationale Statements are in *italics* and only used to add clarity; these statements will NOT be in the finished publication.]

NSF/ANSI Standard  
for GMP for Dietary Supplements –

## Good Manufacturing Practices for Dietary Supplements

- 
- 
- 

### 4 Audit requirements

- 
- 
- 

#### 4.5 Operation

- 
- 
- 

~~4.5.42 Written procedures shall be in place for retesting of materials to extend shelf life.~~

Procedures shall be established to ensure expired materials are not used in production. Where shelf life of materials is extended, procedures shall be in place for retesting and approval prior to use.

- 
- 
-

## BSR/UL 1191, Standard for Safety for Components for Personal Flotation Devices

## 1. Correction of Table 19.2 Webbing Closures and Adjusters

## PROPOSAL

Table 19.2  
Webbing Closures and Adjusters

Tests	Exposure <sup>a</sup>	Test method	Number of samples <sup>b,c</sup>	Use code <sup>d</sup>	Compliance criteria pounds-force (N)
Ultimate Breaking Strength <sup>1</sup>	<b>1.</b> SC <b>2a.</b> Xe <sub>500</sub> <sup>g</sup> <b>2b.</b> Xe <sub>750</sub> or Nt <sub>75</sub> <sup>g</sup> <b>3.</b> 70 h immersion in ASTM Ref. Fuel B <sup>e</sup> <b>4.</b> 70 h immersion in IRM 902 (Calumet Oil No. 2) <sup>e</sup> <b>5.</b> 70 h immersion in 0.5 percent per volume AATCC 2003 Standard Reference Liquid Detergent, by volume, in no greater than "1" hardness water <sup>e</sup> <b>6.</b> 70 ±2°C (158 ±40F) for 7 days <sup>e</sup> . <b>7.</b> -30 ±2°C (-22 ±40F) for 24 h. <sup>i</sup> <b>8.</b> 720 h of Salt Spray as specified in ASTM B117-94. <sup>f</sup> <b>9.</b> Fatigue <sup>l</sup>	<a href="#">19.3.1.1</a> – <a href="#">19.3.1.3</a>	5 for each separate conditioning	1, 1F, and 5	<b>Exposures 1 – 9, except 2b</b> Minimum ≥ 360 (1600)
				2F, 3F, 5WV, and 5H	<b>Exposures 1 – 9, except 2b</b> Minimum ≥ 225 (1000)
				2, 3, 4H, and 5R	<b>Exposure 1</b> Minimum ≥ 200 (888)
				2C and 3C	<b>Exposures 1 – 9, except 2b</b> Minimum ≥ 115 (514512)
				2, 3, 4H, and 5R	<b>Exposures 2a – 9, except 2b</b> Minimum ≥ 150 (666)
				1, 1F, and 5	<b>Exposure 2a</b> Average ≥ 216 (961)
				2F, 3F, 5WV, and 5H	Average ≥ 135 (601)
				2, 3, 4H, and 5R	Average ≥ 120 (534)
				2C and 3C	Average ≥ 115 (512) Or
				1, 1F, and 5	<b>Exposure 2b</b> Average ≥ 144 (641)

			2F, 3F, 5WV, and 5H	Average ≥ 90 (401)
			2, 3, 4H, and 5R	Average ≥ 80 (356)
			2C and 3C	Average ≥ 46 (205)
			1, 1F, and 5	<b>Exposures 3 – 7 and 9</b> Average ≥ 216 (960961)
			2F, 3F, 5WV, and 5H	Average ≥ 135 (600601)
			2, 3, 4H, and 5R	Average ≥ 120 (532534)
			2C and 3C	Average ≥ 69 (306)
			1F, 2F, 3F, and 5H	<b>Exposure 2b</b> Average = ≥144 (640)

ULSE Inc. copyrighted material. Not authorized for further reproduction without permission from ULSE Inc.

## **BSR/UL 1574, Standard for Safety for Track Lighting Systems**

### **1. Installation Instructions published on publicly available website**

#### **PROPOSAL**

84.1.2 In lieu of providing an instruction sheet, installation and assembly instructions may be provided on a publicly accessible web site if the equipment is marked "SEE (SPECIFIC URL OR QR CODE INSERTED HERE) FOR INSTALLATION AND ASSEMBLY INSTRUCTIONS."

*ULSE Inc. copyrighted material. Not authorized for further reproduction without permission from ULSE Inc.*

**BSR/UL 1978, Standard for Grease Ducts****1. Addition of Testing for Fiber Woven Gaskets****PROPOSAL****21.1 General**

21.1.0 Compressed fiber and fiber woven gasket and seal materials shall comply with the requirements in Section 21A. Elastomer gasket and seal materials used in the construction shall comply with Section 21.1.1 and 21.1.2.

**21A Fiber Woven Grease Gasket Density, Moisture Analysis, and Compression****21A.1 General**

21A.1.1 Section 21A requirements are specifically applicable to fiber woven material used as gaskets in grease duct assemblies. The methods described and defined in this section are in lieu of Section 21, Tensile Strength, Elongation, and Change in Volume Tests of Gaskets and Seals.

**21A.2 Density Test**

21A.2.1 Using a die, prepare three specimens measuring 1.0 ±0.1 inch (25.4 ±2.5 mm) by 2.0 ±0.1 inch (50.8 ±2.5 mm). The specimens shall be the full thickness of the material. All surface blemishes shall be removed according to ASTM D3183.

21A.2.2 Using a dial or digital caliper with an accuracy of 0.001 inch (0.025 mm), measure the length and width of the specimens and record. Using a calibrated thickness gauge, as in ASTM D3767 with a stand that has a foot that can cover the whole piece with an accuracy of 0.001 inch (0.025 mm). The specimens are then to be weighed using a calibrated digital scale with an accuracy of 0.001 g. From this, the density of the material can be calculated in accordance with the following formula:

$$V = L \times W \times t$$

where:

L = the measured length in inches

W = the measure width in inches

t = the measured thickness in inches

V = the volume of the specimen in ft<sup>3</sup>.

and

$$\rho = M/V$$

where:

ρ = the density of the specimen in lbs/ft<sup>3</sup>

m = the mass of the specimen in pounds

V = the volume of the specimen in ft<sup>3</sup>

The values shall be ±0.5 lb/ft<sup>3</sup> (8 kg/m<sup>3</sup>) of each other.

**21A.3 Moisture Analysis Test**

21A.3.1 Using a die, prepare three specimens measuring 1.0 ±0.1 inch (25.4 ±2.5 mm) by 2.0 ±0.1 inch (50.8 ±2.5 mm). The specimens shall be the full thickness of the material. All surface blemishes shall be removed using ATSM D3183.

21A3.2 The specimens are then soaked in deionized water for 30 ±1 minutes, removed from the water, and allowed to dry for 5 minutes. Place an aluminum pan onto a calibrated digital scale with an accuracy of 0.001 g and zero the scale. Then, place the specimen in the pan and weigh it. Record this as the wet weight. There are two methods that can be used to determine the percent absorption of the material:

a) The first method uses a moisture analyzer unit. The specimen will be placed into the analyzer at 356 ±5 °F (180 ±15 °C). The analyzer will then heat and boil the water out of the specimen and calculate the percentage of solids in the gasket. The percent absorption is the inverse of the calculated percent solids.

b) The second method uses an air oven as specified in ASTM D573. The specimen will be dried at 230 ±5 °F (110 ±15 °C) for a duration of 72 ±1 hours. Weigh the specimens again and record this as the dry weight of the gasket. From this, the % absorption can be calculated in accordance with the following formula:

$$\% \text{ absorption} = (W_w/W_d) \times 100$$

where:

$W_d$  = the dry weight of the gasket

$W_w$  = the wet weight of the gasket.

21A3.3 Using a die, prepare six specimens measuring 1.0 ±0.1 inch (25.4 ±2.5 mm) by 2.0 ±0.1 inch (50.8 ±2.5 mm). The specimens shall be the full thickness of the material. All surface blemishes shall be removed using ATSM D3183. These specimens are then weighed and recorded as the gasket dry weight. Three specimens are then placed in corn oil and three are placed in lard for 30 ±1 minutes, removed from the fluid, and allowed to dry for 5 minutes. The specimens are then placed into an air oven as specified in ASTM D573 at 277 ±1.8 °F (136 ±17 °C) for 70 hours ±0.5 hours. The specimens are then removed from the oven. The specimens in the corn oil are to be placed in fresh corn oil for 30 to 60 minutes, and the lard specimens are allowed to cool at room temperature for 30 to 60 minutes. The specimens are then cleaned with a lint free wipe then rinsed in ethyl alcohol and blotted clean. Note any burning or deterioration on the specimens. The specimens are then weighed, and this is recorded as the wet weight. From this, the % Δ absorption can be calculated in accordance with the following formula:

$$\% \Delta \text{ absorption} = \frac{[(W_w - W_d)]}{W_w} \times 100$$

where:

$W_d$  = the dry weight of the gasket

$W_w$  = the wet weight of the gasket

The value of the % Δ absorption shall be ±1 % of the average of the three specimens in each medium.

#### **21A.4 Compression Set Test**

21A.4.1 Use the Compression Set Test method in UL 157, Section 7 for open flexible cellular material.

**BSR/UL 2272, Standard for Safety for Electrical Systems for Personal E-Mobility Devices****1. Updating battery pack compartment requirements.**

9.2.4 To prevent user servicing such as cell replacement when the device enclosure serves as the outer enclosure of the battery, the device enclosure shall be designed such that it is not capable of being opened using common household tools, such as a flat blade or Philips head screwdriver. The enclosure shall be ultrasonically welded or secured by equivalent means. Adhesives complying with the adhesive requirements of UL 746C, or single use or tamper-proof screws, are considered equivalent means. See 45.12 and 46.3A.

45.12 The following or equivalent marking shall be provided on the battery enclosure and/or device enclosure that serves as the outer enclosure of the battery: "WARNING – Risk of Fire and Electric Shock – Battery and/or battery components are not user replaceable."

46.3A The following or equivalent marking shall be provided in the instructions: "WARNING: Risk of Fire and Electric Shock – Battery and/or battery components are not user replaceable."

**Table B.1  
Safety Marking Translations**

Reference	English	French
45.12, 46.3A	<u>"WARNING – Risk of Fire and Electric Shock – Battery and/or battery components are not user replaceable"</u>	<u>« AVERTISSEMENT – Risque d'incendie et de décharge électrique – Les batteries ou leurs composants ne peuvent pas être remplacés par l'utilisateur. »</u>

**2. Addition of more specific evaluation requirements of gaskets and seals.**

7.7 Gaskets and seals of the EESA-relied upon for safety, shall be determined suitable for the environmental conditions and chemical substances. Gasket and seal materials tested in accordance with one of the following:

- a) UL 157;
- b) The Gasket Tests in UL 62368-1 / CSA C22.2 No. 62368-1, Clause Y.4.2; or
- c) The Gasket Tests in UL 50E / CSA C22.2 No. 94.2, Clause 8.13, are considered acceptable.

**3. Clarification of flammability requirements for nonmetallic materials.**

7.13 For the requirements outlined in 7.8 – 7.12-7.13, the flammability rating of the material shall be provided as part of the material rating or the flammability rating may be determined in accordance with UL 94 and CSA C22.2 No. 0.17.

**4. Updating charger requirements.****27A Post-Discharge Charging Determination Test**

27A.1 At the immediate conclusion of the Temperature Test in Section 27, the supplied charger is to be plugged into the DUT to determine whether the unit allows charging above the cell manufacturer's maximum specified cell surface temperature for charging. When the charger is plugged into the DUT, the charger and DUT electrical connection shall comply with 27.4 and 27.6. Measurement of the cells by bypassing the BMS may be required to make this determination.

34A.1 The input current to of a product is to be measured with the unit operating while charging a fully discharged battery. The current input of the product shall not be more than 110 % of the rated current value for the DUT as

assigned by the manufacturer and if an external charger is used, the measured input current shall not exceed the rated output current of the external charger.

## 6. Updating temperature requirements.

6.0 For the purpose of this Standard the following definitions apply.

6.21A MAXIMUM CONTINUOUS CHARGING TEMPERATURE – The maximum ambient temperature, per the manufacturer's specifications, that can continuously charge the battery at the maximum charging parameters to its full state of charge (SOC).

6.21B MAXIMUM CONTINUOUS DISCHARGING TEMPERATURE – The maximum ambient temperature, per the manufacturer's specifications, that can continuously discharge the battery at the maximum discharging parameters to its specified end of discharge voltage (EODV).

27.2A If the temperature protective device operates during the test in 27.2, repeat the test at maximum continuous charging temperature.

27.3B If the temperature protective device operates during the test in 27.3, repeat the test at maximum continuous discharging temperature.

## 7. Adding reference to UL 2054 and UL 62133-2 / CSA C22.2 No. 62133-2 for rechargeable batteries providing power other than drivetrain unit.

5.2 The following standards are referenced in this standard, and portions of these referenced standards as identified in this Standard may be essential for compliance.

CSA C22.2 No. 62133-1, Secondary Cells and Batteries Containing Alkaline or Other Non-Acid Electrolytes – Safety Requirements for Portable Sealed Secondary Cells, and for Batteries Made from Them, for Use in Portable Applications – Part 1: Nickel Systems

UL 62133-1, Secondary Cells and Batteries Containing Alkaline or Other Non-Acid Electrolytes – Safety Requirements for Portable Sealed Secondary Cells, and for Batteries Made from Them, for Use in Portable Applications – Part 1: Nickel Systems

17.8 Rechargeable batteries that provide power to other than the drivetrain unit shall comply with UL 2054 or UL 62133-2 / CSA C22.2 No. 62133-2 or UL 62133-1 / CSA C22.2 No. 62133-1.

## 15. Alignment of the dielectric strength test condition.

29.2 Circuits at voltages above 60 Vdc or 30 Vrms ac (42.4 Vpeak ac) or above and electrically isolated from ac mains supplied circuits shall be subjected to a dielectric withstand voltage consisting of a dc potential of twice the rated voltage.

*Exception No. 1: An essentially sinusoidal ac potential of frequency between 40 – 70 Hz at twice rated voltage may be applied instead of the dc potential.*

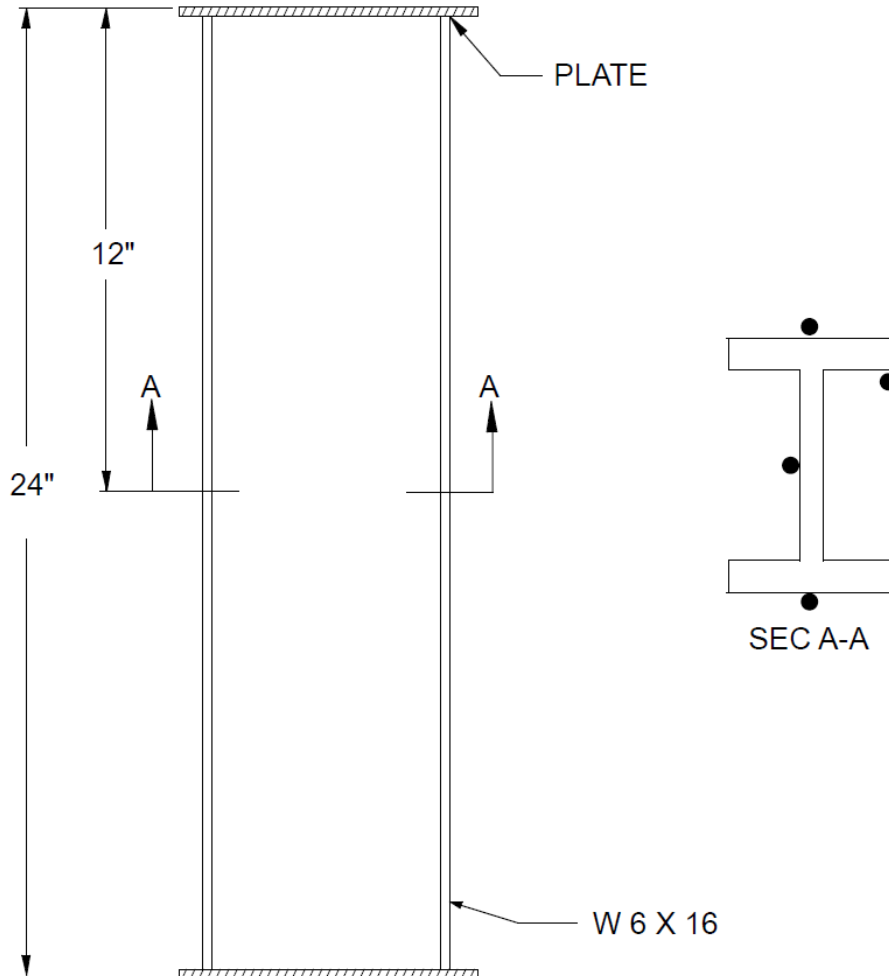
*Exception No. 2: Semiconductors or similar electronic components not relied upon for protection from electric shock and liable to be damaged by application of the test voltage may be bypassed or disconnected.*



## BSR/UL 2431, Standard for Safety for Durability of Fire Resistive Coatings and Materials

## 1. UL 2431 revisions- Figure 4.2

## PROPOSAL



s5452a

## 2. UL 2431 revisions- 4.2.3.1

## PROPOSAL

## 4.2.3 Steel Plates

4.2.3.1 Steel plates of minimum size 8-inch x 8-inch (200 mm x 200 mm) x-with a nominal thickness of 3/16-inches (5 mm) thick shall be used while conducting the combined Temperature stability, UV & High humidity ~~portions of the~~ environmental exposures specified in Classification Categories I-A and I-B in Table 5.2, and the UV environmental exposure as specified in Classification Category II-A-3 in Table 5.3, as reference in Section 5. A maximum of 0.5-inches (12.7 mm) of the steel plate edges shall be treated with an anti-corrosion material. Where necessary, reinforcement shall be used to ensure bond of the material to the steel plate.