

CONTENTS

American National Standards

Project Initiation Notification System (PINS)	2
Call for Comment on Standards Proposals	14
Final Actions - (Approved ANS)	25
Call for Members (ANS Consensus Bodies)	28
American National Standards (ANS) Process	37
ANS Under Continuous Maintenance	38
ANSI-Accredited Standards Developer Contacts	39

International Standards

ISO and IEC Draft Standards	41
ISO and IEC Newly Published Standards	45
International Organization for Standardization (ISO)	48

Information Concerning

Registration of Organization Names in the United States	49
Proposed Foreign Government Regulations	50

Project Initiation Notification System (PINS)

Section 2.5.1 of the *ANSI Essential Requirements* (www.ansi.org/essentialrequirements) describes the Project Initiation Notification System (PINS) and includes requirements associated with a PINS Deliberation. Following is a list of PINS notices submitted for publication in this issue of ANSI Standards Action by ANSI-Accredited Standards Developers (ASDs). Please also review the section in Standards Action entitled "American National Standards Maintained Under Continuous Maintenance" for information about American National Standards (ANS) maintained under the continuous maintenance option, as a PINS to initiate a revision of such standards is not required. Use the following Public Document Library url to access PDF & EXCEL reports of approved & proposed ANS: [List of Approved and Proposed ANS](#). Directly and materially interested parties wishing to receive more information or to submit comments are to contact the sponsoring ANSI-Accredited Standards Developer directly **within 30 calendar days** of the publication of this PINS announcement.

AAFS (American Academy of Forensic Sciences)

Teresa Ambrosius <tambrosius@aafs.org> | 410 North 21st Street | Colorado Springs, CO 80904 www.aafs.org

Revision

BSR/ASB Std 020-202x, Standard for Validation Studies of DNA Mixtures, and Development and Verification of a Laboratory's Mixture Interpretation Protocol (revision of ANSI/ASB Std 020-2018)

Stakeholders: Forensic DNA Professionals; criminal justice community

Project Need: This document will provide needed guidance to practitioners in the field. Mixtures of DNA from two or more individuals are commonly obtained in forensic DNA testing laboratories. The inherent complexities of the DNA data generated require sound interpretation protocols to be developed that are based on appropriate validation studies with verification that the consistent use of the protocols generates accurate interpretations of the data obtained. This standard provides requirements to aid in meeting these needs.

Interest Categories: Academics and Researchers, General Interest, Jurisprudence and Criminal Justice, Producer, User - Government, User - Non-Government

This standard provides the requirements for the (1) design and evaluation of internal validation studies for mixed DNA samples; (2) the development of appropriate interpretation protocols for mixtures based on the validation studies performed; and (3) verification that the mixture interpretation protocols developed from the completed validation studies generate reliable and consistent interpretations and conclusions for the types of mixed DNA samples typically encountered by the laboratory. This standard applies to any type of DNA testing technology and methodology used, including but not limited to, STR testing, DNA sequencing, SNP testing, haplotype testing, traditional and rapid protocols, etc., where mixtures of DNA may be encountered, analyzed, and interpreted.

AAMI (Association for the Advancement of Medical Instrumentation)

Jill Zajac <jjzajac@aami.org> | 901 N. Glebe Road, Suite 300 | Arlington, VA 22203 www.aami.org

National Adoption

BSR/AAMI ISO 23500-4-202x, Preparation and quality management of fluids for haemodialysis and related therapies — Part 4: Concentrates for haemodialysis and related therapies (identical national adoption of ISO 23500-4:202x and revision of ANSI/AAMI/ISO 23500-4-2019)

Stakeholders: Healthcare professionals, patients, and medical device manufacturers

Project Need: This document is a revision of ISO 23500-4:2019 and reflects updates that provide users with updated specifications on chemical and microbiological requirements for concentrates used for haemodialysis and related therapies. ISO 23500-4:202x is deemed to be needed by the US National Committee to be proposed as an identical adoption for publication as a standard.

Interest Categories: Industry, User, General Interest, Regulatory/Government

This document specifies chemical and microbiological requirements for concentrates used for haemodialysis and related therapies and applies to the manufacturer of such concentrates. This document is applicable to:

- concentrates in both liquid and powder forms;
- additives, also called spikes, which are chemicals that can be added to the concentrate to supplement or increase the concentration of one or more of the existing ions in the concentrate and thus in the final dialysis fluid;
- equipment used to mix acid and bicarbonate powders into concentrate at the user's facility.

AAMI (Association for the Advancement of Medical Instrumentation)

Jill Zajac <jjzajac@aami.org> | 901 N. Glebe Road, Suite 300 | Arlington, VA 22203 www.aami.org

National Adoption

BSR/AAMI ISO 23500-5-202x, Preparation and quality management of fluids for haemodialysis and related therapies — Part 5: Quality of dialysis fluid for haemodialysis and related therapies (identical national adoption of ISO 23500-5:202x and revision of ANSI/AAMI/ISO 23500-5-2019)

Stakeholders: Healthcare professionals, patients and medical device manufacturers

Project Need: ISO 23500-5:202x is deemed to be needed by the US National Committee to be proposed as an identical adoption for publication as a standard. This document is a revision of ISO 23500-5:2019 and contains updates to alternatives to classic microbial analytical methods [endotoxin testing using rFC (tp)].

Interest Categories: Industry, User, General Interest, Regulatory/Government

This document specifies minimum chemical and microbiological quality requirements for dialysis fluids used in haemodialysis and related therapies.

This document applies to

- dialysis fluids used for haemodialysis and haemodiafiltration,
- substitution fluid produced online for haemodiafiltration and haemofiltration based on dialysis fluid.

ADCI (Association of Diving Contractors International)

Jennifer Santulli <j.santulli@ieee.org> | 445 Hoes Lane | Piscataway, NJ 08854 www.ieee.org

Revision

BSR C2-202x, National Electrical Safety Code (revision of ANSI NESC C2-2023)

Stakeholders: Utilities (private and public), Telecommunication Industry, Municipalities, Regulators, Labor, Railroads, Electrical Contractors

Project Need: The NESC is revised every 5 years.

Interest Categories: CPR: Communications Private Sector EPR: Electric Private Sector EPU: Electric Public Sector CPU: Communications Public Sector ECL: Electric and Communications Labor GOV: Government CEC: Consulting, Engineering and Construction CG: Consumer and Government GI: General Interest will include: I: Insurance Representatives IEO: Independent Electric Operators M: Manufacturers PS: Professional Societies

These rules cover supply and communication lines, equipment, and associated work practices employed by a public or private electric supply, communications, railway, or similar utility in the exercise of its function as a utility. They cover similar systems under the control of qualified persons, such as those associated with an industrial complex or utility-interactive system

AGA (ASC Z223) (American Gas Association)

Luis Escobar <lescobar@aga.org> | 400 North Capitol Street, NW, Suite 450 | Washington, DC 20001 www.aga.org

Revision

BSR Z223.1/NFPA 54-2027-202x, National Fuel Gas Code (revision of ANSI Z223.1/NFPA 54-2023)

Stakeholders: Installers, code enforcing authorities, natural gas utilities, LP suppliers, appliance and equipment manufacturers, insurance.

Project Need: Revise code provisions to address public interest and need.

Interest Categories: Applied Research/Testing Laboratory, Energy Supplier, Enforcing Authority, Installer/Maintainer, Insurance, Manufacturer, Special Expert.

The code offers criteria for the installation and inspection of fuel gas piping, venting systems, combustion air and fuel gas appliances. Its intent is to promote public safety by providing minimum requirements for the safe and satisfactory utilization of fuel gas downstream of the point of delivery from a gas utility or LP supplier.

AWC (American Wood Council)

Bradford Douglas <bdouglas@awc.org> | 222 Catocin Circle, Suite 201 | Leesburg, VA 20175 www.awc.org

Revision

BSR/AWC SDPWS-202x, Special Design Provisions for Wind and Seismic (revision and redesignation of ANSI/AWC SDPWS-2021)

Stakeholders: Engineers, architects, builders, and regulators

Project Need: Revise current version of ANSI/AWC SDPWS-2021 to update wind and seismic design provisions to latest state-of-the-art wood engineering.

Interest Categories: Producers, Users, General Interests

Provides special design and construction requirements for wind and seismic design of wood structures.

BHMA (Builders Hardware Manufacturers Association)

Michael Tierney <mtierney@kellencompany.com> | 17 Faulkner Drive | Niantic, CT 06357 www.buildershardware.com

Revision

BSR/BHMA A156.5-202x, Standard for Cylinders and Input Devices (revision of ANSI/BHMA A156.5-2020)

Stakeholders: Manufacturers, users, labs, spec writers, building owners, locksmiths

Project Need: Five-year update.

Interest Categories: Labs, General Interest, Producers, Users, Government

This Standard establishes requirements for mechanical cylinders, electrified input devices, mechanical and pushbutton mechanisms, and includes operational, strength tests and security tests.

BHMA (Builders Hardware Manufacturers Association)

Karen Bishop <kbishop@kellencompany.com> | 355 Lexington Avenue, 15th Floor | New York, NY 10017-6603 www.buildershardware.com

Revision

BSR/BHMA A156.18-202x, Standard for Material and Finishes (revision of ANSI/BHMA A156.18-2020)

Stakeholders: Consumers, door and hardware manufacturers, building and construction

Project Need: Update per five-year revision cycle.

Interest Categories: Government, Test Laboratories, Users, General Interest, and Producer

This Standard contains tests for architectural finishes applied to various types of Builders Hardware with specific performance requirements by individual standards described in Section 6. Tests include salt spray, UV, perspiration, hardness, and humidity. This Standard also provides a numbering system to describe finishes by base material and coatings.

BHMA (Builders Hardware Manufacturers Association)

Michael Tierney <mtierney@kellencompany.com> | 17 Faulkner Drive | Niantic, CT 06357 www.buildershardware.com

Revision

BSR/BHMA A156.39-202x, Residential Locks and Latches (revision of ANSI/BHMA A156.39-2020)

Stakeholders: Manufacturers, users, labs, spec writers, building owners, locksmiths

Project Need: Five-year update

Interest Categories: General Interest, Producer, User, Laboratory, Government

This Standard establishes performance requirements for bored residential locksets and latches, and includes durability, security, and finish tests. Residential locksets and latches are generally used for single family homes and multifamily dwellings.

BHMA (Builders Hardware Manufacturers Association)

Michael Tierney <mtierney@kellencompany.com> | 17 Faulkner Drive | Niantic, CT 06357 www.buildershardware.com

Revision

BSR/BHMA A156.40-202x, Standard for Residential Deadbolts (revision of ANSI/BHMA A156.40-2020)

Stakeholders: Manufacturers, users, labs, spec writers, building owners, locksmiths

Project Need: Five-year update

Interest Categories: General Interest, Producer, User, Laboratory, Government

ANSI/BHMA A156.40 establishes requirements for residential deadbolts and deadlatches, and includes durability, security, and finish tests. Residential deadbolt and deadlatches are generally used for single family homes and multifamily dwellings.

NETA (InterNational Electrical Testing Association)

Lamar Danzy <ldanzy@netaworld.org> | 3050 Old Centre Rd, Suite 101 | Portage, MI 49024 www.netaworld.org

Revision

BSR/NETA ATS-2025, NETA Standard for Acceptance Testing Specifications for Electrical Power Equipment & Systems (revision of ANSI/NETA ATS-2021)

Stakeholders: Governmental agencies, A&E firms, inspection authorities, owners of facilities that utilize large blocks of electric energy, electrical testing companies.

Project Need: This project is being initiated in order to assure that this standard reflects current industry standards, best practices, and technologies.

Interest Categories: Producers, Users, and General Interest.

It is the intent of this document to assure that all tested electrical equipment and systems supplied by either contractor or owner are operational and within applicable standards and manufacturer's tolerances and that equipment and systems are installed in accordance with design specifications.

NFPA (National Fire Protection Association)

Dawn Michele Bellis <dbellis@nfpa.org> | One Batterymarch Park | Quincy, MA 02169 www.nfpa.org

Revision

BSR/NFPA 440-202x, Guide for Aircraft Rescue and Firefighting Operations and Airport/Community Emergency Planning (revision of ANSI/NFPA 440-2024)

Stakeholders: Manufacturers, users, installers/maintainers, labor, enforcing authorities, insurance, consumers, special experts, and research and testing.

Project Need: Public Interest and Need

Interest Categories: Manufacturer (M), User (U, Installer/Maintainer (I/M), Labor (L), Applied Research/Testing Laboratory (R/T), Enforcing Authority (E), Insurance (I), Consumer (C), and Special Expert (SE)

Please refer to the following link <https://www.nfpa.org/tcclass> for more information about our classifications

1.1 Scope. This guide provides information relative to aircraft rescue and firefighting (ARFF) operations and procedures for airport and structural fire departments and describes the elements of an airport/community emergency plan that require consideration before, during, and after an emergency has occurred. Throughout this document, the airport/community emergency plan is referred to as the "AEP." 1.1.1 Statistics indicate that approximately 80 percent of all major commercial aircraft accidents occur in the critical rescue and firefighting access area. This is the primary response area for airport-based ARFF services. Approximately 15 percent of the accidents occur in the approach areas. In such instances the community/mutual services could be the prime responders. 1.1.2 Some airport fire departments have the total fire prevention and fire protection responsibility for the entire airport, including structural firefighting responsibilities in terminal buildings, aircraft hangars, airport hotels, cargo buildings, and other facilities. Procedures for these fire prevention and protection operations are not covered in this guide.

1.1.3 The scope of the AEP should include command, communication, and coordination functions for executing the AEP.

NFPA (National Fire Protection Association)

Dawn Michele Bellis <dbellis@nfpa.org> | One Batterymarch Park | Quincy, MA 02169 www.nfpa.org

Revision

BSR/NFPA 460-202x, Standard for Aircraft Rescue and Firefighting Services at Airports (revision of ANSI/NFPA 460-2024)

Stakeholders: Manufacturers, users, installers/maintainers, labor, enforcing authorities, insurance, consumers, special experts, and research and testing.

Project Need: Public interest and Need

Interest Categories: Manufacturer (M), User (U, Installer/Maintainer (I/M), Labor (L), Applied Research/Testing Laboratory (R/T), Enforcing Authority (E), Insurance (I), Consumer (C), and Special Expert (SE)

Please refer to the following link <https://www.nfpa.org/tclass> for more information about our classifications

1.1 Scope. This standard contains the minimum requirements for aircraft rescue and firefighting (ARFF) services at airports and the required performance criteria by which an authority having jurisdiction over ARFF maintains proficiency and effective ARFF at airports, and establishes test procedures for evaluating the foam firefighting equipment installed on ARFF vehicles designed in accordance with Chapters 1 through 6 of NFPA 1900. 1.1.1 Requirements for other airport fire protection services are not covered in this document.

NFPA (National Fire Protection Association)

Dawn Michele Bellis <dbellis@nfpa.org> | One Batterymarch Park | Quincy, MA 02169 www.nfpa.org

Revision

BSR/NFPA 610-202x, Guide for Emergency and Safety Operations at Motorsports Venues (revision of ANSI/NFPA 610-2024)

Stakeholders: Manufacturers, users, installers/maintainers, labor, enforcing authorities, insurance, consumers, special experts, and research and testing.

Project Need: Public Interest and Need

Interest Categories: Manufacturer (M), User (U, Installer/Maintainer (I/M), Labor (L), Applied Research/Testing Laboratory (R/T), Enforcing Authority (E), Insurance (I), Consumer (C), and Special Expert (SE)

Please refer to the following link <https://www.nfpa.org/tclass> for more information about our classifications

1.1 Scope. This guide addresses planning, training, personnel, equipment, and facilities as they relate to emergency and safety operations at motorsports venues.

NFPA (National Fire Protection Association)

Dawn Michele Bellis <dbellis@nfpa.org> | One Batterymarch Park | Quincy, MA 02169 www.nfpa.org

Revision

BSR/NFPA 1026-202x, Standard for Incident Management Personnel Professional Qualifications (revision of ANSI/NFPA 1026-2024)

Stakeholders: Manufacturers, users, installers/maintainers, labor, enforcing authorities, insurance, consumers, special experts, and research and testing.

Project Need: Public Interest and Need

Interest Categories: Manufacturer (M), User (U, Installer/Maintainer (I/M), Labor (L), Applied Research/Testing Laboratory (R/T), Enforcing Authority (E), Insurance (I), Consumer (C), and Special Expert (SE)

Please refer to the following link <https://www.nfpa.org/tclass> for more information about our classifications

1.1 Scope. This standard identifies the minimum job performance requirements (JPRs) for Incident Management Personnel.

NFPA (National Fire Protection Association)

Dawn Michele Bellis <dbellis@nfpa.org> | One Batterymarch Park | Quincy, MA 02169 www.nfpa.org

Revision

BSR/NFPA 1030-202x, Standard for Professional Qualifications for Fire Prevention Program Positions (revision of ANSI/NFPA 1030-2024)

Stakeholders: Manufacturers, users, installers/maintainers, labor, enforcing authorities, insurance, consumers, special experts, and research and testing.

Project Need: Public Interest and Need

Interest Categories: Manufacturer (M), User (U, Installer/Maintainer (I/M), Labor (L), Applied Research/Testing Laboratory (R/T), Enforcing Authority (E), Insurance (I), Consumer (C), and Special Expert (SE)

Please refer to the following link <https://www.nfpa.org/tcclass> for more information about our classifications

1.1 Scope. This standard provides minimum requirements for professional qualifications for fire prevention program positions.

NFPA (National Fire Protection Association)

Dawn Michele Bellis <dbellis@nfpa.org> | One Batterymarch Park | Quincy, MA 02169 www.nfpa.org

Revision

BSR/NFPA 1091-202x, Standard for Traffic Incident Management Personnel Professional Qualifications (revision of ANSI/NFPA 1091-2024)

Stakeholders: Manufacturers, users, installers/maintainers, labor, enforcing authorities, insurance, consumers, special experts, and research and testing.

Project Need: Public Interest and Need

Interest Categories: Manufacturer (M), User (U, Installer/Maintainer (I/M), Labor (L), Applied Research/Testing Laboratory (R/T), Enforcing Authority (E), Insurance (I), Consumer (C), and Special Expert (SE)

Please refer to the following link <https://www.nfpa.org/tcclass> for more information about our classifications

1.1 Scope. This standard identifies the minimum job performance requirements (JPRs) for traffic incident management personnel (TIMP).

NFPA (National Fire Protection Association)

Dawn Michele Bellis <dbellis@nfpa.org> | One Batterymarch Park | Quincy, MA 02169 www.nfpa.org

Revision

BSR/NFPA 1660-202x, Standard for Emergency, Continuity, and Crisis Management: Preparedness, Response, and Recovery (revision of ANSI/NFPA 1660-2024)

Stakeholders: Manufacturers, users, installers/maintainers, labor, enforcing authorities, insurance, consumers, special experts, and research and testing.

Project Need: Public Interest and Need

Interest Categories: Manufacturer (M), User (U, Installer/Maintainer (I/M), Labor (L), Applied Research/Testing Laboratory (R/T), Enforcing Authority (E), Insurance (I), Consumer (C), and Special Expert (SE)

Please refer to the following link <https://www.nfpa.org/tcclass> for more information about our classifications

1.1 Scope. This standard establishes a common set of criteria for emergency management and business continuity programs; mass evacuation, sheltering, and re-entry programs; and the development of pre-incident plans for personnel responding to emergencies.

NFPA (National Fire Protection Association)

Dawn Michele Bellis <dbellis@nfpa.org> | One Batterymarch Park | Quincy, MA 02169 www.nfpa.org

Revision

BSR/NFPA 1891-202x, Standard on Selection, Care, and Maintenance of Hazardous Materials, CBRN, and Emergency Medical Operations Clothing and Equipment (revision of ANSI/NFPA 1891-2022)

Stakeholders: Manufacturers, users, installers/maintainers, labor, enforcing authorities, insurance, consumers, special experts, and research and testing.

Project Need: Public Interest and Need

Interest Categories: Manufacturer (M), User (U, Installer/Maintainer (I/M), Labor (L), Applied Research/Testing Laboratory (R/T), Enforcing Authority (E), Insurance (I), Consumer (C), and Special Expert (SE)

Please refer to the following link <https://www.nfpa.org/tclass> for more information about our classifications

1.1 Scope. 1.1.1 This standard shall specify the minimum requirements for the selection, care, and maintenance of hazardous materials, CBRN, and emergency medical operations (hazmat/CBRN/EMO) ensembles and ensemble elements, that are used for protection during hazardous materials emergencies, CBRN incidents, and emergency medical operations, and are certified against NFPA 1999 or NFPA 1990, which incorporates NFPA 1991, NFPA 1992, and NFPA 1994. 1.1.1.1 Individual clothing items addressed within this standard are limited to items certified against the NFPA 1992 and NFPA 1994 Class 5 portions of NFPA 1990. 1.1.1.2 Emergency medical operations (EMO) PPE addressed within this standard are limited to single-use and multiple-use ensembles certified against NFPA 1999. 1.1.2 This standard shall also specify requirements for hazmat/CBRN/EMO PPE manufactured to previous editions of NFPA 1991, NFPA 1992, NFPA 1994, and NFPA 1999. 1.1.3 This standard shall not be construed as addressing all of the safety concerns associated with the use of compliant hazmat/CBRN/EMO PPE. The persons and AHJs that use compliant hazmat/CBRN/EMO PPE shall be responsible for establishing safety and health practices and for determining the applicability of regulatory limitations before use.

NFPA (National Fire Protection Association)

Dawn Michele Bellis <dbellis@nfpa.org> | One Batterymarch Park | Quincy, MA 02169 www.nfpa.org

Revision

BSR/NFPA 1900-202x, Standard for Aircraft Rescue and Firefighting Vehicles, Automotive Fire Apparatus, Wildland Fire Apparatus, and Automotive Ambulances (revision of ANSI/NFPA 1900-2024)

Stakeholders: Manufacturers, users, installers/maintainers, labor, enforcing authorities, insurance, consumers, special experts, and research and testing.

Project Need: Public Interest and Need

Interest Categories: Manufacturer (M), User (U, Installer/Maintainer (I/M), Labor (L), Applied Research/Testing Laboratory (R/T), Enforcing Authority (E), Insurance (I), Consumer (C), and Special Expert (SE)

Please refer to the following link <https://www.nfpa.org/tclass> for more information about our classifications

1.1 Scope. 1.1.1 This standard defines the minimum requirements for the design, performance, acceptance criteria, and testing of aircraft rescue and firefighting apparatus, new automotive fire apparatus and trailers, wildland fire apparatus, and automotive and remounted ambulances. 1.1.2 Vehicles without wheels are not covered by this standard.

NFPA (National Fire Protection Association)

Dawn Michele Bellis <dbellis@nfpa.org> | One Batterymarch Park | Quincy, MA 02169 www.nfpa.org

Revision

BSR/NFPA 1910-202x, Standard for the Inspection, Maintenance, Refurbishment, Testing, and Retirement of In-Service Emergency Vehicles and Marine Firefighting Vessels (revision of ANSI/NFPA 1910-2024)

Stakeholders: Manufacturers, users, installers/maintainers, labor, enforcing authorities, insurance, consumers, special experts, and research and testing.

Project Need: Public Interest and Need

Interest Categories: Manufacturer (M), User (U, Installer/Maintainer (I/M), Labor (L), Applied Research/Testing Laboratory (R/T), Enforcing Authority (E), Insurance (I), Consumer (C), and Special Expert (SE)

Please refer to the following link <https://www.nfpa.org/tclass> for more information about our classifications

1.1 Scope. 1.1.1 This standard defines the minimum requirements for establishing an inspection, maintenance, refurbishment, retirement, and testing program for in-service emergency vehicles and marine firefighting vessels.

1.1.2 This standard shall provide minimum requirements for marine firefighting vessels. 1.1.3 This standard identifies the minimum job performance requirements (JPRs) for emergency vehicle technicians.

SCTE (Society of Cable Telecommunications Engineers)

Natasha Aden <naden@scte.org> | 140 Philips Road | Exton, PA 19341-1318 www.scte.org

Revision

BSR/SCTE 203 202x-202x, Product Environmental Requirements for Cable Telecommunications Facilities – Test Methods (revision of ANSI/SCTE 203-2019)

Stakeholders: Cable Telecommunications Industry

Project Need: Update to current technology

Interest Categories: Producer, User, General Interest

The specification's purpose is to define test methods to evaluate equipment compliance with criteria specified in ANSI/SCTE 186-2021. This document specifies physical, environmental, electrical, and sustainability test procedures to evaluate equipment compliance with requirements defined in ANSI/SCTE 186-2021.

TAPPI (Technical Association of the Pulp and Paper Industry)

Sidney Onyekwere <standards@tappi.org> | 15 Technology Parkway, Suite 115 | Peachtree Corners, GA 30092 www.tappi.org

Reaffirmation

BSR/TAPPI T 441 om-2020 (R202x), Water absorptiveness of sized (non-bibulous) paper, paperboard, and corrugated fiberboard (Cobb test) (reaffirmation of ANSI/TAPPI T 441 om-2020)

Stakeholders: Manufacturers of pulp, paper, packaging, or related products, consumers or converters of such products, and suppliers of equipment, supplies, or raw materials for the manufacture of such products.

Project Need: To conduct required five-year review of an existing TAPPI/ANSI Standard.

Interest Categories: Producers, Converters, Suppliers of chemical/raw materials, Suppliers of manufacturing equipment, Service and general suppliers, Commercial users, Marketers and Commercial Sellers, Consultants, Educators, General Interest

This method describes a procedure for determining the quantity of water absorbed by nonbibulous paper, paperboard, and corrugated fiberboard in a specified time under standardized conditions. It is based on studies by Cobb and Lowe, Cobb, and other investigators.

TAPPI (Technical Association of the Pulp and Paper Industry)

Sidney Onyekwere <standards@tappi.org> | 15 Technology Parkway, Suite 115 | Peachtree Corners, GA 30092 www.tappi.org

Reaffirmation

BSR/TAPPI T 455 sp-2014 (R202x), Identification of wire side of paper (reaffirmation of ANSI/TAPPI T 455 sp-2014 (R2020))

Stakeholders: Manufacturers of pulp, paper, packaging, or related products, consumers or converters of such products, and suppliers of equipment, supplies, or raw materials for the manufacture of such products.

Project Need: To conduct required five-year review of an existing TAPPI/ANSI Standard.

Interest Categories: Producers, Converters, Suppliers of chemical/raw materials, Suppliers of manufacturing equipment, Service and general suppliers, Commercial users, Marketers and Commercial Sellers, Consultants, Educators, General Interest

This method describes procedures for identifying the wire side of paper made on a fourdrinier paper machine with a single wire or forming fabric. The term "wire side" will be used throughout this method and relates to the side of the sheet made in contact to either the machine wire or forming fabric.

TAPPI (Technical Association of the Pulp and Paper Industry)

Sidney Onyekwere <standards@tappi.org> | 15 Technology Parkway, Suite 115 | Peachtree Corners, GA 30092 www.tappi.org

Reaffirmation

BSR/TAPPI T 515 om-2020 (R202x), Visual grading and color matching of paper (reaffirmation of ANSI/TAPPI T 515 om-2020)

Stakeholders: Manufacturers of pulp, paper, packaging, or related products, consumers or converters of such products, and suppliers of equipment, supplies, or raw materials for the manufacture of such products.

Project Need: To conduct required five-year review of an existing TAPPI/ANSI Standard.

Interest Categories: Producers, Converters, Suppliers of chemical/raw materials, Suppliers of manufacturing equipment, Service and general suppliers, Commercial users, Marketers and Commercial Sellers, Consultants, Educators, General Interest

This method describes the spectral, photometric, and geometric characteristics of a light source, the illuminating and viewing conditions, and the procedures to be used for the visual evaluation of color differences of paper, including those containing fluorescent whitening agents.

TAPPI (Technical Association of the Pulp and Paper Industry)

Sidney Onyekwere <standards@tappi.org> | 15 Technology Parkway, Suite 115 | Peachtree Corners, GA 30092 www.tappi.org

Reaffirmation

BSR/TAPPI T 804 om-2020 (R202x), Compression test of fiberboard shipping containers (reaffirmation of ANSI/TAPPI T 804 om-2020)

Stakeholders: Manufacturers of pulp, paper, packaging, or related products, consumers or converters of such products, and suppliers of equipment, supplies, or raw materials for the manufacture of such products.

Project Need: To conduct required five-year review of an existing TAPPI/ANSI Standard.

Interest Categories: Producers, Converters, Suppliers of chemical/raw materials, Suppliers of manufacturing equipment, Service and general suppliers, Commercial users, Marketers and Commercial Sellers, Consultants, Educators, General Interest

This method is used for measuring the ability of corrugated or solid fiber shipping containers to resist external compressive forces.

TAPPI (Technical Association of the Pulp and Paper Industry)

Sidney Onyekwere <standards@tappi.org> | 15 Technology Parkway, Suite 115 | Peachtree Corners, GA 30092 www.tappi.org

Reaffirmation

BSR/TAPPI T 843 om-2020 (R202x), Fluted edge crush of corrugating medium (rigid support method) (reaffirmation of ANSI/TAPPI T 843 om-2020)

Stakeholders: Manufacturers of pulp, paper, packaging, or related products, consumers or converters of such products, and suppliers of equipment, supplies, or raw materials for the manufacture of such products.

Project Need: To conduct required five-year review of an existing TAPPI/ANSI Standard.

Interest Categories: Producers, Converters, Suppliers of chemical/raw materials, Suppliers of manufacturing equipment, Service and general suppliers, Commercial users, Marketers and Commercial Sellers, Consultants, Educators, General Interest

This test evaluates the ability of corrugating medium to contribute to the compression strength of a corrugated box. It is a procedure for measuring the edgewise compression strength of a laboratory-fluted strip of corrugating medium in a direction parallel to the fluted tips.

TAPPI (Technical Association of the Pulp and Paper Industry)

Sidney Onyekwere <standards@tappi.org> | 15 Technology Parkway, Suite 115 | Peachtree Corners, GA 30092 www.tappi.org

Reaffirmation

BSR/TAPPI T 845 om-2014 (R202x), Wet pin adhesion of corrugated board by selective separation (reaffirmation of ANSI/TAPPI T 845 om-2014 (R2020))

Stakeholders: Manufacturers of pulp, paper, packaging, or related products, consumers or converters of such products, and suppliers of equipment, supplies, or raw materials for the manufacture of such products.

Project Need: To conduct required five-year review of an existing TAPPI/ANSI Standard.

Interest Categories: Producers, Converters, Suppliers of chemical/raw materials, Suppliers of manufacturing equipment, Service and general suppliers, Commercial users, Marketers and Commercial Sellers, Consultants, Educators, General Interest

This method measures the force required to separate the linerboard facings from the medium in corrugated board after the board has been immersed in water for a period of time. It may be used to evaluate the water resistance properties or levels in water resistant adhesive.

TAPPI (Technical Association of the Pulp and Paper Industry)

Sidney Onyekwere <standards@tappi.org> | 15 Technology Parkway, Suite 115 | Peachtree Corners, GA 30092 www.tappi.org

Reaffirmation

BSR/TAPPI T 1205 sp-2014 (R202x), Dealing with suspect (outlying) test determinations (reaffirmation of ANSI/TAPPI T 1205 sp-2014 (R2020))

Stakeholders: Manufacturers of pulp, paper, packaging, or related products, consumers or converters of such products, and suppliers of equipment, supplies, or raw materials for the manufacture of such products.

Project Need: To conduct required five-year review of an existing TAPPI/ANSI Standard.

Interest Categories: Producers, Converters, Suppliers of chemical/raw materials, Suppliers of manufacturing equipment, Service and general suppliers, Commercial users, Marketers and Commercial Sellers, Consultants, Educators, General Interest

This TAPPI Standard Practice provides a procedure for judging whether suspect test determinations should be investigated further for possible rejection. A suspect determination (apparent outlier) is one that appears to deviate markedly from other determinations on the same sample of material. An outlying determination (outlier) is a suspect determination for which the deviation has, in fact, been found to be significant using an appropriate statistical test.

ULSE (UL Standards & Engagement)

Susan Malohn <Susan.P.Malohn@ul.org> | 1603 Orrington Ave, Suite 20000 | Evanston, IL 60201 <https://ulse.org/>

New Standard

BSR/UL 3141-202x, Standard for Safety for Power Control Systems (new standard)

Stakeholders: Energy industry, including utilities, AHJs, manufacturers, installers, users and authorized personnel for distributed energy resource systems, and certification bodies

Project Need: There is a need for a standard to address Distributed Energy Resource (DER) systems which are becoming increasingly complex and now include numerous mandatory grid support functions that control active or reactive power/currents. In addition, new utility interconnection requirements are being established in California and Hawaii that limit the allowable steady-state power/currents that can be imported or exported from the Point of Common Coupling (PCC). The electrification of the transportation sector will place significant new demands on the utility grid increasing the importance of DER and load management in the safe, reliable, and cost-effective operation of the grid. An additional key issue addressed by this standard is the need for an increased level of functional reliability of DER and load management to prevent overloading of busbars and conductors on the premises wiring as well as utility owned assets serving the facility.

Interest Categories: AHJ, Commercial/Industrial Users, General Interest, Producers, Supply Chain, Government, and Testing & Standards

This first issue of the Standard for Power Control Systems, UL 3141, is intended to be a joint standard for the US and Canada. These requirements cover Power Control Systems (PCS) used in Distributed Energy Resource (DER) systems which include one or more power sources in addition to the primary power source, typically the utility grid. The requirements in this standard are intended to evaluate PCS that electronically control power or current flow within power distribution equipment, or within conductors at an external location, via use of external measurement and control device(s). The products covered by these requirements are intended to be installed in accordance with the National Electrical Code, NFPA 70, and with the Canadian Electrical Code, Part I Safety Standard for Electrical Installations, CSA C22.1.

Call for Comment on Standards Proposals

American National Standards

This section solicits public comments on proposed draft new American National Standards, including the national adoption of ISO and IEC standards as American National Standards, and on proposals to revise, reaffirm or withdraw approval of existing American National Standards. A draft standard is listed in this section under the ANSI-accredited standards developer (ASD) that sponsors it and from whom a copy may be obtained. Comments in connection with a draft American National Standard must be submitted in writing to the ASD no later than the last day of the comment period specified herein. Such comments shall be specific to the section (s) of the standard under review and include sufficient detail so as to enable the reader to understand the commenter's position, concerns and suggested alternative language, if appropriate. Please note that the ANSI Executive Standards Council (ExSC) has determined that an ASD has the right to require that interested parties submit public review comments electronically, in accordance with the developer's procedures.

Ordering Instructions for "Call-for-Comment" Listings

1. Order from the organization indicated for the specific proposal.
2. Use the full identification in your order, including the BSR prefix; for example, Electric Fuses BSR/SAE J554.
3. Include remittance with all orders.
4. BSR proposals will not be available after the deadline of call for comment.

Comments should be addressed to the organization indicated, with a copy to the Board of Standards Review, American National Standards Institute, 25 West 43rd Street, New York, NY 10036. e-mail: psa@ansi.org

* Standard for consumer products

Comment Deadline: February 18, 2024

IACET (International Association for Continuing Education and Training)

2201 Cooperative Way, Suite 600, Herndon, VA 20171 | Sherard.jones@iacet.org, www.iacet.org

Revision

BSR/IACET 1-202x, Standard for Continuing Education and Training (revision of ANSI/IACET 1-2018)

The standard provides a framework of continuous improvement to developers of adult non-credit continuing education events. The standard provides guidance for organizations designing, developing, and delivering continuing education and training (CE/T) programs and is intended for organizations who want to demonstrate: (1) Their learning events meet the requirements and rigor of an internationally recognized standard; (2) Their commitment to educational rigor, excellence, and integrity, and; (3) A learner completing their program has completed a quality training program that adheres to an internationally recognized standard.

[Click here to view these changes in full](#)

Send comments (copy psa@ansi.org) to: www.iacet.org/rfc

NSF (NSF International)

789 N. Dixboro Road, Ann Arbor, MI 48105 | mmilla@nsf.org, www.nsf.org

Revision

BSR/NSF 401-202x (i33r2), Drinking Water Treatment Units - Emerging Compounds /Incidental Contaminants (revision of ANSI/NSF 401-2022)

The point-of-use (POU) and point-of-entry (POE) systems addressed by this standard are designed to be used for the reduction of specific substances that may be present in drinking water (public or private), considered to be microbiologically safe, and of known quality. Systems covered under this standard are intended to reduce substances that are at very low, yet measurable concentrations, but not at definitive concentrations of known health concern.

[Click here to view these changes in full](#)

Send comments (copy psa@ansi.org) to: Monica Milla <mmilla@nsf.org>

Comment Deadline: February 18, 2024

ULSE (UL Standards & Engagement)

12 Laboratory Drive, Research Triangle Park, NC 27709-3995 | marina.currie@ul.org, <https://ulse.org/>

Revision

BSR/UL 399-202x, Standard for Safety for Drinking Water Coolers (revision of ANSI/UL 399-2023)

Compliance to UL 4200A for Water Coolers Using Button Cell Batteries.

[Click here to view these changes in full](#)

Send comments (copy psa@ansi.org) to: Follow the instructions in the following website to enter comments into the CSDS Work Area: <https://csds.ul.com/ProposalAvailable>.

Comment Deadline: March 4, 2024

ASHRAE (American Society of Heating, Refrigerating and Air-Conditioning Engineers, Inc.)

180 Technology Parkway, Peachtree Corners, GA 30092 | cking@ashrae.org, www.ashrae.org

Addenda

BSR/ASHRAE Addendum cs to ANSI/ASHRAE Standard 135-2020, BACnet - A Data Communication Protocol for Building Automation and Control Networks (addenda to ANSI/ASHRAE Standard 135-2020)

With the addition of the BACnet/SC data link, an interoperable, out-of-band method to exchange Certificate Signing Request (CSR) files and the resulting Operational and Issuer certificate files between a device, or its proxy, and a Certificate Authority are required. This addendum provides a simple structured file format to exchange these files using the ZIP file format to compress the folders and files into a request and response file.

Single copy price: \$35.00

Obtain an electronic copy from: <http://www.ashrae.org/standards-research-technology/public-review-drafts>

Send comments (copy psa@ansi.org) to: <http://www.ashrae.org/standards-research-technology/public-review-drafts>

ASQ (ASC Z1) (American Society for Quality)

600 N Plankinton Avenue, Milwaukee, WI 53201 | espaulding@asq.org, www.asq.org

Reaffirmation

BSR/ASQ Z1.4-2003 (R202x), Sampling procedures and tables for inspection by attributes (reaffirmation and redesignation of ANSI/ASQ Z1.4-2003 (R2013))

Establishes sampling plans and procedures for inspection by attributes. When specified by the responsible authority, this publication shall be referenced in the specification, contract, inspection instructions, or other documents and the provisions set forth herein shall govern. The "responsible authority" shall be designated in one of the above documents, as agreed to by the purchaser and seller or producer and user.

Single copy price: \$199.00

Obtain an electronic copy from: standards@asq.org

Send comments (copy psa@ansi.org) to: Jennifer Admussen <standards@asq.org>

Comment Deadline: March 4, 2024

ASQ (ASC Z1) (American Society for Quality)

600 N Plankinton Avenue, Milwaukee, WI 53201 | espaulding@asq.org, www.asq.org

Reaffirmation

BSR/ASQ Z1.9-2003 (R202x), Sampling procedures and tables for inspection by variables for percent nonconforming (reaffirmation and redesignation of ANSI/ASQ Z1.9-2003 (R2013))

This standard was prepared to meet a need for the use of standard sampling plans for inspection by variables in procurement, supply and storage, and maintenance inspection operations. The variables sampling plans apply to a single-quality characteristic which can be measured on a continuous scale, and for which quality is expressed in terms of percent nonconforming. The theory underlying the development of the variables sampling plans, including the operating characteristic curves, assumes that measurement of the quality characteristics are independent, identically normally distributed random variables.

Single copy price: \$179.00

Obtain an electronic copy from: standards@asq.org

Send comments (copy psa@ansi.org) to: Same

AWS (American Welding Society)

8669 NW 36th Street, Suite 130, Miami, FL 33166-6672 | jrosario@aws.org, www.aws.org

Revision

BSR/AWS D15.1/D15.1M-202x, Railroad Welding Specification for Cars and Locomotives (revision of ANSI/AWS D15.1/D15.1M-2021-AMD1)

This specification establishes minimum welding standards for the manufacture and maintenance of railcars, locomotives, and their components, intended for North American railroad service. Clauses 4 through 16 cover the general requirements for welding in the railroad industry. Clauses 17 through 22 cover specific requirements for the welding of base metals thinner than 1/8 in [3 mm].

Single copy price: \$70.50

Obtain an electronic copy from: jrosario@aws.org

Send comments (copy psa@ansi.org) to: Jennifer Rosario <jrosario@aws.org>

AWWA (American Water Works Association)

6666 W. Quincy Avenue, Denver, CO 80235 | polson@awwa.org, www.awwa.org

Revision

BSR/AWWA C224-202x, Nylon-11-Based Polyamide Coatings and Linings for Steel Water Pipe and Fittings (revision of ANSI/AWWA C224-2017)

This standard describes Nylon-11-based polyamide systems for lining and coating of steel pipe, connections, fittings, and special sections (articles) that are used in water-handling equipment that is installed aboveground, belowground, or underwater.

Single copy price: Free

Obtain an electronic copy from: ETSsupport@awwa.org

Send comments (copy psa@ansi.org) to: Paul Olson <polson@awwa.org>

Comment Deadline: March 4, 2024

B11 (B11 Standards, Inc.)

P.O. Box 690905, Houston, TX 77269 | cfelinski@b11standards.org, <https://www.b11standards.org/>

Revision

BSR/B11.27-202x, Safety Requirements For Electrical Discharge Machines (revision of ANSI B11.27-2020)

This standard specifies safety requirements and/or risk reduction measures, applicable to Electrical Discharge Machine (EDM) equipment and EDM systems, such as: (a) manually controlled, die sinking; drilling machines; (b) numerically controlled, die sinking; drilling machines; wire cutting machines. This standard addresses hazardous conditions during the use and foreseeable misuse in normal environments and non-explosive atmospheres and associated machine tasks including transportation, installation, maintenance, repair, and dismantling for removal or disposal. This standard is also applicable to auxiliary devices essential for EDM processing and includes information to be provided by the supplier to the user. This standard is not applicable to arc eroding and electrochemical machining equipment.

Single copy price: \$120.00

Obtain an electronic copy from: cfelinski@b11standards.org

Send comments (copy psa@ansi.org) to: Chris Felinski <cfelinski@b11standards.org>

BHMA (Builders Hardware Manufacturers Association)

355 Lexington Avenue, 15th Floor, New York, NY 10017-6603 | Kbishop@Kellencompany.com, www.buildershardware.com

Revision

BSR/BHMA 156.11-202x, Standard for Cabinet Locks (revision of ANSI/BHMA A156.11-2019)

This standard contains requirements for locks used on cabinets. These enclosures are accessed via doors or drawers. Cycle tests, operational tests, and strength tests are included.

Single copy price: \$36.00 non-member, \$18.00 member

Obtain an electronic copy from: KBishop@Kellencompany.com

Send comments (copy psa@ansi.org) to: Same

BHMA (Builders Hardware Manufacturers Association)

17 Faulkner Drive, Niantic, CT 06357 | mtierney@kellencompany.com, www.buildershardware.com

Revision

BSR/BHMA A156.4-202x, Door Controls and Pivots (revision of ANSI/BHMA A156.4-2019)

This Standard contains requirements for door closers: surface mounted, concealed in the door, overhead concealed, and concealed in the floor. Also included are pivots for floor closers. Criteria for conformance include cycle, operational, and closing force tests. Optional tests which shall be specified separately are also included.

Single copy price: \$36.00

Obtain an electronic copy from: mptierney@snet.net

Send comments (copy psa@ansi.org) to: mptierney@snet.net

Comment Deadline: March 4, 2024

BHMA (Builders Hardware Manufacturers Association)

355 Lexington Avenue, 15th Floor, New York, NY 10017-6603 | Kbishop@Kellencompany.com, www.buildershardware.com

Revision

BSR/BHMA A156.14-202x, Standard for Sliding and Folding Door Hardware (revision of ANSI/BHMA A156.14-2019)

This Standard contains performance requirements for different size and weight Sliding and Folding Door Hardware used for both residential and commercial applications. This includes cycle, abuse, durability, static load, smoothness, static and kinetic friction tests. ↑

Single copy price: \$36.00 non-member; \$18.00 member

Obtain an electronic copy from: kbishop@Kellencompany.com

Send comments (copy psa@ansi.org) to: Same

BHMA (Builders Hardware Manufacturers Association)

17 Faulkner Drive, Niantic, CT 06357 | mtierney@kellencompany.com, www.buildershardware.com

Revision

BSR/BHMA A156.31-202x, Standard for Electric Strikes and Frame Mounted Actuators (revision of ANSI/BHMA A156.31-2019)

ANSI/BHMA A156.31 establishes requirements for Electric Strikes and Frame-Mounted Actuators, including operational tests. ↑

Single copy price: \$36.00

Obtain an electronic copy from: mptierney@snet.net

Send comments (copy psa@ansi.org) to: Same

BHMA (Builders Hardware Manufacturers Association)

355 Lexington Avenue, 15th Floor, New York, NY 10017-6603 | Kbishop@Kellencompany.com, www.buildershardware.com

Revision

BSR/BHMA A156.33-202x, Standard for Internally Powered Architectural Hardware Devices (revision of ANSI/BHMA A156.33-2019)

The standard contains methods for verifying manufacturer's claims for principle battery performance in different use models for various types of internally powered architectural hardware. This Standard applies to both commercial and residential products. ↑

Single copy price: \$36.00 non-member; \$18.00 member

Obtain an electronic copy from: KBishop@Kellencompany.com

Send comments (copy psa@ansi.org) to: Karen Bishop <Kbishop@Kellencompany.com>

Comment Deadline: March 4, 2024

IICRC (The Institute of Inspection, Cleaning and Restoration Certification)

4043 South Eastern Avenue, Las Vegas, NV 89119 | mwashington@iicrcnet.org, <https://www.iicrc.org>

New Standard

BSR/IICRC S760-202x, Standard for Professional Wildfire Investigations and Restoration of Impacts to Structures, Systems, and Contents (new standard)

This collaborative standard describes practical principles, methods, and processes to investigate, evaluate, and restore the interior and exterior of structures and improvements, and contents impacted by wildfire smoke emissions. In addition, this standard will also describe the basic principles governing wildfire particle and residue infiltration, distribution, and eventual settlement on surfaces. The goal of this standard is to aid the competent professional, restorer, and other trades and professions involved in restoration, in defining the scope of a project and preparation of a work plan. This standard also establishes post-restorative methods and processes to evaluate the execution of the scope of work, and verify the cleanliness of structures and contents impacted from wildfire smoke.

Single copy price: Free

Obtain an electronic copy from: <https://iicrc.org/s760/>

Send comments (copy psa@ansi.org) to: <https://iicrc.org/s760/>

NSF (NSF International)

789 N. Dixboro Road, Ann Arbor, MI 48105-9723 | jsnider@nsf.org, www.nsf.org

Revision

BSR/NSF 350-202x (i63r8), Onsite Residential and Commercial Water Reuse Treatment Systems (revision of ANSI/NSF 350-2022)

This standard contains minimum requirements for onsite residential and commercial water reuse treatment systems. Systems include greywater treatment systems; residential wastewater treatment systems; and commercial treatment systems.

Single copy price: Free

Obtain an electronic copy from: <https://standards.nsf.org/higherlogic/ws/public/download/72609/350i63r8%20-%20JC%20Memo%20%26%20ballot.pdf>

Send comments (copy psa@ansi.org) to: Jason Snider <jsnider@nsf.org>

NSF (NSF International)

789 N. Dixboro Road, Ann Arbor, MI 48105-9723 | jsnider@nsf.org, www.nsf.org

Revision

BSR/NSF/CAN 50-202x (i172r4), Equipment and Chemicals for Swimming Pools, Spas, Hot Tubs, and Other Recreational Water Facilities (revision of ANSI/NSF 50-2023)

This standard covers materials, chemicals, components, products, equipment, and systems related to public and residential recreational water facility operation.

Single copy price: Free

Obtain an electronic copy from: <https://standards.nsf.org/higherlogic/ws/public/download/72559/50i172r4%20-%20JC%20memo%20%26%20ballot.pdf>

Send comments (copy psa@ansi.org) to: Jason Snider <jsnider@nsf.org>

Comment Deadline: March 19, 2024

ITI (INCITS) (InterNational Committee for Information Technology Standards)

700 K Street NW, Suite 600, Washington, DC 20001 | comments@standards.incits.org, www.incits.org

National Adoption

INCITS/ISO/IEC 1539-1:2023 [202x], Programming Languages - Fortran - Part 1: Base Language (identical national adoption of ISO/IEC 1539-1:2023 and revision of INCITS/ISO/IEC 1539-1:2018 [2019])

Specifies the form and establishes the interpretation of programs expressed in the base Fortran language. The purpose of this document is to promote portability, reliability, maintainability, and efficient execution of Fortran programs for use on a variety of computing systems. This document specifies the forms that a program written in the Fortran language can take, the rules for interpreting the meaning of a program and its data, the form of the input data to be processed by such a program, and the form of the output data resulting from the use of such a program.

Single copy price: \$263.00

Obtain an electronic copy from: <http://webstore.ansi.org>

Order from: <http://webstore.ansi.org>

Send comments (copy psa@ansi.org) to: Barbara Bennett <comments@standards.incits.org>

ITI (INCITS) (InterNational Committee for Information Technology Standards)

700 K Street NW, Suite 600, Washington, DC 20001 | comments@standards.incits.org, www.incits.org

National Adoption

INCITS/ISO/IEC 4922-1:2023 [202x], Information security - Secure multiparty computation - Part 1: General (identical national adoption of ISO/IEC 4922-1:2023)

Specifies definitions, terminology, and processes for secure multiparty computation and related technology, in order to establish a taxonomy and enable interoperability. In particular, this document defines the processes involved in cryptographic mechanisms which compute a function on data while the data are kept private; the participating parties; and the cryptographic properties. The terminology contained in this document is common to the ISO/IEC 4922 series.

Single copy price: \$77.00

Obtain an electronic copy from: <http://webstore.ansi.org>

Order from: <http://webstore.ansi.org>

Send comments (copy psa@ansi.org) to: Barbara Bennett <comments@standards.incits.org>

ITI (INCITS) (InterNational Committee for Information Technology Standards)

700 K Street NW, Suite 600, Washington, DC 20001 | comments@standards.incits.org, www.incits.org

National Adoption

INCITS/ISO/IEC 9797-1:2011/AM1:2023 [202x], Information technology - Security techniques - Message Authentication Codes (MACs) - Part 1: Mechanisms using a block cipher - Amendment 1 (identical national adoption of ISO/IEC 9797-1:2011/AM1:2023)

Amendment 1 to ISO/IEC 9797-1:2011.

Single copy price: \$22.00

Obtain an electronic copy from: <http://webstore.ansi.org>

Order from: <http://webstore.ansi.org>

Send comments (copy psa@ansi.org) to: Barbara Bennett <comments@standards.incits.org>

Comment Deadline: March 19, 2024

ITI (INCITS) (InterNational Committee for Information Technology Standards)

700 K Street NW, Suite 600, Washington, DC 20001 | comments@standards.incits.org, www.incits.org

National Adoption

INCITS/ISO/IEC 19989-1:2020 [202x], Information security - Criteria and methodology for security evaluation of biometric systems - Part 1: Framework (identical national adoption of ISO/IEC 19989-1:2020)

Introduces the general framework for the security evaluation of biometric systems, including extended security functional components, and supplementary activities to methodology, which is additional evaluation activities and guidance/recommendations for an evaluator to handle those activities.

Single copy price: \$237.00

Obtain an electronic copy from: <http://webstore.ansi.org>

Order from: <http://webstore.ansi.org>

Send comments (copy psa@ansi.org) to: Barbara Bennett <comments@standards.incits.org>

ITI (INCITS) (InterNational Committee for Information Technology Standards)

700 K Street NW, Suite 600, Washington, DC 20001 | comments@standards.incits.org, www.incits.org

National Adoption

INCITS/ISO/IEC 19989-2:2020 [202x], Information security - Criteria and methodology for security evaluation of biometric systems - Part 2: Biometric recognition performance (identical national adoption of ISO/IEC 19989-2:2020)

This document is dedicated to the security evaluation of biometric recognition performance applying the ISO/IEC 15408 series. It provides requirements and recommendations to the developer and the evaluator for the supplementary activities on biometric recognition performance specified in ISO/IEC 19989-1. The evaluation of presentation attack detection techniques is out of the scope of this document except for presentation from impostor attempts under the policy of the intended use following the TOE guidance documentation.

Single copy price: \$183.00

Obtain an electronic copy from: <http://webstore.ansi.org>

Order from: <http://webstore.ansi.org>

Send comments (copy psa@ansi.org) to: Barbara Bennett <comments@standards.incits.org>

ITI (INCITS) (InterNational Committee for Information Technology Standards)

700 K Street NW, Suite 600, Washington, DC 20001 | comments@standards.incits.org, www.incits.org

National Adoption

INCITS/ISO/IEC 19989-3:2020 [202x], Information security - Criteria and methodology for security evaluation of biometric systems - Part 3: Presentation attack detection (identical national adoption of ISO/IEC 19989-3:2020)

For security evaluation of biometric verification systems and biometric identification systems, this document is dedicated to security evaluation of presentation attack detection applying the ISO/IEC 15408 series. It provides recommendations and requirements to the developer and the evaluator for the supplementary activities on presentation attack detection specified in ISO/IEC 19989-1. This document is applicable only to TOEs for single biometric characteristic type but for the selection of a characteristic from multiple characteristics.

Single copy price: \$116.00

Obtain an electronic copy from: <http://webstore.ansi.org>

Order from: <http://webstore.ansi.org>

Send comments (copy psa@ansi.org) to: Barbara Bennett <comments@standards.incits.org>

Comment Deadline: March 19, 2024

ITI (INCITS) (InterNational Committee for Information Technology Standards)

700 K Street NW, Suite 600, Washington, DC 20001 | comments@standards.incits.org, www.incits.org

National Adoption

INCITS/ISO/IEC 20897-1:2020 [202x], Information security, cybersecurity and privacy protection - Physically unclonable functions - Part 1: Security requirements (identical national adoption of ISO/IEC 20897-1:2020) Specifies the security requirements for physically unclonable functions (PUFs). Specified security requirements concern the output properties, tamper-resistance and unclonability of a single and a batch of PUFs. Since it depends on the application which security requirements a PUF needs to meet, this document also describes the typical use cases of a PUF. Amongst PUF use cases, random number generation is out of scope in this document. Single copy price: \$116.00

Obtain an electronic copy from: <http://webstore.ansi.org>

Order from: <http://webstore.ansi.org>

Send comments (copy psa@ansi.org) to: Barbara Bennett <comments@standards.incits.org>

ITI (INCITS) (InterNational Committee for Information Technology Standards)

700 K Street NW, Suite 600, Washington, DC 20001 | comments@standards.incits.org, www.incits.org

National Adoption

INCITS/ISO/IEC 23837-1:2023 [202x], Information security - Security requirements, test and evaluation methods for quantum key distribution - Part 1: Requirements (identical national adoption of ISO/IEC 23837-1:2023) Specifies a general framework for the security evaluation of quantum key distribution (QKD) according to the ISO/IEC 15408 series. Specifically, it specifies a baseline set of common security functional requirements (SFRs) for QKD modules, including SFRs on the conventional network components and the quantum optical components, and the entire implementation of QKD protocols. Single copy price: \$237.00

Obtain an electronic copy from: <http://webstore.ansi.org>

Order from: <http://webstore.ansi.org>

Send comments (copy psa@ansi.org) to: Barbara Bennett <comments@standards.incits.org>

ITI (INCITS) (InterNational Committee for Information Technology Standards)

700 K Street NW, Suite 600, Washington, DC 20001 | comments@standards.incits.org, www.incits.org

National Adoption

INCITS/ISO/IEC 27050-1:2019 [202x], Information technology - Electronic discovery - Part 1: Overview and concepts (identical national adoption of ISO/IEC 27050-1:2019 and revision of INCITS/ISO/IEC 27050-1:2016 [2019])

Provides an overview of electronic discovery. In addition, it defines related terms and describes the concepts, including, but not limited to, identification, preservation, collection, processing, review, analysis, and production of ESI. This document also identifies other relevant standards (e.g., ISO/IEC 27037) and how they relate to, and interact with, electronic discovery activities. Single copy price: \$157.00

Single copy price: \$157.00

Obtain an electronic copy from: <http://webstore.ansi.org>

Order from: <http://webstore.ansi.org>

Send comments (copy psa@ansi.org) to: Barbara Bennett <comments@standards.incits.org>

Comment Deadline: March 19, 2024

ITI (INCITS) (InterNational Committee for Information Technology Standards)

700 K Street NW, Suite 600, Washington, DC 20001 | comments@standards.incits.org, www.incits.org

National Adoption

INCITS/ISO/IEC 24392:2023 [202x], Cybersecurity - Security reference model for industrial internet platform (SRM- IIP) (identical national adoption of ISO/IEC 24392:2023)

Presents specific characteristics of industrial internet platforms (IIPs), including related security threats, context-specific security control objectives and security controls. This document covers specific security concerns in the industrial context and thus complements generic security standards and reference models. In particular, this document includes secure data collection and transmission among industrial devices, data security of industrial cloud platforms, and secure collaborations with various industry stakeholders.

Single copy price: \$183.00

Obtain an electronic copy from: <http://webstore.ansi.org>

Order from: <http://webstore.ansi.org>

Send comments (copy psa@ansi.org) to: Barbara Bennett <comments@standards.incits.org>

ITI (INCITS) (InterNational Committee for Information Technology Standards)

700 K Street NW, Suite 600, Washington, DC 20001 | comments@standards.incits.org, www.incits.org

National Adoption

INCITS/ISO/IEC 27071:2023 [202x], Cybersecurity - Security recommendations for establishing trusted connections between devices and services (identical national adoption of ISO/IEC 27071:2023)

Provides a framework and recommendations for establishing trusted connections between devices and services based on hardware security modules. It includes recommendations for components such as: hardware security module, roots of trust, identity, authentication and key establishment, remote attestation, data integrity and authenticity. This document is applicable to scenarios that establish trusted connections between devices and services based on hardware security modules.

Single copy price: \$157.00

Obtain an electronic copy from: <http://webstore.ansi.org>

Order from: <http://webstore.ansi.org>

Send comments (copy psa@ansi.org) to: Barbara Bennett <comments@standards.incits.org>

ULSE (UL Standards & Engagement)

12 Laboratory Drive, Research Triangle Park, NC 27709-3995 | Grayson.Flake@ul.org, <https://ulse.org/>

Revision

BSR/UL 217-202x, Standard for Smoke Alarms (revision of ANSI/UL 217-2022)

1.1 These requirements cover electrically operated single- and multiple-station smoke alarms intended for open-area protection in indoor locations and portable smoke alarms used as "travel" alarms in accordance with: b) In the United States: (1) National Fire Alarm and Signaling Code, NFPA 72; (2) Standard for Recreational Vehicles, NFPA 501C, for smoke alarms intended for use in recreational vehicles; 3) For smoke alarms intended for use in recreational boats: (a) Fire Protection Standard for Pleasure and Commercial Motor Craft, NFPA 302, (b) AC and DC Electrical Systems on Boats, ABYC E-11, and (c) The applicable regulations of the United States Coast Guard.

Single copy price: Free

Order from: csds.ul.com

Send comments (copy psa@ansi.org) to: csds.ul.com

Comment Deadline: March 19, 2024

ULSE (UL Standards & Engagement)

12 Laboratory Drive, Research Triangle Park, NC 27709-3995 | Nicolette.A.Weeks@ul.org, <https://ulse.org/>

Revision

BSR/UL 300-202x, Standard for Fire Testing of Fire Extinguishing Systems for Protection of Commercial Cooking Equipment (revision of ANSI/UL 300-2022)

This proposal covers fryer heating rate less than 12°F (6.7 °C) temperature rise per minute.

Single copy price: Free

Order from: <https://csds.ul.com/ProposalAvailable>

Send comments (copy psa@ansi.org) to: Follow the instructions in the following website to enter comments into the CSDS Work Area: <https://csds.ul.com/ProposalAvailable>.

ULSE (UL Standards & Engagement)

12 Laboratory Drive, Research Triangle Park, NC 27709-3995 | Grayson.Flake@ul.org, <https://ulse.org/>

Revision

BSR/UL 521-202x, Standard for Heat Detectors for Fire Protective Signaling Systems (revision of ANSI/UL 521-2023)

1.1 These requirements cover heat-actuated fire detectors intended for nonhazardous indoor, and outdoor locations, for use as components in automatic fire protective systems, to be installed in accordance installation in accordance with: (b) In the United States: 1) the National Fire Alarm and Signaling Code, NFPA 72 2) the National Electrical Code, NFPA 70

Single copy price: Free

Order from: csds.ul.com

Send comments (copy psa@ansi.org) to: csds.ul.com

Project Withdrawn

In accordance with clause 4.2.1.3.3 Discontinuance of a standards project of the ANSI Essential Requirements, an accredited standards developer may abandon the processing of a proposed new or revised American National Standard or portion thereof if it has followed its accredited procedures. The following projects have been withdrawn accordingly:

AHRI (Air-Conditioning, Heating, and Refrigeration Institute)

2311 Wilson Boulevard, Suite 400, Arlington, VA 22201-3001 | kbest@ahrinet.org, www.ahrinet.org

BSR/AHRI Standard 886-202x (SI), Procedure for Estimating Occupied Space Sound Levels in the Application of Air Terminals and Air Outlets (new standard)

Send comments (copy psa@ansi.org) to: Karl Best <kbest@ahrinet.org>

Final Actions on American National Standards

The standards actions listed below have been approved by the ANSI Board of Standards Review (BSR) or by an ANSI-Audited Designator, as applicable.

AA (ASC H35) (Aluminum Association)

1400 Crystal Drive, Suite 430,, Arlington, VA 22202 | smuhamed@aluminum.org, www.aluminum.org

ANSI H35.3-2017 (R2024), Designation System for Aluminum Hardeners (reaffirmation of ANSI H35.3-2017) Final Action Date: 1/11/2024 | *Reaffirmation*

ANSI H35.4-2017 (R2024), Designation System for Unalloyed Aluminum (reaffirmation of ANSI H35.4-2017) Final Action Date: 1/11/2024 | *Reaffirmation*

ANSI H35.5-2013 (R2024), Nomenclature System for Aluminum Metal Matrix Composite Materials (reaffirmation of ANSI H35.5-2013 (R2017)) Final Action Date: 1/11/2024 | *Reaffirmation*

ANSI H35.2-2024, Dimensional Tolerances for Aluminum Mill Products (revision of ANSI H35.2-2017) Final Action Date: 1/11/2024 | *Revision*

ANSI H35.2-2024 (M), Dimensional Tolerances for Aluminum Mill Products - Metric (revision of ANSI H35.2-2017) Final Action Date: 1/11/2024 | *Revision*

ANSI H35.1/H35.1 (M)-2024, Alloy and Temper Designation Systems for Aluminum (revision of ANSI H35.1/H35.1 (M) -2017) Final Action Date: 1/11/2024 | *Revision*

AGA (ASC B109) (American Gas Association)

400 N. Capitol St., NW, Suite 450, Washington, DC 20001 | lescobar@aga.org, www.aga.org

ANSI B109.6-2023, Single Path Ultrasonic Gas Meters (Under 1400 Cubic Feet Per Hour Capacity) (new standard) Final Action Date: 1/9/2024 | *New Standard*

APA (APA - The Engineered Wood Association)

7011 South 19th Street, Tacoma, WA 98466 | borjen.yeh@apawood.org, www.apawood.org

ANSI/APA PRP 210-2024, Standard for Performance-Rated Engineered Wood Siding (revision of ANSI/APA PRP 210 -2019) Final Action Date: 1/11/2024 | *Revision*

ASA (ASC S12) (Acoustical Society of America)

1305 Walt Whitman Road, Suite 300, Melville, NY 11747 | standards@acousticalsociety.org, www.acousticalsociety.org

ANSI/ASA S12.60-2019/Part 4 (R2024), Acoustical Performance Criteria, Design Requirements, and Guidelines for Schools, Part 4: Acoustic Standards for Physical Education Teaching Environments (reaffirmation of ANSI/ASA S12.60 -2019/Part 4) Final Action Date: 1/8/2024 | *Reaffirmation*

ASC X9 (Accredited Standards Committee X9, Incorporated)

275 West Street, Suite 107, Annapolis, MD 21401 | Ambria.Calloway@X9.org, www.x9.org

ANSI X9.100-140-2018 (R2024), Image Replacement Document (IRD) (reaffirmation of ANSI X9.100-140-2018) Final Action Date: 1/11/2024 | *Reaffirmation*

ASHRAE (American Society of Heating, Refrigerating and Air-Conditioning Engineers, Inc.)

180 Technology Parkway, Peachtree Corners, GA 30092 | tmlisle@ashrae.org, www.ashrae.org

ANSI/ASHRAE Standard 35-2014 (R2024), Method of Testing Refrigerant Driers and Desiccant Materials (reaffirmation of ANSI/ASHRAE Standard 35-2014) Final Action Date: 1/10/2024 | *Reaffirmation*

ASHRAE (American Society of Heating, Refrigerating and Air-Conditioning Engineers, Inc.)

180 Technology Parkway, Peachtree Corners, GA 30092 | tmlisle@ashrae.org, www.ashrae.org

ANSI/ASHRAE Standard 40-2014 (R2024), Methods of Testing for Rating Heat Operated Unitary Air-Conditioning and Heat-Pump Equipment (reaffirmation of ANSI/ASHRAE Standard 40-2014) Final Action Date: 1/10/2024 | *Reaffirmation*

ANSI/ASHRAE Standard 193-2014 (R2024), Method of Test for Determining the Airtightness of HVAC Equipment (reaffirmation of ANSI/ASHRAE Standard 193-2010 (R2014)) Final Action Date: 1/10/2024 | *Reaffirmation*

ANSI/ASHRAE Standard 152-2014, Method of Test for Determining the Design and Seasonal Efficiencies of Residential Thermal Distribution Systems (withdrawal of ANSI/ASHRAE Standard 152-2014) Final Action Date: 1/10/2024 | *Withdrawal*

ASIS (ASIS International)

1625 Prince Street, Alexandria, VA 22314-2818 | standards@asisonline.org, www.asisonline.org

ANSI/ASIS CAN-2024, Cannabis Security (new standard) Final Action Date: 1/12/2024 | *New Standard*

AWWA (American Water Works Association)

6666 W. Quincy Avenue, Denver, CO 80235 | polson@awwa.org, www.awwa.org

ANSI/AWWA C210-2024, Liquid-Epoxy Coatings and Linings for Steel Water Pipe and Fittings (revision, redesignation and consolidation of ANSI/AWWA C210-15, ANSI/AWWA C210a-2020) Final Action Date: 1/11/2024 | *Revision*

ANSI/AWWA C221-2024, Fabricated Steel Mechanical Slip-Type Expansion Joints (revision of ANSI/AWWA C221-2018) Final Action Date: 1/11/2024 | *Revision*

ICC (International Code Council)

4051 Flossmoor Road, Country Club Hills, IL 60478 | kaittaniemi@iccsafe.org, www.iccsafe.org

ANSI/ICC/NSSA 500-2023, ICC/NSSA Standard for the Design and Construction of Storm Shelters (revision of ANSI/ICC 500-2020) Final Action Date: 1/12/2024 | *Revision*

IES (Illuminating Engineering Society)

120 Wall Street, Floor 17, New York, NY 10005-4001 | pmcgillicuddy@ies.org, www.ies.org

ANSI/IES LS-2-2020 (R2024), Lighting Science: Concepts and Language of Lighting (reaffirmation of ANSI/IES LS-2-2020) Final Action Date: 1/11/2024 | *Reaffirmation*

NFPA (National Fire Protection Association)

One Batterymarch Park, Quincy, MA 02169 | dbellis@nfpa.org, www.nfpa.org

ANSI/NFPA 921-2024, Guide for Fire and Explosion Investigations (revision of ANSI/NFPA 921-2021) Final Action Date: 1/10/2024 | *Revision*

ANSI/NFPA 1010-2024, Standard for Firefighter, Fire Apparatus Driver/Operator, Airport Firefighter, and Marine Firefighting for Land-Based Firefighters Professional Qualifications (revision, redesignation and consolidation of NFPA 1001, NFPA 1002, NFPA 1003 and NFPA 1005) Final Action Date: 1/10/2024 | *Revision*

ANSI/NFPA 1081-2024, Standard for Facility Fire Brigade Member Professional Qualifications (revision of ANSI/NFPA 1081-2018) Final Action Date: 1/10/2024 | *Revision*

ANSI/NFPA 1550-2024, Standard for Emergency Responder Health and Safety (revision, redesignation and consolidation of NFPA 1500, NFPA 1521 and NFPA 1561) Final Action Date: 1/10/2024 | *Revision*

ANSI/NFPA 2400-2024, Standard for Small Unmanned Aircraft Systems (sUAS) Used for Public Safety Operations (revision of ANSI/NFPA 2400-2019) Final Action Date: 1/10/2024 | *Revision*

NFPA (National Fire Protection Association)

One Batterymarch Park, Quincy, MA 02169 | dbellis@nfpa.org, www.nfpa.org

ANSI/NFPA 3000-2024, Standard for an Active Shooter/Hostile Event Response (ASHER) Program (revision of ANSI/NFPA 3000-2021) Final Action Date: 1/10/2024 | *Revision*

NSF (NSF International)

789 N. Dixboro Road, Ann Arbor, MI 48105-9723 | jsnider@nsf.org, www.nsf.org

ANSI/NSF 360-2024 (i5r1), Wastewater Treatment Systems - Field Performance Verification (revision of ANSI/NSF 360-2019) Final Action Date: 1/12/2024 | *Revision*

ANSI/NSF 418-2024 (i4r1), Effluent Filters - Field Longevity Testing (revision of ANSI/NSF 418-2014 (r2019)) Final Action Date: 1/4/2024 | *Revision*

ULSE (UL Standards & Engagement)

47173 Benicia Street, Fremont, CA 94538 | Derrick.L.Martin@ul.org, <https://ulse.org/>

ANSI/UL 1692-2019 (R2024), Standard for Safety for Polymeric Materials - Coil Forms (reaffirmation of ANSI/UL 1692-2019) Final Action Date: 1/8/2024 | *Reaffirmation*

ANSI/UL 2572-2018 (R2024), Standard for Mass Notification Systems (reaffirmation of ANSI/UL 2572-2018) Final Action Date: 1/10/2024 | *Reaffirmation*

ANSI/UL 970-2024, Standard for Retail Fixtures and Merchandise Displays (revision of ANSI/UL 970-2023) Final Action Date: 1/12/2024 | *Revision*

ANSI/UL 4248-6-2024, Standard for Fuseholders - Part 6: Class H (revision of ANSI/UL 4248-6-2007 (R2018)) Final Action Date: 1/10/2024 | *Revision*

ANSI/UL 4248-8-2024, Standard for Fuseholders - Part 8: Class J (revision of ANSI/UL 4248-8-2018) Final Action Date: 1/10/2024 | *Revision*

Call for Members (ANS Consensus Bodies)

Directly and materially interested parties who wish to participate as a member of an ANS consensus body for the standards listed are requested to contact the sponsoring developer directly in a timely manner.

ANSI Accredited Standards Developer

INCITS Executive Board – ANSI Accredited SDO and US TAG to ISO/IEC JTC 1, Information Technology

The InterNational Committee for Information Technology Standards (INCITS), an ANSI accredited SDO, is the forum of choice for information technology developers, producers and users for the creation and maintenance of formal de jure IT standards. INCITS' mission is to promote the effective use of Information and Communication Technology through standardization in a way that balances the interests of all stakeholders and increases the global competitiveness of the member organizations.

The INCITS Executive Board serves as the consensus body with oversight of its 40+ Technical Committees. Additionally, the INCITS Executive Board has the international leadership role as the US Technical Advisory Group (TAG) to ISO/IEC JTC 1, Information Technology.

Membership in the INCITS Executive Board is open to all directly and materially interested parties in accordance with INCITS membership rules. To find out more about participating on the INCITS Executive Board, contact Jennifer Garner at jgarner@itic.org or visit <http://www.incits.org/participation/membership-info> for more information.

Membership in all interest categories is always welcome; however, the INCITS Executive Board seeks to broaden its membership base in the following underrepresented categories:

- Producer-Software
- Producer-Hardware
- Distributor
- Service Provider
- Users
- Consultants
- Government
- SDO and Consortia Groups
- Academia
- General Interest

ANSI Accredited Standards Developer

SCTE (Society of Cable Telecommunications Engineers)

SCTE, an ANSI-accredited SDO, is the primary organization for the creation and maintenance of standards for the cable telecommunications industry. SCTE's standards mission is to develop standards that meet the needs of cable system operators, content providers, network and customer premises equipment manufacturers, and all others who have an interest in the industry through a fair, balanced and transparent process.

SCTE is currently seeking to broaden the membership base of its ANS consensus bodies and is interested in new members in all membership categories to participate in new work in fiber-optic networks, advanced advertising, 3D television, and other important topics. Of particular interest is membership from the content (program and advertising) provider and user communities.

Membership in the SCTE Standards Program is open to all directly and materially affected parties as defined in SCTE's membership rules and operating procedures.

More information is available at www.scte.org or by e-mail from standards@scte.org.

ANSI Accredited Standards Developer

AAMI - Association for the Advancement of Medical Instrumentation

Revision of ISO 23500:2019

AAMI RD, Renal Disease and Detoxification Committee is seeking user, and general interest/regulator members to participate in the revision of the ISO 23500:2019, *Preparation and quality management of fluids for haemodialysis and related therapies series standards: Part 1: General requirements; Part 2: Water treatment equipment for haemodialysis applications and related therapies; Part 3, Water for haemodialysis and related therapies; Part 4: Concentrates for haemodialysis and related therapies; Part 5, Quality of dialysis fluids for haemodialysis and related therapies*; Contact: [Jill Zajac JZajac@aami.org](mailto:Jill.Zajac@aami.org)

ANSI Accredited Standards Developer

AWS - American Welding Society

D14 Committee on Machinery and Equipment

The American Welding Society (AWS) D14 Committee on Machinery and Equipment is actively seeking participation from the interest categories of user, general interest, and educator. To apply or obtain additional information please contact Kevin Bulger at kbulger@aws.org by July 1, 2024. For more information, see www.aws.org.

ANSI Accredited Standards Developer

AWS - American Welding Society

C3 Committee on Brazing and Soldering

The American Welding Society (AWS) C3 Committee on Brazing and Soldering is actively seeking participation from the interest categories of user, general interest, and educator. To apply or obtain additional information please contact Kevin Bulger at kbulger@aws.org by July 1, 2024. For more information, see www.aws.org.

ANSI Accredited Standards Developer

DirectTrust - DirectTrust.org, Inc.

DS2021_04 - Information Exchange for Human Service (IX4HS)

DirectTrust is seeking members for the DS2021_04 - Information Exchange for Human Service (IX4HS) consensus body for proposed American National Standards (ANSs).

The Information Exchange for Human Services (IX4HS) project will evaluate and identify existing and developing standards (such as the Direct Standard™), or create new standards or profiles as needed, for the secure communication of sensitive information between healthcare settings and Human Services organizations as well as between Human Services organizations for the purposes of endpoint discovery, referral, information exchange, information requests, and care coordination.

This consensus body is currently seeking voting members in the following categories: Consumer Sector; Government Sector; Healthcare Sector; Information Technology Sector; Socialcare Sector; Payer Sector.

If you are interested in joining the DS2021_04- Information Exchange for Human Service (IX4HS) Consensus Body, contact Standards@DirectTrust.org.

AAMI (Association for the Advancement of Medical Instrumentation)

901 N. Glebe Road, Suite 300, Arlington, VA 22203 | jzajac@aami.org, www.aami.org

BSR/AAMI ISO 23500-4-202x, Preparation and quality management of fluids for haemodialysis and related therapies - Part 4: Concentrates for haemodialysis and related therapies (identical national adoption of ISO 23500-4:202x and revision of ANSI/AAMI/ISO 23500-4-2019)

AAMI (Association for the Advancement of Medical Instrumentation)

901 N. Glebe Road, Suite 300, Arlington, VA 22203 | jzajac@aami.org, www.aami.org

BSR/AAMI ISO 23500-5-202x, Preparation and quality management of fluids for haemodialysis and related therapies - Part 5: Quality of dialysis fluid for haemodialysis and related therapies (identical national adoption of ISO 23500-5:202x and revision of ANSI/AAMI/ISO 23500-5-2019)

AGA (ASC Z223) (American Gas Association)

400 North Capitol Street, NW, Suite 450, Washington, DC 20001 | lescoabar@aga.org, www.aga.org

BSR Z223.1/NFPA 54-2027-202x, National Fuel Gas Code (revision of ANSI Z223.1/NFPA 54-2023)

AISC (American Institute of Steel Construction)

130 E. Randolph Street, Suite 2000, Chicago, IL 60601-6204 | gonner@aisc.org, www.aisc.org

BSR/AISC N690-202x, Specification for Safety-Related Steel Structures for Nuclear Facilities (revision of ANSI/AISC N690-2018)

AWS (American Welding Society)

8669 NW 36th Street, Suite 130, Miami, FL 33166-6672 | jrosario@aws.org, www.aws.org

BSR/AWS D15.1/D15.1M-202x, Railroad Welding Specification for Cars and Locomotives (revision of ANSI/AWS D15.1/D15.1M-2021-AMD1)

BHMA (Builders Hardware Manufacturers Association)

355 Lexington Avenue, 15th Floor, New York, NY 10017-6603 | Kbishop@Kellencompany.com, www.buildershardware.com

BSR/BHMA 156.11-202x, Standard for Cabinet Locks (revision of ANSI/BHMA A156.11-2019)

BHMA (Builders Hardware Manufacturers Association)

17 Faulkner Drive, Niantic, CT 06357 | mtierney@kellencompany.com, www.buildershardware.com

BSR/BHMA A156.4-202x, Door Controls and Pivots (revision of ANSI/BHMA A156.4-2019)

BHMA (Builders Hardware Manufacturers Association)

17 Faulkner Drive, Niantic, CT 06357 | mtierney@kellencompany.com, www.buildershardware.com

BSR/BHMA A156.5-202x, Standard for Cylinders and Input Devices (revision of ANSI/BHMA A156.5-2020)

BHMA (Builders Hardware Manufacturers Association)

355 Lexington Avenue, 15th Floor, New York, NY 10017-6603 | Kbishop@Kellencompany.com, www.buildershardware.com

BSR/BHMA A156.14-202x, Standard for Sliding and Folding Door Hardware (revision of ANSI/BHMA A156.14-2019)

BHMA (Builders Hardware Manufacturers Association)

355 Lexington Avenue, 15th Floor, New York, NY 10017-6603 | Kbishop@Kellencompany.com, www.buildershardware.com

BSR/BHMA A156.18-202x, Standard for Material and Finishes (revision of ANSI/BHMA A156.18-2020)

BHMA (Builders Hardware Manufacturers Association)

17 Faulkner Drive, Niantic, CT 06357 | mtierney@kellencompany.com, www.buildershardware.com

BSR/BHMA A156.31-202x, Standard for Electric Strikes and Frame Mounted Actuators (revision of ANSI/BHMA A156.31-2019)

BHMA (Builders Hardware Manufacturers Association)

355 Lexington Avenue, 15th Floor, New York, NY 10017-6603 | Kbishop@Kellencompany.com, www.buildershardware.com

BSR/BHMA A156.33-202x, Standard for Internally Powered Architectural Hardware Devices (revision of ANSI/BHMA A156.33-2019)

BHMA (Builders Hardware Manufacturers Association)

17 Faulkner Drive, Niantic, CT 06357 | mtierney@kellencompany.com, www.buildershardware.com

BSR/BHMA A156.39-202x, Residential Locks and Latches (revision of ANSI/BHMA A156.39-2020)

BHMA (Builders Hardware Manufacturers Association)

17 Faulkner Drive, Niantic, CT 06357 | mtierney@kellencompany.com, www.buildershardware.com

BSR/BHMA A156.40-202x, Standard for Residential Deadbolts (revision of ANSI/BHMA A156.40-2020)

ITI (INCITS) (InterNational Committee for Information Technology Standards)

700 K Street NW, Suite 600, Washington, DC 20001 | comments@standards.incits.org, www.incits.org

INCITS/ISO/IEC 1539-1:2023 [202x], Programming Languages - Fortran - Part 1: Base Language (identical national adoption of ISO/IEC 1539-1:2023 and revision of INCITS/ISO/IEC 1539-1:2018 [2019])

ITI (INCITS) (InterNational Committee for Information Technology Standards)

700 K Street NW, Suite 600, Washington, DC 20001 | comments@standards.incits.org, www.incits.org

INCITS/ISO/IEC 4922-1:2023 [202x], Information security - Secure multiparty computation - Part 1: General (identical national adoption of ISO/IEC 4922-1:2023)

ITI (INCITS) (InterNational Committee for Information Technology Standards)

700 K Street NW, Suite 600, Washington, DC 20001 | comments@standards.incits.org, www.incits.org

INCITS/ISO/IEC 9797-1:2011/AM1:2023 [202x], Information technology - Security techniques - Message Authentication Codes (MACs) - Part 1: Mechanisms using a block cipher - Amendment 1 (identical national adoption of ISO/IEC 9797-1:2011/AM1:2023)

ITI (INCITS) (InterNational Committee for Information Technology Standards)

700 K Street NW, Suite 600, Washington, DC 20001 | comments@standards.incits.org, www.incits.org

INCITS/ISO/IEC 19989-1:2020 [202x], Information security - Criteria and methodology for security evaluation of biometric systems - Part 1: Framework (identical national adoption of ISO/IEC 19989-1:2020)

ITI (INCITS) (InterNational Committee for Information Technology Standards)

700 K Street NW, Suite 600, Washington, DC 20001 | comments@standards.incits.org, www.incits.org

INCITS/ISO/IEC 19989-2:2020 [202x], Information security - Criteria and methodology for security evaluation of biometric systems - Part 2: Biometric recognition performance (identical national adoption of ISO/IEC 19989-2:2020)

ITI (INCITS) (InterNational Committee for Information Technology Standards)

700 K Street NW, Suite 600, Washington, DC 20001 | comments@standards.incits.org, www.incits.org

INCITS/ISO/IEC 19989-3:2020 [202x], Information security - Criteria and methodology for security evaluation of biometric systems - Part 3: Presentation attack detection (identical national adoption of ISO/IEC 19989-3:2020)

ITI (INCITS) (InterNational Committee for Information Technology Standards)

700 K Street NW, Suite 600, Washington, DC 20001 | comments@standards.incits.org, www.incits.org

INCITS/ISO/IEC 20897-1:2020 [202x], Information security, cybersecurity and privacy protection - Physically unclonable functions - Part 1: Security requirements (identical national adoption of ISO/IEC 20897-1:2020)

ITI (INCITS) (InterNational Committee for Information Technology Standards)

700 K Street NW, Suite 600, Washington, DC 20001 | comments@standards.incits.org, www.incits.org

INCITS/ISO/IEC 23837-1:2023 [202x], Information security - Security requirements, test and evaluation methods for quantum key distribution - Part 1: Requirements (identical national adoption of ISO/IEC 23837-1:2023)

ITI (INCITS) (InterNational Committee for Information Technology Standards)

700 K Street NW, Suite 600, Washington, DC 20001 | comments@standards.incits.org, www.incits.org

INCITS/ISO/IEC 27050-1:2019 [202x], Information technology - Electronic discovery - Part 1: Overview and concepts (identical national adoption of ISO/IEC 27050-1:2019 and revision of INCITS/ISO/IEC 27050-1:2016 [2019])

ITI (INCITS) (InterNational Committee for Information Technology Standards)

700 K Street NW, Suite 600, Washington, DC 20001 | comments@standards.incits.org, www.incits.org

INCITS/ISO/IEC 24392:2023 [202x], Cybersecurity - Security reference model for industrial internet platform (SRM-IIP) (identical national adoption of ISO/IEC 24392:2023)

ITI (INCITS) (InterNational Committee for Information Technology Standards)

700 K Street NW, Suite 600, Washington, DC 20001 | comments@standards.incits.org, www.incits.org

INCITS/ISO/IEC 27071:2023 [202x], Cybersecurity - Security recommendations for establishing trusted connections between devices and services (identical national adoption of ISO/IEC 27071:2023)

NETA (InterNational Electrical Testing Association)

3050 Old Centre Rd, Suite 101, Portage, MI 49024 | ldanzy@netaworld.org, www.netaworld.org

BSR/NETA ATS-2025, NETA Standard for Acceptance Testing Specifications for Electrical Power Equipment & Systems (revision of ANSI/NETA ATS-2021)

NSF (NSF International)

789 N. Dixboro Road, Ann Arbor, MI 48105-9723 | jsnider@nsf.org, www.nsf.org

BSR/NSF 350-202x (i63r8), Onsite Residential and Commercial Water Reuse Treatment Systems (revision of ANSI/NSF 350-2022)

NSF (NSF International)

789 N. Dixboro Road, Ann Arbor, MI 48105 | mmilla@nsf.org, www.nsf.org

BSR/NSF 401-202x (i33r2), Drinking Water Treatment Units - Emerging Compounds /Incidental Contaminants (revision of ANSI/NSF 401-2022)

NSF (NSF International)

789 N. Dixboro Road, Ann Arbor, MI 48105-9723 | jsnider@nsf.org, www.nsf.org

BSR/NSF/CAN 50-202x (i172r4), Equipment and Chemicals for Swimming Pools, Spas, Hot Tubs, and Other Recreational Water Facilities (revision of ANSI/NSF 50-2023)

TAPPI (Technical Association of the Pulp and Paper Industry)

15 Technology Parkway, Suite 115, Peachtree Corners, GA 30092 | standards@tappi.org, www.tappi.org

BSR/TAPPI T 441 om-2020 (R202x), Water absorptiveness of sized (non-bibulous) paper, paperboard, and corrugated fiberboard (Cobb test) (reaffirmation of ANSI/TAPPI T 441 om-2020)

TAPPI (Technical Association of the Pulp and Paper Industry)

15 Technology Parkway, Suite 115, Peachtree Corners, GA 30092 | standards@tappi.org, www.tappi.org

BSR/TAPPI T 455 sp-2014 (R202x), Identification of wire side of paper (reaffirmation of ANSI/TAPPI T 455 sp-2014 (R2020))

TAPPI (Technical Association of the Pulp and Paper Industry)

15 Technology Parkway, Suite 115, Peachtree Corners, GA 30092 | standards@tappi.org, www.tappi.org

BSR/TAPPI T 515 om-2020 (R202x), Visual grading and color matching of paper (reaffirmation of ANSI/TAPPI T 515 om-2020)

TAPPI (Technical Association of the Pulp and Paper Industry)

15 Technology Parkway, Suite 115, Peachtree Corners, GA 30092 | standards@tappi.org, www.tappi.org

BSR/TAPPI T 804 om-2020 (R202x), Compression test of fiberboard shipping containers (reaffirmation of ANSI/TAPPI T 804 om-2020)

TAPPI (Technical Association of the Pulp and Paper Industry)

15 Technology Parkway, Suite 115, Peachtree Corners, GA 30092 | standards@tappi.org, www.tappi.org

BSR/TAPPI T 843 om-2020 (R202x), Fluted edge crush of corrugating medium (rigid support method) (reaffirmation of ANSI/TAPPI T 843 om-2020)

TAPPI (Technical Association of the Pulp and Paper Industry)

15 Technology Parkway, Suite 115, Peachtree Corners, GA 30092 | standards@tappi.org, www.tappi.org

BSR/TAPPI T 845 om-2014 (R202x), Wet pin adhesion of corrugated board by selective separation (reaffirmation of ANSI/TAPPI T 845 om-2014 (R2020))

TAPPI (Technical Association of the Pulp and Paper Industry)

15 Technology Parkway, Suite 115, Peachtree Corners, GA 30092 | standards@tappi.org, www.tappi.org

BSR/TAPPI T 1205 sp-2014 (R202x), Dealing with suspect (outlying) test determinations (reaffirmation of ANSI/TAPPI T 1205 sp-2014 (R2020))

ULSE (UL Standards & Engagement)

12 Laboratory Drive, Research Triangle Park, NC 27709-3995 | marina.currie@ul.org, <https://ulse.org/>

BSR/UL 399-202x, Standard for Safety for Drinking Water Coolers (revision of ANSI/UL 399-2023)

Call for Members (ANS Consensus Bodies)

National Council for Prescription Drug Programs (NCPDP)

Enrollment in the 2024 Consensus Group opens Monday, January 15, 2024 and closes at 8:00 p.m. EST on Friday, February 16, 2024. Information concerning the Consensus Group registration process is available by contacting:

Margaret Weiker
National Council for Prescription Drug Programs
9240 East Raintree Drive
Scottsdale, AZ 85260
Phone: (480) 477-1000
E-mail: mweiker@ncpdp.org

Standards:

Audit Transaction Standard – supports an electronic audit transaction that facilitates requests, responses, and final outcomes transmissions for both “Desk Top” claim audits and for in-store audit notices.

Batch Standard Subrogation - provides a uniform approach to efficiently process post-payment subrogation claims and eliminate the numerous custom formats used in the industry today.

Benefit Integration Standard - supports the communication of accumulator data (such as deductible and out of pocket) between Benefit Partners to administer integrated benefits for a member.

Billing Unit Standard - provides a consistent and well-defined billing unit for use in pharmacy transactions. This results in time savings and accuracy in billing and reimbursement.

Financial Information Reporting Standard – provides a process whereby financial information is moved from one PBM to another when a patient changes benefit plans.

Formulary and Benefit Standard – provides a standard means for pharmacy benefit payers (including health plans and Pharmacy Benefit Managers) to communicate formulary and benefit information to prescribers via technology vendor systems.

Manufacturer Rebate Standard – provides a standardized format for the electronic submission of rebate information from Pharmacy Management Organizations (PMOs) to Pharmaceutical Industry Contracting Organizations (PICOs).

Medicaid Pharmacy Encounters Reporting – provides standardization of data content and file layout for reporting of Medicaid Managed Care Organization pharmacy claims to a state agency.

Post Adjudication Standard – provides a format for supplying detailed drug or utilization claim information after the claim has been adjudicated.

Prescription Drug Monitoring Programs (PDMP) Reporting Standard – developed to report controlled substance and other required drug information to assist healthcare providers to deter prescription drug abuse to ensure access for patients with valid medical needs.

Prescription Transfer Standard – developed to create file formats for the purpose of electronically transferring prescriptions between pharmacies.

Prior Authorization Transfer Standard – developed to define the file format and correct usage for electronically transferring existing prior authorization data between payer/processors when transitioning clients, performing system database or platform changes, or other scenarios where an existing prior authorization record is stored in one location and needs to be moved to another.

Product Identifiers Standard – developed to provide a standard for consistent formatting and utilization of product identifiers in healthcare and to provide clarification for maintenance of these specific product identifiers.

Real-Time Prescription Benefit Standard – developed a real-time pharmacy benefit inquiry from a provider EMR application to: leverage pharmacy industry standards and technology infrastructure, to deliver an accurate, pharmacy specific, “Patient Pay Amount” for a proposed medication and quantity and to collaboratively align stakeholders.

Retiree Drug Subsidy Standard – developed to assist in the automation of summarized drug cost and related data transfer from one processor/pharmacy benefit manager to another processor/ pharmacy benefit manager for continuation of the CMS Retiree Drug Subsidy (RDS) cost data reporting by the receiving entity.

SCRIPT Standard – developed for transmitting prescription information electronically between prescribers, providers, and other entities.

Specialized Standard – developed for transmitting information electronically between prescribers, providers, and other entities. The standard addresses the electronic transmission of census information about a patient between a facility and a pharmacy, medication therapy management transactions between providers, payers, pharmacies, and other entities. It will include other transactions for electronic exchanges between these entities in the future.

Specialty Pharmacy Data Reporting Standard - provides a standardized format for the data submitted by specialty pharmacy to drug manufacturers/others to support programs and agreements between the parties.

State Medicaid Provider File Standard - developed a standard by which state Medicaid agencies or other entities could communicate their provider data with the MCOs/PBMs in a consistent and streamlined manner.

Telecommunication Standard – developed a standardized format for electronic communication of claims and other transactions between pharmacy providers, insurance carriers, third-party administrators, and other responsible parties.

Uniform Healthcare Payer Data Standard – developed a standard format for pharmacy claim data to support the reporting requirements of claim data to states or their designees.

American National Standards (ANS) Process

Please visit ANSI's website (www.ansi.org) for resources that will help you to understand, administer and participate in the American National Standards (ANS) process. Documents posted at these links are updated periodically as new documents and guidance are developed, whenever ANS-related procedures are revised, and routinely with respect to lists of proposed and approved ANS. The main ANS-related link is www.ansi.org/asd and here are some direct links as well as highlights of information that is available:

Where to find Procedures, Guidance, Interpretations and More...

Please visit ANSI's website (www.ansi.org)

- ANSI Essential Requirements: Due process requirements for American National Standards (always current edition):
www.ansi.org/essentialrequirements
- ANSI Standards Action (weekly public review announcements of proposed ANS and standards developer accreditation applications, listing of recently approved ANS, and proposed revisions to ANS-related procedures):
www.ansi.org/standardsaction
- Accreditation information – for potential developers of American National Standards (ANS):
www.ansi.org/sdoaccreditation
- ANS Procedures, ExSC Interpretations and Guidance (including a slide deck on how to participate in the ANS process and the BSR-9 form):
www.ansi.org/asd
- Lists of ANSI-Accredited Standards Developers (ASDs), Proposed ANS and Approved ANS:
www.ansi.org/asd
- American National Standards Key Steps:
www.ansi.org/anskeysteps
- American National Standards Value:
www.ansi.org/ansvalue
- ANS Web Forms for ANSI-Accredited Standards Developers:
<https://www.ansi.org/portal/psawebforms/>
- Information about standards Incorporated by Reference (IBR):
<https://ibr.ansi.org/>
- ANSI - Education and Training:
www.standardstolearn.org

American National Standards Under Continuous Maintenance

The ANSI Essential Requirements: Due Process Requirements for American National Standards provides two options for the maintenance of American National Standards (ANS): periodic maintenance (see clause 4.7.1) and continuous maintenance (see clause 4.7.2). Continuous maintenance is defined as follows:

The standard shall be maintained by an accredited standards developer. A documented program for periodic publication of revisions shall be established by the standards developer. Processing of these revisions shall be in accordance with these procedures. The published standard shall include a clear statement of the intent to consider requests for change and information on the submittal of such requests. Procedures shall be established for timely, documented consensus action on each request for change and no portion of the standard shall be excluded from the revision process. In the event that no revisions are issued for a period of four years, action to reaffirm or withdraw the standard shall be taken in accordance with the procedures contained in the ANSI Essential Requirements. The Executive Standards Council (ExSC) has determined that for standards maintained under the Continuous Maintenance option, separate PINS announcements are not required. The following ANSI Accredited Standards Developers have formally registered standards under the Continuous Maintenance option.

AAMI (Association for the Advancement of Medical Instrumentation)
AARST (American Association of Radon Scientists and Technologists)
AGA (American Gas Association)
AGSC (Auto Glass Safety Council)
ASC X9 (Accredited Standards Committee X9, Incorporated)
ASHRAE (American Society of Heating, Refrigerating and Air-Conditioning Engineers, Inc.)
ASME (American Society of Mechanical Engineers)
ASTM (ASTM International)
GBI (Green Building Initiative)
HL7 (Health Level Seven)
Home Innovation (Home Innovation Research Labs)
IES (Illuminating Engineering Society)
ITI (InterNational Committee for Information Technology Standards)
MHI (Material Handling Industry)
NBBPVI (National Board of Boiler and Pressure Vessel Inspectors)
NCPDP (National Council for Prescription Drug Programs)
NEMA (National Electrical Manufacturers Association)
NFRC (National Fenestration Rating Council)
NISO (National Information Standards Organization)
NSF (NSF International)
PRCA (Professional Ropes Course Association)
RESNET (Residential Energy Services Network, Inc.)
SAE (SAE International)
TCNA (Tile Council of North America)
TIA (Telecommunications Industry Association)
TMA (The Monitoring Association)
ULSE (UL Standards & Engagement)

To obtain additional information with regard to these standards, including contact information at the ANSI Accredited Standards Developer, please visit ANSI Online at www.ansi.org/asd, select "American National Standards Maintained Under Continuous Maintenance." Questions? psa@ansi.org.

ANSI-Accredited Standards Developers (ASD) Contacts

The addresses listed in this section are to be used in conjunction with standards listed in PINS, Call for Comment, Call for Members and Final Actions. This section is a list of developers who have submitted standards for this issue of *Standards Action* – it is not intended to be a list of all ANSI-Accredited Standards Developers. Please send all address corrections to the PSA Department at psa@ansi.org.

AA (ASC H35)

Aluminum Association
1400 Crystal Drive, Suite 430,
Arlington, VA 22202
www.aluminum.org

Sam Muhamed
smuhamed@aluminum.org

AAFS

American Academy of Forensic Sciences
410 North 21st Street
Colorado Springs, CO 80904
www.aafs.org

Teresa Ambrosius
tambrosius@aafs.org

AAMI

Association for the Advancement of
Medical Instrumentation
901 N. Glebe Road, Suite 300
Arlington, VA 22203
www.aami.org

Jill Zajac
jzajac@aami.org

AGA (ASC B109)

American Gas Association
400 N. Capitol St., NW, Suite 450
Washington, DC 20001
www.aga.org

Luis Escobar
lescobar@aga.org

AGA (ASC Z223)

American Gas Association
400 North Capitol Street, NW, Suite 450
Washington, DC 20001
www.aga.org

Luis Escobar
lescobar@aga.org

APA

APA - The Engineered Wood Association
7011 South 19th Street
Tacoma, WA 98466
www.apawood.org

Borjen Yeh
borjen.yeh@apawood.org

ASA (ASC S12)

Acoustical Society of America
1305 Walt Whitman Road, Suite 300
Melville, NY 11747
www.acousticalsociety.org

Raegan Ripley
standards@acousticalsociety.org

ASX X9

Accredited Standards Committee X9,
Incorporated
275 West Street, Suite 107
Annapolis, MD 21401
www.x9.org

Ambria Calloway
Ambria.Calloway@X9.org

ASHRAE

American Society of Heating, Refrigerating
and Air-Conditioning Engineers, Inc.
180 Technology Parkway
Peachtree Corners, GA 30092
www.ashrae.org

Carmen King
cking@ashrae.org

Tanisha Meyers-Lisle
tmlisle@ashrae.org

ASIS

ASIS International
1625 Prince Street
Alexandria, VA 22314
www.asisonline.org

Aivelis Opicka
standards@asisonline.org

ASQ (ASC Z1)

American Society for Quality
600 N Plankinton Avenue
Milwaukee, WI 53201
www.asq.org

Elizabeth Spaulding
espaulding@asq.org

AWC

American Wood Council
222 Catoctin Circle, Suite 201
Leesburg, VA 20175
www.awc.org

Bradford Douglas
bdouglas@awc.org

AWS

American Welding Society
8669 NW 36th Street, Suite 130
Miami, FL 33166
www.aws.org

Jennifer Rosario
jrosario@aws.org

AWWA

American Water Works Association
6666 W. Quincy Avenue
Denver, CO 80235
www.awwa.org

Paul Olson
polson@awwa.org

B11

B11 Standards, Inc.
P.O. Box 690905
Houston, TX 77269
<https://www.b11standards.org/>

Chris Felinski
cfelinski@b11standards.org

BHMA

Builders Hardware Manufacturers
Association
17 Faulkner Drive
Niantic, CT 06357
www.buildershardware.com

Michael Tierney
mtierney@kellencompany.com

BHMA

Builders Hardware Manufacturers
Association
355 Lexington Avenue, 15th Floor
New York, NY 10017
www.buildershardware.com

Karen Bishop
Kbishop@Kellencompany.com

IACET

International Association for Continuing
Education and Training
2201 Cooperative Way, Suite 600
Herndon, VA 20171
www.iacet.org

Sherard Jones
Sherard.jones@iacet.org

ICC

International Code Council
4051 Flossmoor Road
Country Club Hills, IL 60478
www.iccsafe.org

Karl Aittaniemi
kaittaniemi@iccsafe.org

IEEE (ASC C2)

Institute of Electrical and Electronics
Engineers
445 Hoes Lane
Piscataway, NJ 08854
www.ieee.org

Jennifer Santulli
j.santulli@ieee.org

IES

Illuminating Engineering Society
120 Wall Street, Floor 17
New York, NY 10005
www.ies.org

Patricia McGillicuddy
pmcgillicuddy@ies.org

IICRC

The Institute of Inspection, Cleaning and
Restoration Certification
4043 South Eastern Avenue
Las Vegas, NV 89119
https://www.iicrc.org

Mili Washington
mwashington@iicrcnet.org

ITI (INCITS)

InterNational Committee for Information
Technology Standards
700 K Street NW, Suite 600
Washington, DC 20001
www.incits.org

Deborah Spittle
comments@standards.incits.org

NETA

InterNational Electrical Testing Association
3050 Old Centre Rd, Suite 101
Portage, MI 49024
www.netaworld.org

Lamar Danzy
ldanzy@netaworld.org

NFPA

National Fire Protection Association
One Batterymarch Park
Quincy, MA 02169
www.nfpa.org

Dawn Michele Bellis
dbellis@nfpa.org

NSF

NSF International
789 N. Dixboro Road
Ann Arbor, MI 48105
www.nsf.org

Jason Snider
jsnider@nsf.org

Monica Milla
mmilla@nsf.org

SCTE

Society of Cable Telecommunications
Engineers
140 Philips Road
Exton, PA 19341
www.scte.org

Natasha Aden
naden@scte.org

TAPPI

Technical Association of the Pulp and
Paper Industry
15 Technology Parkway, Suite 115
Peachtree Corners, GA 30092
www.tappi.org

Sidney Onyekwere
standards@tappi.org

ULSE

UL Standards & Engagement
12 Laboratory Drive
Research Triangle Park, NC 27709
https://ulse.org/

Grayson Flake
Grayson.Flake@ul.org

Marina Currie
marina.currie@ul.org

Nicolette Weeks
Nicolette.A.Weeks@ul.org

Shannon Henesy
shannon.henesy@ul.org

Tomas Pindur
tomas.pindur@ul.org

Tony Partridge
Tony.Partridge@ul.org

ULSE

UL Standards & Engagement
1603 Orrington Ave, Suite 20000
Evanston, IL 60201
https://ulse.org/

Susan Malohn
Susan.P.Malohn@ul.org

ULSE

UL Standards & Engagement
47173 Benicia Street
Fremont, CA 94538
https://ulse.org/

Derrick Martin
Derrick.L.Martin@ul.org

ISO & IEC Draft International Standards



This section lists proposed standards that the International Organization for Standardization (ISO) and the International Electrotechnical Commission (IEC) are considering for approval. The proposals have received substantial support within the technical committees or subcommittees that developed them and are now being circulated to ISO and IEC members for comment and vote. Standards Action readers interested in reviewing and commenting on these documents should order copies from ANSI.

COMMENTS

Comments regarding ISO documents should be sent to ANSI's ISO Team (isot@ansi.org); comments on ISO documents must be submitted electronically in the approved ISO template and as a Word document as other formats will not be accepted.

Those regarding IEC documents should be sent to Tony Zertuche, General Secretary, USNC/IEC, at ANSI's New York offices (tzertuche@ansi.org). The final date for offering comments is listed after each draft.

ORDERING INSTRUCTIONS

ISO and IEC Drafts can be made available by contacting ANSI's Customer Service department. Please e-mail your request for an ISO or IEC Draft to Customer Service at sales@ansi.org. When making your request, please provide the date of the Standards Action issue in which the draft document you are requesting appears.

ISO Standards

Additive manufacturing (TC 261)

ISO/ASTM DIS 52940, Additive manufacturing of ceramics - Feedstock materials - Characterization of ceramic slurry in vat photopolymerization - 4/4/2024, \$58.00

Anaesthetic and respiratory equipment (TC 121)

ISO/DIS 18777-1, Transportable liquid oxygen systems for medical use - Part 1: Common requirements and particular requirements for base units - 3/29/2024, \$88.00

ISO/DIS 18777-2, Transportable liquid oxygen systems for medical use - Part 2: Portable units - 3/29/2024, \$40.00

Biological evaluation of medical and dental materials and devices (TC 194)

ISO 10993-4:2017/DAMd 1, - Amendment 1: Biological evaluation of medical devices - Part 4: Selection of tests for interactions with blood - Amendment 1 - 3/31/2024, \$46.00

Equipment for fire protection and fire fighting (TC 21)

ISO/DIS 6182-2, Fire protection - Automatic sprinkler systems - Part 2: Requirements and test methods for sprinkler system alarm valves, check valves, water motor alarms, retard devices and accelerators - 4/4/2024, \$98.00

Fire safety (TC 92)

ISO/DIS 834-7, Fire-resistance tests - Elements of building construction - Part 7: Specific requirements for columns - 3/30/2024, \$62.00

Metallic and other inorganic coatings (TC 107)

ISO/DIS 21465, Test method for CMAS corrosion of thermal/environmental barrier coatings under dynamic thermal cycling - 4/1/2024, \$53.00

Plastics (TC 61)

ISO/DIS 19252, Plastics - Determination of scratch properties - 4/4/2024, \$71.00

Plastics pipes, fittings and valves for the transport of fluids (TC 138)

ISO/DIS 21036, Plastics piping systems for industrial applications - Unplasticized Polyamide (PA-U) - Metric series for specifications for components and system - 3/31/2024, \$102.00

Ships and marine technology (TC 8)

ISO/DIS 17579, Ships and marine technology - Design and testing requirements of pneumatic quick-closing valves - 4/1/2024, \$58.00

Textiles (TC 38)

ISO/DIS 13629-1, Textiles - Determination of antifungal activity of textile products - Part 1: Luminescence method - 4/4/2024, \$77.00

Tractors and machinery for agriculture and forestry (TC 23)

ISO/DIS 23117-2, Agricultural and forestry machinery - Unmanned aerial spraying systems - Part 2: Test methods to assess the horizontal transverse spray distribution - 3/30/2024, \$82.00

Transport information and control systems (TC 204)

ISO/DIS 17573-3, Electronic fee collection - System architecture for vehicle-related tolling - Part 3: Data dictionary - 4/1/2024, \$125.00

Tyres, rims and valves (TC 31)

ISO/DIS 18511-2, Tyre abrasion rate measurement methods - Part 2: Indoor test method by using an abrasion tester on external drum - 4/1/2024, \$134.00

Welding and allied processes (TC 44)

ISO/DIS 5175-3, Gas welding equipment - Safety devices - Part 3: Decomposition blockers for low pressure acetylene - 3/30/2024, \$40.00

ISO/IEC JTC 1, Information Technology

ISO/IEC 11770-3:2021/DAMd 1, - Amendment 1: Information security - Key management - Part 3: Mechanisms using asymmetric techniques - Amendment 1: TFNS identity-based key agreement - 3/29/2024, \$29.00

IEC Standards**Cables, wires, waveguides, r.f. connectors, and accessories for communication and signalling (TC 46)**

46A/1659/CDV, IEC 61196-1-105 ED2: Coaxial communication cables - Part 1-105: Electrical test methods - Test for withstand voltage of cable dielectric, 04/05/2024

46A/1665/CD, IEC 61196-1-112 ED2: Coaxial communication cables - Part 1-112: Electrical test methods - Test for return loss and voltage standing wave ratio(VSWR), 03/08/2024

Electric cables (TC 20)

20/2146/CDV, IEC 60331-4 ED1: Tests for electric cables under fire conditions - Circuit integrity - Part 4: Test method for fire with shock at a temperature of at least 830 C for cables of rated voltage higher than 1kV up to and including 30 kV, 04/05/2024

Electric road vehicles and electric industrial trucks (TC 69)

69/939/CD, IEC TS 61851-26 ED1: Electric vehicle conductive charging system - Part 26: EV supply equipment with automated connection of a vehicle coupler located at the underbody of an electric vehicle, 04/05/2024

69/938/CD, IEC TS 61851-27 ED1: Electric vehicle conductive charging system - Part 27: EV supply equipment with automated connection of a vehicle coupler according to IEC 62196-2 or IEC 62196-3, 04/05/2024

Electric traction equipment (TC 9)

9/3046/CD, IEC 63495 ED1: Interoperability and safety of dynamic wireless power transfer (WPT) for railways, 04/05/2024

Electrical accessories (TC 23)

23A/1060(F)/FDIS, IEC 61084-2-1/AMD1 ED2: Cable trunking systems and cable ducting systems for electrical installations - Part 2-1: Particular requirements - Cable trunking systems and cable ducting systems intended for mounting on walls and ceilings, 01/26/2024

Electrical apparatus for explosive atmospheres (TC 31)

31G/385/CD, IEC 60079-25/AMD1 ED3: Amendment 1 - Explosive atmospheres - Part 25: Intrinsically safe electrical systems, 03/08/2024

31/1758/CD, IEC 60079-26 ED5: Explosive atmospheres - Part 26: Equipment with Separation Elements or combined Levels of Protection, 05/03/2024

Electrical Energy Storage (EES) Systems (TC 120)

120/351/DTR, IEC TR 62933-4-200 ED1: Electrical Energy Storage (EES) Systems - Part 4-200: Guidance on environmental issues - Greenhouse gas (GHG) emission assessment by electrical energy storage (EES) systems, 03/08/2024

Electrical equipment in medical practice (TC 62)

62A/1556/NP, PNW TS 62A-1556 ED1: Medical devices - Part 2: Guidance on the application of usability engineering to medical devices, 04/05/2024

Electromagnetic compatibility (TC 77)

77C/338/CD, IEC 61000-4-23/AMD1 ED2: Amendment 1 - Electromagnetic compatibility (EMC) - Part 4-23: Testing and measurement techniques - Test methods for protective devices for HEMP and other radiated disturbances, 04/05/2024

77C/339/FDIS, IEC 61000-5-6 ED1: Electromagnetic compatibility (EMC) - Part 5-6: Installation and mitigation guidelines - Mitigation of external EM influences, 02/23/2024

Equipment for electrical energy measurement and load control (TC 13)

13/1916(F)/FDIS, IEC 62057-3 ED1: Electrical energy meters - Test equipment, techniques and procedures - Part 3: Automatic meter testing system (AMTS), 01/26/2024

Evaluation and Qualification of Electrical Insulating Materials and Systems (TC 112)

112/627(F)/FDIS, IEC 62836 ED1: Measurement of internal electric field in insulating materials - Pressure wave propagation method, 02/02/2024

Fibre optics (TC 86)

86B/4847(F)/FDIS, IEC 61300-2-44 ED4: Fibre optic interconnecting devices and passive components - Basic test and measurement procedures - Part 2-44: Tests - Flexing of the strain relief of fibre optic devices and components, 02/02/2024

86B/4862/CD, IEC 61753-022-02 ED1: Fibre optic interconnecting devices and passive components - Performance standard - Part 022-02: Multimode fibre optic connectors terminated as pigtails and patchcords for category C - Controlled environment, 03/08/2024

Flat Panel Display Devices (TC 110)

110/1592/CDV, IEC 62341-6-7 ED1: Organic light emitting diode (OLED) displays - Part 6-7: Measuring methods of optical characteristics for display with under screen feature, 04/05/2024

Fuel Cell Technologies (TC 105)

105/1024/CD, IEC TS 62282-7-1 ED3: Fuel cell technologies - Part 7-1: Test methods - Single cell performance tests for polymer electrolyte fuel cells (PEFC), 04/05/2024

High Voltage Direct Current (HVDC) transmission for DC voltages above 100 kV (TC 115)

115/361/DTR, IEC TR 63127/AMD1 ED1: Amendment 1 - Guideline for the system design of HVDC converter stations with line-commutated converters, 03/08/2024

115/360/DTS, IEC TS 63336 ED1: Commissioning of VSC HVDC systems, 03/08/2024

Industrial-process measurement and control (TC 65)

65E/1037/CDV, IEC 61987-1 ED2: Industrial-process measurement and control - Data structures and elements in process equipment catalogues - Part 1: Measuring equipment with analogue and digital output, 04/05/2024

65/1040/CD, IEC TR 63283-4 ED1: Industrial-process measurement, control and automation - Smart Manufacturing - Part 4: Recommendations for the usage of new technologies, 03/08/2024

Insulators (TC 36)

36/594/FDIS, IEC 62896 ED1: Hybrid insulators for a.c. and d.c. for high-voltage applications greater than 1000V AC and 1500 V DC - Definitions, test methods and acceptance criteria, 02/23/2024

Maritime navigation and radiocommunication equipment and systems (TC 80)

80/1107/CD, IEC 61174 ED5: Maritime navigation and radiocommunication equipment and systems - Electronic chart display and information system (ECDIS) - Operational and performance requirements, methods of testing and required test results, 04/05/2024

Measuring relays and protection equipment (TC 95)

95/554/CD, IEC 60255-21 ED1: Measuring relays and protection equipment - Part 21: Vibration, shock, bump and seismic tests requirements, 04/05/2024

Nuclear instrumentation (TC 45)

45A/1514/CD, IEC 60880 ED3: Nuclear power plants - Instrumentation and control systems important to safety - Software aspects for computer-based systems performing category A functions, 04/05/2024

Performance of household electrical appliances (TC 59)

59K/384/CD, IEC 60350-2/AMD2 ED2: Amendment 2 - Household electric cooking appliances - Part 2: Hobs - Methods for measuring performance, 04/05/2024

Power electronics (TC 22)

22F/754/CD, IEC TR 63500 ED1: Unified power flow controller (UPFC) installations - System tests, 04/05/2024

Power system control and associated communications (TC 57)

57/2643/CD, IEC TR 62746-2 ED2: Systems interface between customer energy management system and the power management system - Part 2: Use cases and requirements, 04/05/2024

Printed Electronics (TC 119)

119/473/CDV, IEC 62899-302-6 ED1 Printed electronics - Part 302-6: Equipment - Inkjet - First Drop Measurement, 04/05/2024

119/480/CD, Future IEC TR 62899-304-2 ED1: Printed electronics - Part 304-2: Equipment - Sintering - Temperature measurement method for thermal treatment system, 04/05/2024

Rotating machinery (TC 2)

2/2176/CD, IEC 60034-18-31 ED3: Rotating electrical machines - Part 18-31: Functional evaluation of insulation systems - Test procedures for form-wound windings - Thermal evaluation and classification of insulation systems used in rotating machines, 04/05/2024

Safety of machinery - Electrotechnical aspects (TC 44)

44/1020(F)/FDIS, IEC 62061/AMD1 ED2: Amendment 1 - Safety of machinery - Functional safety of safety-related control systems, 02/02/2024

Semiconductor devices (TC 47)

47F/461/NP, PNW 47F-461 ED1: Semiconductor devices - Micro-electromechanical devices - Part 53: MEMS electrothermal transfer device, 04/05/2024

Solar photovoltaic energy systems (TC 82)

82/2213/CD, IEC 62109-1 ED2: Safety of power converters for use in photovoltaic power systems - Part 1: General requirements, 04/05/2024

82/2214/CD, IEC 62109-2 ED2: Safety of power converters for use in photovoltaic power systems - Part 2: Particular requirements for inverters, 04/05/2024

82/2215/CD, IEC TS 61836 ED4: Solar photovoltaic energy systems - Terms, definitions and symbols, 04/05/2024

82/2216/NP, PNW TS 82-2216 ED1: Guidelines for current-voltage measurements of metastable photovoltaic devices, 02/09/2024

Standard voltages, current ratings and frequencies (TC 8)

8/1690/DTS, IEC TS 63222-3 ED1: Power quality management - Part 3: User characteristics modelling, 03/08/2024

System engineering and erection of electrical power installations in systems with nominal voltages above 1 kV A.C., particularly considering safety aspects (TC 99)

99/446/CD, IEC TR 60071-4 ED2: Insulation co-ordination - Part 4: Computational guide to insulation co-ordination and modelling of electrical networks, 03/08/2024

(TC)

CIS/A/1416/CDV, CISPR 16-1-4 ED5: Specification for radio disturbance and immunity measuring apparatus and methods - Part 1-4: Radio disturbance and immunity measuring apparatus - Antennas and test sites for radiated disturbance measurements, 04/05/2024

SyCAAL/332/DTS, IEC SRD 63473 ED1: Active assisted living (AAL) use case standards inventory and mapping, 03/08/2024

Ultrasonics (TC 87)

87/847/CD, IEC 63440 ED1: Ultrasonics - Measurement of temperature rise produced by medical ultrasonic equipment, 04/05/2024

ISO/IEC JTC 1, Information Technology**(JTC1)**

JTC1-SC25/3212/CD, ISO/IEC 24383 ED1: Information technology - Physical network security for the accommodation of customer premises cabling infrastructure and information technology equipment, 03/08/2024

JTC1-SC41/400/CD, ISO/IEC 30186 ED1: Digital twin - Maturity model and guidance for a maturity assessment, 04/05/2024

JTC1-SC41/403/CD, ISO/IEC 30187 ED1: Internet of Things (IoT) - Evaluation indicator for IoT systems, 03/08/2024

JTC1-SC43/82/CD, ISO/IEC TR 27599 ED1: Information Technology - Brain-computer Interfaces - Use Cases (approved for initiation of a TR), 03/08/2024



Newly Published ISO & IEC Standards

Listed here are new and revised standards recently approved and promulgated by ISO - the International Organization for Standardization – and IEC – the International Electrotechnical Commission. Most are available at the ANSI Electronic Standards Store (ESS) at www.ansi.org. All paper copies are available from Standards resellers (<http://webstore.ansi.org/faq.aspx#resellers>).

ISO Standards

Acoustics (TC 43)

[ISO 9613-2:2024](#), Acoustics - Attenuation of sound during propagation outdoors - Part 2: Engineering method for the prediction of sound pressure levels outdoors, \$210.00

Agricultural food products (TC 34)

[ISO 11816-1:2024](#), Milk and milk products - Determination of alkaline phosphatase activity - Part 1: Fluorimetric method for milk and milk-based drinks, \$116.00

[ISO 11816-2:2024](#), Milk and milk products - Determination of alkaline phosphatase activity - Part 2: Fluorimetric method for cheese, \$116.00

Building environment design (TC 205)

[ISO 16484-1:2024](#), Building automation and control systems (BACS) - Part 1: Project specification and implementation, \$157.00

Chemistry (TC 47)

[ISO 7431-2:2024](#), Thiourea for industrial use - Part 2: Specifications, \$51.00

Equipment for fire protection and fire fighting (TC 21)

[ISO 14520-5:2024](#), Gaseous fire-extinguishing systems - Physical properties and system design - Part 5: FK-5-1-12 extinguishant, \$77.00

Ergonomics (TC 159)

[ISO 8025:2024](#), Ergonomics of the thermal environment - Management of working conditions in hot environments, \$183.00

Fine Bubble Technology (TC 281)

[ISO 20304-2:2024](#), Fine bubble technology - Water treatment applications - Part 2: Test methods using *Escherichia coli* as a test micro-organism, \$157.00

Fluid power systems (TC 131)

[ISO 6953-2:2024](#), Pneumatic fluid power - Compressed air pressure regulators and filter-regulators - Part 2: Test methods to determine the main characteristics to include in supplier's literature, \$210.00

Geographic information/Geomatics (TC 211)

[ISO 19152-1:2024](#), Geographic information - Land Administration Domain Model (LADM) - Part 1: Generic conceptual model, \$183.00

Industrial automation systems and integration (TC 184)

[ISO 19450:2024](#), Automation systems and integration - Object-Process Methodology, \$263.00

Materials, equipment and offshore structures for petroleum and natural gas industries (TC 67)

[ISO 19901-3:2024](#), Oil and gas industries including lower carbon energy - Specific requirements for offshore structures - Part 3: Topsides structure, \$263.00

Metallic and other inorganic coatings (TC 107)

[ISO 3882:2024](#), Metallic and other inorganic coatings - Review of methods of measurement of thickness, \$77.00

Non-destructive testing (TC 135)

[ISO 24489:2024](#), Non-destructive testing - Acoustic emission testing - Detection of corrosion at atmospheric and low-pressure metallic storage tank floors, \$157.00

Optics and optical instruments (TC 172)

[ISO 11979-7:2024](#), Ophthalmic implants - Intraocular lenses - Part 7: Clinical investigations of intraocular lenses for the correction of aphakia, \$237.00

Personal safety - Protective clothing and equipment (TC 94)

[ISO 20344:2021/Amd 1:2024](#), - Amendment 1: Personal protective equipment - Test methods for footwear - Amendment 1, \$22.00

[ISO 20345:2021/Amd 1:2024](#), - Amendment 1: Personal protective equipment - Safety footwear - Amendment 1, \$22.00

[ISO 20346:2021/Amd 1:2024](#), - Amendment 1: Personal protective equipment - Protective footwear - Amendment 1, \$22.00

[ISO 20347:2021/Amd 1:2024](#), - Amendment 1: Personal protective equipment - Occupational footwear - Amendment 1, \$22.00

Petroleum products and lubricants (TC 28)

[ISO 12921:2024](#), Petroleum products and lubricants - Determination of the mechanical stability of greases in presence of water, \$51.00

Pigments, dyestuffs and extenders (TC 256)

[ISO 18314-4:2024](#), Analytical colorimetry - Part 4: Metamerism index for pairs of samples for change of illuminant, \$157.00

[ISO 3262-10:2024](#), Extenders - Specifications and methods of test - Part 10: Natural talc/chlorite in lamellar form, \$51.00

[ISO 3262-11:2024](#), Extenders - Specifications and methods of test - Part 11: Natural talc, in lamellar form, containing carbonates, \$51.00

[ISO 3262-17:2024](#), Extenders - Specifications and methods of test - Part 17: Precipitated calcium silicate, \$77.00

Plastics (TC 61)

[ISO 22007-4:2024](#), Plastics - Determination of thermal conductivity and thermal diffusivity - Part 4: Light flash method, \$116.00

Service activities relating to drinking water supply systems and wastewater systems - Quality criteria of the service and performance indicators (TC 224)

[ISO 24595:2024](#), Drinking water, wastewater and stormwater systems and services - Guidelines for the provision of alternative water service for essential facilities during a crisis, \$183.00

Ships and marine technology (TC 8)

[ISO 8728:2024](#), Ships and marine technology - Marine gyro-compasses, \$116.00

Soil quality (TC 190)

[ISO 22036:2024](#), Environmental solid matrices - Determination of elements using inductively coupled plasma optical emission spectrometry (ICP-OES), \$183.00

Steel (TC 17)

[ISO 10544:2024](#), Cold-reduced steel wire for the reinforcement of concrete and the manufacture of welded fabric, \$116.00

Terminology (principles and coordination) (TC 37)

[ISO 24183:2024](#), Technical communication - Vocabulary, \$157.00

[ISO 24613-1:2024](#), Language resource management - Lexical markup framework (LMF) - Part 1: Core model, \$116.00

Thermal insulation (TC 163)

[ISO 6324:2024](#), Thermal insulation products - Flexible microporous insulation for industrial applications - Specification, \$77.00

Tractors and machinery for agriculture and forestry (TC 23)

[ISO 23316-6:2024](#), Tractors and machinery for agriculture and forestry - Electrical high-power interface 700 V DC / 480 V AC - Part 6: Communication signals, \$263.00

Traditional Chinese medicine (TC 249)

[ISO 9109:2024](#), Traditional Chinese medicine - Rehmannia glutinosa root, \$157.00

Tyres, rims and valves (TC 31)

[ISO 24163-2:2024](#), Clamp-in tyre valves for tyre pressure monitoring systems - Part 2: Test methods and performance, \$77.00

Water quality (TC 147)

[ISO 4685:2024](#), Water quality - Radium 226 - Test method using ICP-MS, \$116.00

Welding and allied processes (TC 44)

[ISO 15611:2024](#), Specification and qualification of welding procedures for metallic materials - Qualification based on previous welding experience, \$51.00

[ISO 9455-17:2024](#), Soft soldering fluxes - Test methods - Part 17: Surface insulation resistance comb test and electrochemical migration test of flux residues, \$157.00

ISO Technical Reports**Personal safety - Protective clothing and equipment (TC 94)**

[ISO/TR 21808:2024](#), Best practices on the selection and use of personal protective equipment (PPE) designed to provide protection for firefighters, \$237.00

Sustainable development in communities (TC 268)

[ISO/TR 16497-1:2024](#), Sustainable mobility and transportation - Sustainable mobility services - Part 1: Use cases, \$157.00

ISO Technical Specifications**Graphic technology (TC 130)**

[ISO/TS 18621-31:2024](#), Graphic technology - Image quality evaluation methods for printed matter - Part 31: Evaluation of the perceived resolution of printing systems with the Contrast-Resolution chart, \$183.00

Health Informatics (TC 215)

[ISO/TS 14265:2024](#), Health informatics - Classification of purposes for processing personal health information, \$77.00

ISO/IEC JTC 1, Information Technology

[ISO/IEC 5339:2024](#), Information technology - Artificial intelligence - Guidance for AI applications, \$183.00

[ISO/IEC 5394:2024](#), Information technology - Criteria for concept systems, \$157.00

[ISO/IEC 7810:2019/Amd 1:2024](#), - Amendment 1: Identification cards - Physical characteristics - Amendment 1: Additional requirements for integrated circuit cards with contacts, \$22.00

[ISO/IEC 18013-4:2019/Amd 1:2024](#), - Amendment 1: Personal identification - ISO-compliant driving licence - Part 4: Test methods - Amendment 1: Test methods for compact encoding, \$183.00

[ISO/IEC 15938-17:2024](#), Information technology - Multimedia content description interface - Part 17: Compression of neural networks for multimedia content description and analysis, \$263.00

[ISO/IEC 23090-18:2024](#), Information technology - Coded representation of immersive media - Part 18: Carriage of geometry-based point cloud compression data, \$237.00

International Organization for Standardization (ISO)

Call for International (ISO) Secretariat

ISO/TC 6 – Paper, board and pulps

Reply Deadline: January 31, 2024

ANSI has been informed by the ISO Technical Management Board (ISO/TMB) that Canada (SCC), the ISO delegated Secretariat of ISO/TC 6 – *Paper, board and pulps*, wishes to relinquish the role of the Secretariat.

ISO/TC 6 operates under the following scope:

Standardization in the field of paper, board pulps cellulosic nanomaterials, and lignins, including terminology, sampling procedures, test methods, product and quality specifications, and the establishment and maintenance of appropriate calibration systems. This includes all types of paper, pulps and board as well as products thereof containing any portion of recycled material or material intended for recycling. Excluded: Matters falling within the scopes of particular technical committees (e.g. ISO / TC 42, 46, 122, 130, 154) with which liaison should be maintained.

ANSI is seeking organizations in the U.S. that may be interested in assuming the role of delegated Secretariat for ISO/TC 6. Alternatively, ANSI may be assigned the responsibility for administering an ISO Secretariat. Any request that ANSI accept the direct administration of an ISO Secretariat shall demonstrate that:

1. The affected interests have made a financial commitment for not less than three years covering all defined costs incurred by ANSI associated with holding the Secretariat;
2. the affected technical sector, organizations or companies desiring that the U.S. hold the Secretariat request that ANSI perform this function;
3. the relevant U.S. TAG has been consulted with regard to ANSI's potential role as Secretariat; and
4. ANSI is able to fulfill the requirements of a Secretariat.

Information concerning the United States acquiring the role of international Secretariat may be obtained by contacting ANSI's ISO Team (isot@ansi.org).

Registration of Organization Names in the United States

The Procedures for Registration of Organization Names in the United States of America (document ISSB 989) require that alphanumeric organization names be subject to a 90-day Public Review period prior to registration. For further information, please contact the Registration Coordinator at (212) 642-4975.

When organization names are submitted to ANSI for registration, they will be listed here alphanumerically.

Alphanumeric names appearing for the first time are printed in bold type. Names with confidential contact information, as requested by the organization, list only public review dates.

Public Review

NOTE: Challenged alphanumeric names are underlined. The Procedures for Registration provide for a challenge process, which follows in brief. For complete details, see Section 6.4 of the Procedures.

A challenge is initiated when a letter from an interested entity is received by the Registration Coordinator. The letter shall identify the alphanumeric organization name being challenged and state the rationale supporting the challenge. A challenge fee shall accompany the letter. After receipt of the challenge, the alphanumeric organization name shall be marked as challenged in the Public Review list. The Registration Coordinator shall take no further action to register the challenged name until the challenge is resolved among the disputing parties.

Proposed Foreign Government Regulations

Call for Comment

U.S. manufacturers, exporters, trade associations, U.S. domiciled standards development organizations and conformity assessment bodies, consumers, or U.S. government agencies may be interested in proposed foreign technical regulations notified by Member countries of the World Trade Organization (WTO). In accordance with the WTO Agreement on Technical Barriers to Trade (TBT Agreement), Members are required to notify to the WTO Secretariat in Geneva, Switzerland proposed technical regulations that may significantly affect trade. In turn, the Secretariat circulates the notifications along with the full texts. The purpose of the notification requirement is to provide global trading partners with an opportunity to review and comment on the regulations before they become final. The USA Enquiry Point for the WTO TBT Agreement is located at the National Institute of Standards and Technology (NIST) in the Standards Coordination Office (SCO). The Enquiry Point relies on the WTO's ePing SPS&TBT platform to distribute the notified proposed foreign technical regulations (notifications) and their full texts available to U.S. stakeholders. Interested U.S. parties can register with ePing to receive e-mail alerts when notifications are added from countries and industry sectors of interest to them. The USA WTO TBT Enquiry Point is the official channel for distributing U.S. comments to the network of WTO TBT Enquiry Points around the world. U.S. business contacts interested in commenting on the notifications are asked to review the comment guidance prior to submitting comments. For non-notified foreign technical barriers to trade for non-agricultural products, stakeholders are encouraged to reach out as early as possible to the Office of Trade Agreements Negotiations and Compliance (TANC) in the International Trade Administration (ITA) at the Department of Commerce (DOC), which specializes in working with U.S. stakeholders to remove unfair foreign government-imposed trade barriers. The U.S. Department of Agriculture's Foreign Agricultural Service actively represents the interests of U.S. agriculture in the WTO committees on Agriculture, Sanitary and Phytosanitary (SPS) measures and Technical Barriers to Trade (TBT). FAS alerts exporters to expected changes in foreign regulations concerning food and beverage and nutrition labeling requirements, food packaging requirements, and various other agriculture and food related trade matters. Working with other Federal agencies and the private sector, FAS coordinates the development and finalization of comments on measures proposed by foreign governments to influence their development and minimize the impact on U.S. agriculture exports. FAS also contributes to the negotiation and enforcement of free trade agreements and provides information about tracking regulatory changes by WTO Members. The Office of the United States Trade Representative (USTR) WTO & Multilateral Affairs (WAMA) office has responsibility for trade discussions and negotiations, as well as policy coordination, on issues related technical barriers to trade and standards-related activities.

Online Resources:

WTO's ePing SPS&TBT platform: <https://epingalert.org/>

Register for ePing: <https://epingalert.org/en/Account/Registration>

WTO committee on Agriculture, Sanitary and Phytosanitary (SPS) measures:

https://www.wto.org/english/tratop_e/sps_e/sps_e.htm

WTO Committee on Technical Barriers to Trade (TBT): https://www.wto.org/english/tratop_e/tbt_e/tbt_e.htm

USA TBT Enquiry Point: <https://www.nist.gov/standardsgov/usa-wto-tbt-enquiry-point>

Comment guidance:

<https://www.nist.gov/standardsgov/guidance-us-stakeholders-commenting-notifications-made-wto-members-tbt-committee>

NIST: <https://www.nist.gov/>

TANC: <https://www.trade.gov/office-trade-agreements-negotiation-and-compliance-tanc>

Examples of TBTs: https://tcc.export.gov/report_a_barrier/trade_barrier_examples/index.asp.

Report Trade Barriers: https://tcc.export.gov/Report_a_Barrier/index.asp.

USDA FAS: <https://www.fas.usda.gov/about-fas>

FAS contribution to free trade agreements: <https://www.fas.usda.gov/topics/trade-policy/trade-agreements>

Tracking regulatory changes: <https://www.fas.usda.gov/tracking-regulatory-changes-wto-members>

USTR WAMA: <https://ustr.gov/trade-agreements/wto-multilateral-affairs/wto-issues/technical-barriers-trade>

Contact the USA TBT Enquiry Point at (301) 975-2918; E usatbtep@nist.gov or notifyus@nist.gov.

Second Public Review (January 2024) (Draft shows Proposed Changes to Current Draft Standard made to comply with ANSI's Commercial Terms and Conditions Policy).

This draft has been recommended for public review by the CET Standards Development Committee. To submit a comment on this proposed standard, go to the IACET website at www.iacet.org/rfc and access the online comment database. The draft is subject to modification until it is approved for publication by the IACET Council for Standards Development and ANSI. Until this time, the current edition of the standard remains in effect.

Note: This limited revision 2nd public review draft makes proposed substantive changes to the current draft standard to comply with ANSI's Commercial Terms and Conditions Policy. These changes are indicated in the text by underlining (for additions) and strikethrough (for deletions) except where the reviewer instructions specifically describe some other means of showing the changes. Only these changes to the current draft standard are open for review and comment at this time. Additional material is provided for context only and is not open for comment except as it relates to the proposed changes.

IACET 1-2023

IACET 1-2023 Standard for Continuing Education and Training

International Accreditors for Continuing Education and Training

1 Scope

2 Normative references

3 Terms and definitions

3.1

~~accredited~~ provider

a CE/T provider **demonstrating** that:

- 1) their CE/T program adheres to the ANSI/IACET Standard for Continuing Education and Training;
- 2) their program's policies and **processes** have met all the elements of the ANSI/IACET Standard.

~~NOTE—In this document, the IACET Accredited Provider is referred to as the "Provider."~~

3.2

3.3

3.4

3.5

contact hours

For purposes of the ~~IACET~~ CEU, the word contact implies a two-way connection between the **learner** and learning source – that is, the instructor or learning source monitors the **learner's** progress and/or provides some form of feedback to the **learner**.

Note 1 to entry: ~~IACET CEUs~~ are not awarded for unplanned, unsupervised, or non-sponsored learning activities or for non-countable activities, such as breaks, non-working meals, and anything promotional or intended for sales only.

3.6

3.7

continuing education units

CEUs or IACET CEUs

standard unit of measurement used to quantify continuing education and training activities issued by **Providers** ~~who achieve accreditation to the ANSI/IACET CE/T standard~~

4 Significance and use

4.1 The ~~IACET CEU~~ was created and designed to:

4.2 This practice has been developed to:

~~4.3 IACET accredits organizations.~~

~~IACET accredits organizations to offer IACET CEUs as an Accredited Provider based on the organization's demonstrated processes used to plan, design, develop, deliver, and administer learning events.~~

~~4.3.1 Requirements to meet the conditions of the accreditation are identified by "shall" in this document.~~

~~4.3.2 Shall statements are mandatory actions required of the Accredited Provider.~~

~~4.4 IACET does not issue CEUs.~~

~~4.4.1 The Provider shall not state or imply that CEUs are offered through IACET.~~

~~4.5 IACET does not require the Provider to issue IACET CEUs to learners who successfully complete their learning outcomes.~~

~~4.5.1 The Provider shall have a method for calculating IACET CEUs. (See 7.1.4)~~

~~4.6 IACET does not approve individual learning events.~~

~~4.6.1 The Provider shall not state or imply that IACET approves or endorses a learning event.~~

~~4.7 IACET accreditation is not transferable.~~

~~4.7.1 In the event that a CE/T Program is sold or licensed to another organization that then represents the program as its own, the Provider shall not state or imply that IACET Accreditation is included as part of the agreement.~~

~~4.7.2 Neither shall the Provider issue IACET CEUs for learning events that it has purchased or licensed from another organization.~~

5 Requirements for **accredited** provider

6 Requirements for the learning event

6.1 Learning event instructional design

6.2 Learning content

- 6.2.1 The **Provider** shall have a **Process** to ensure the **learning event's** content supports the **learning outcomes**.
- 6.2.2 The **Provider** shall have a **Process** to ensure a **learning event's** instructional method(s):
- 6.2.3 The **Provider** shall not award partial or adjusted **IACET CEUs** if the criteria for achieving the **IACET CEUs** has not been met.

6.3 Assessing learning outcomes

6.4 Learning environment and support systems

- 6.4.1 The **Provider** shall ensure relevant **instructional resources** are available for **instructors, learners,** and staff.
- 6.4.2 The **Provider** shall ensure the **learning environment(s)** support the achievement of **learning outcomes**.
- 6.4.3 The **Provider** shall have a **Process** to disseminate information to **learners** in advance of the **learning event**. That information shall include but not be limited to:
- 1) Administrative and logistics information.
 - 2) Prerequisites.
 - 3) **Learning outcomes**.
 - 4) Criteria for successful completion of the **learning event**.
 - 5) Criteria to earn **IACET CEU**, if applicable.

7 Recognizing successful achievement and maintaining learner records

7.1 Recognizing and communicating completion status

- 7.1.1 The **Provider** shall have a **Process** for identifying **learners** who successfully complete a **learning event**.
- 7.1.2 The **Provider** shall have a **Process** for verifying that the **learner** who is recognized for successfully completing the **learning event** is the same **learner** who registered and participated.
- 7.1.3 The **Provider** shall have a **Process** to inform the **learner** if they have or have not met successful completion requirements of the **learning event**.
- 7.1.4 The **Process** shall recognize and communicate successful completion of the **learning event** through a certificate, transcript, badge, or other mechanism which specifically identifies what the **learner** completed and makes that available to the **learner**.

- 7.1.5 If **IACET CEUs** are issued, they shall be recognized through a certificate, digital badge, or other mechanism.
- 7.1.6 The **Provider** shall have a **Process** to calculate **IACET CEUs** available for each **learning event**.
- 7.1.6.1 **IACET CEUs** shall be calculated to the nearest tenth at a minimum and at a maximum to the nearest hundredth.
- 7.1.7 The **Process** shall calculate the number of **IACET CEUs** such that 10 **Contact Hours** = 1 **IACET CEU**.
- 7.1.8 The **Process** shall require recalculating **IACET CEUs** when major changes occur in **learning event** content, duration, delivery method, or instruction method.

NOTE Calculations may be rounded up.

7.2 Maintaining learner records

- 7.2.1 The **Provider** shall maintain an operational recordkeeping system, including backup, for each **learner** and **learning event**, including the following:
- **Provider's** name and address.
 - **Learner's** name and/or unique identification.
 - **Learning event** title.
 - **Learning event** completion date.
 - Number of **IACET CEUs** awarded.
 - Description of codes used, if any.

Not for publication. This document is part of the NSF standard development process. This draft text is for circulation for review and/or approval by an NSF Standards Committee and has not been published or otherwise officially adopted. All rights reserved. This document may be reproduced for informational purposes only.

[Note – The recommended changes to the standard which include the current text of the relevant section(s) indicate deletions by use of ~~strikeout~~ and additions by **grey highlighting**. Revision 2 changes are indicated by **yellow highlighting**. Rationale statements are in *italics* and only used to add clarity; these statements will NOT be in the finished publication.]

NSF/ANSI Standard 401:

Drinking Water Treatment Units – Emerging Compounds / Incidental Contaminants

⋮

2 Normative references

The following documents contain requirements that, by reference in this text, constitute requirements of this standard. At the time of publication, the indicated editions were valid. All of the documents are subject to revision and parties are encouraged to investigate the possibility of applying the recent editions of the documents indicated below. The most recent published edition of the document shall be used for undated references.

⋮

EPA-600/4-90-020, *Methods for the Determination of Organic Compounds in Drinking Water, Supplement 1*, July 1990⁶

ISO 12103-1:1997, *Road Vehicles – Test dust for filter evaluation – Part 1: Arizona test dust*⁷

NIST Standard Reference Database 1A (NIST/EPA/NIH Mass Spectral Library with Search Program), NIST20/NIST v20⁷⁸

⋮

7 Elective performance claims – Test methods

⋮

7.3 Mechanical reduction claims

7.3.1 Microplastics reduction claim for filters

Testing shall be performed in accordance with the test procedure under NSF/ANSI 42 for nominal particulate reduction (85%) claims for the reduction of nominal particulate Class I.

7.3.2 Microplastics reduction claim for reverse osmosis systems

The system shall reduce the number of particles by at least 85%, when tested in accordance to Section 7.3.2. A claim for a greater percent reduction, if made, shall be substantiated by testing.

7.3.2.1 Apparatus

A test apparatus capable of providing specified flow rates and pressures shall be used. An example of an appropriate test apparatus appears in Figure 3.

⁶ US Environmental Protection Agency. 1200 Pennsylvania Avenue NW, Washington, DC 20004. <www.epa.gov>

⁷ International Organization for Standardization. Chemin de Blandonnet 8, Case Postale 401, 1214 Vernier, Geneva, Switzerland. <www.iso.org>

⁷⁸ National Institute of Standards and Technology, U.S. Department of Commerce. 100 Bureau Drive, Gaithersburg, MD 20899-8930. <www.nist.gov>

Not for publication. This document is part of the NSF standard development process. This draft text is for circulation for review and/or approval by an NSF Standards Committee and has not been published or otherwise officially adopted. All rights reserved. This document may be reproduced for informational purposes only.

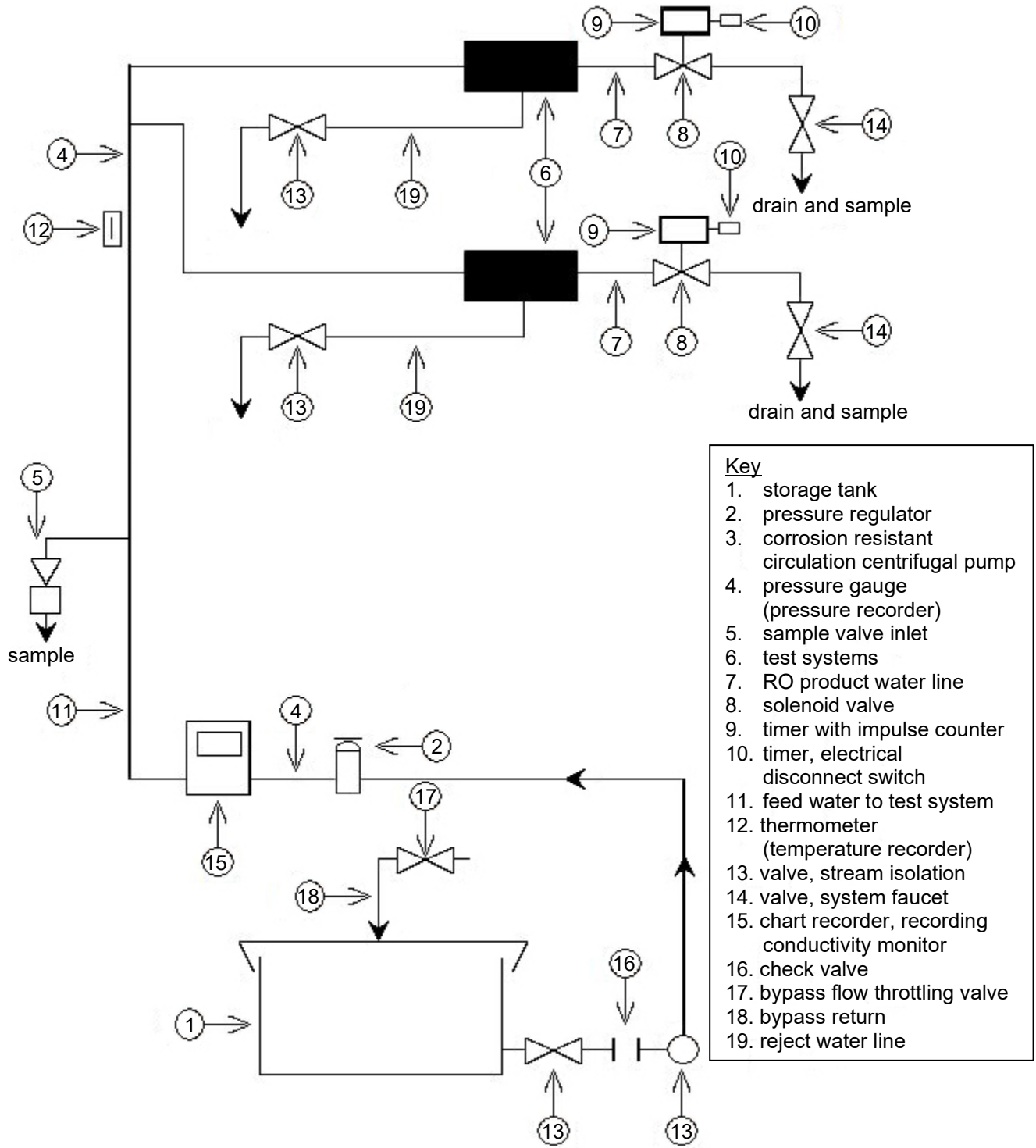


Figure 3
 Example test apparatus

Not for publication. This document is part of the NSF standard development process. This draft text is for circulation for review and/or approval by an NSF Standards Committee and has not been published or otherwise officially adopted. All rights reserved. This document may be reproduced for informational purposes only.

7.3.2.2 Analytical methods

Standard particle counting techniques available from particle counter manufacturers shall be used. Postmembrane filters shall be removed prior to testing.

7.3.2.3 General test water

A public water supply shall be used with the following specific characteristics maintained throughout the test:

TDS	200 to 500 mg/L
turbidity	≤ 1 NTU
pH	7.5 ± 0.5
temperature	25 ± 1 °C (77 ± 2 °F)

7.3.2.4 Influent challenge

Test dust conforming to the specifications in ISO 12103-1 *Road Vehicles – Test Dust for Filter Evaluation* shall be added to the general test water specified in Section 7.3.2.3 according to the requirements in Table 7.2.

Table 7.2
Test dust specifications for microplastics reduction

Particulate class	Test dust	Size range (µm)	Specification	Challenge concentration ^a
I	ISO fine test dust	0 to 80	ISO 12103-1, A2	10,000/mL

^a The stated challenge concentration is the minimum number of particles in the particle size range that is being tested.

7.3.2.5 Sampling

Product water samples shall be collected from the first water out of the system in the amount of 250 mL or total volume needed for analysis, whichever is greater. Influent and product samples shall be analyzed for all test contaminants. On Day 1 of testing, the storage tank shall be emptied after each collection at 4 h and 8 h. On Days 2 to 4 of testing, 5% of the first day's production rate shall be withdrawn from the storage tank after each collection at the beginning of the day and after an elapsed time of 6 h and 12 h from which a test contaminant sample shall be collected and analyzed. Days 5 and 6 represent a 54 h stagnation period, under pressure, during which no product water shall be withdrawn. At the start of Day 7, 144 h into the test, a sample shall be collected and analyzed, followed by emptying of the storage tank. A final sample shall be collected and analyzed on Day 7 for the first 4 h period. After the last sample for test contaminants is collected, the storage tank shall be emptied.

7.3.2.5.1 Systems without storage tanks

Product water samples shall be collected from the first water out of the system in the amount of 250 mL or total volume needed for analysis, whichever is greater. Influent and product samples shall be analyzed for all test contaminants. On Day 1 of testing, samples shall be collected at 4 h and 8 h. On Days 2 to 4 of testing, samples shall be collected at the beginning of the day and after an elapsed time of 6 h and 12 h and analyzed for TDS. Days 5 and 6 represent a 54-h stagnation period, under pressure, during which no

Not for publication. This document is part of the NSF standard development process. This draft text is for circulation for review and/or approval by an NSF Standards Committee and has not been published or otherwise officially adopted. All rights reserved. This document may be reproduced for informational purposes only.

product water shall be withdrawn. At the start of Day 7, 144 h into the test, a sample shall be collected and analyzed. A final sample shall be collected and analyzed on Day 7 for the first 4-h period.

7.3.2.5.2 Systems with storage tank and automatic shutoff

Product water samples shall be collected from the first water out of the system in the amount of 250 mL or total volume needed for analysis, whichever is greater. Influent and product samples shall be analyzed for all test contaminants. On Day 1 of testing, the storage tank shall be emptied after each collection at 4 h and 12 h. On Days 2 to 4 of testing, 5% of the first day's production rate shall be withdrawn from the storage tank after each collection at the beginning of the day and after an elapsed time of 6 and 12 h. Days 5 and 6 represent a 54-h stagnation period, under pressure, during which no product water shall be withdrawn. At the start of Day 7, 144 h into the test, a sample shall be collected and analyzed, followed by emptying of the storage tank. A final sample shall be collected and analyzed on Day 7 for the first 4-h period. After the last sample for test contaminants is collected, the storage tank shall be emptied.

7.3.2.5.3 Systems with no shutoff provisions

Product water samples shall be collected from the first water out of the system in the amount of 250 mL or total volume needed for analysis, whichever is greater. Influent and product samples shall be analyzed for test contaminants. On Day 1 of testing, samples shall be collected at 4 h intervals including 4 h, 8 h, 12 h, and 16 h. The storage tank shall be emptied after each collection and the product water volume shall be recorded in liters (gallons) at each 4 h sample point. On Days 2 to 4 of testing, 5% of the first day's production rate shall be withdrawn from the storage tank after each collection at the beginning of the day and after an elapsed time of 6 h and 12 h. Days 5 and 6 represent a 54-h stagnation period, under pressure, during which no product water shall be withdrawn. At the start of Day 7, 144 h into the test, a sample shall be collected and analyzed, followed by emptying of the storage tank. A final sample shall be collected and analyzed on Day 7 for the first 4-h period. After the last sample for test contaminants is collected, the storage tank shall be emptied.

⋮

Rationale:

- *The proposed language adds a microplastics test protocol and microplastics reduction claim for RO systems to NSF/ANSI 401. The procedures and requirements come from established procedures in NSF/ANSI 58 and NSF/ANSI 42.*
- **Revision 2** *removes a redundant paragraph based on a comment received in the r1 adjudication ballot.*

BSR/UL 399, Standard for Safety for Drinking Water Coolers

1. Compliance to UL 4200A for Water Coolers Using Button Cell Batteries

PROPOSAL

18.2 A product for household use and provided with one or more batteries as specified in 18.1 shall comply with the Standard for Products Incorporating Button Batteries or Coin Cell Batteries of Lithium Technologies, UL 4200A or be intended for one of the following:

- a) Countertop use only;
- b) Built-in, column mount or wall-hung installation and with the batteries located at a height not less than 4 feet (1.2 m) above the floor; or
- c) Use where the batteries are not intended to be replaced and are not referenced in the product markings or in any instructions provided with the product.

ULSE Inc. copyrighted material. Not authorized for further reproduction without permission from ULSE Inc.