

00
01
02
03
04
05
06
07
08
09
10
11
12
13
14
15
16
17
18
19
20
21
22
23
24
25
26
27
28
29
30
31
32
33
34
35
36
37
38
39
40
41
42
43
44
45
46
47
48
49
50
51
52
53

Copies of this document may be purchased from: INCITS 543-201x / Rev 0.13
_____,
Address:
Phone: _____
Fax: _____

FIBRE CHANNEL
Physical Interface-7
REV 0.13

INCITS working draft proposed
American National Standard
for Information Technology

September 5, 2018

Secretariat: Information Technology Industry Council

ABSTRACT: This standard describes the point-to-point physical interface portions of Fibre Channel optical link and backplane variants that support the higher level Fibre Channel protocols. This standard is recommended for new implementations but does not obsolete the existing Fibre Channel standards.

NOTE:

This is a working draft American National Standard of Accredited Standards Committee INCITS. As such this is not a completed standard. The T11 Technical Committee may modify this document as a result of comments received, or during a future public review and its eventual approval as a Standard. Use of the information contained herein is at your own risk.

Permission is granted to members of INCITS, its technical committees, and their associated task groups to reproduce this document for the purposes of INCITS standardization activities without further permission, provided this notice is included. All other rights are reserved. Any duplication of this document for commercial or for-profit use is strictly prohibited.

POINTS OF CONTACT:

Steven Wilson (T11 Chairman)
Broadcom Limited
120 Holger Way
San Jose, CA 95134
(408) 333-8128 Fax: (408) 333-6655
E-Mail: steve.wilson@broadcom.com

Craig Carlson (T11 Vice Chairman)
QLogic Corporation.
6321 Bury Drive
Eden Prairie, MN 55346
E-Mail: craig.carlson@cavium.com

Jose M. Castro (Editor)
Panduit Corporation
6200 West 175th Street
Tinley Park, IL 60477
E-Mail: jmca@panduit.com

00
01
02
03
04
05
06
07
08
09
10
11
12
13
14
15
16
17
18
19
20
21
22
23
24
25
26
27
28
29
30
31
32
33
34
35
36
37
38
39
40
41
42
43
44
45
46
47
48
49
50
51
52
53

00
01
02
03
04
05
06
07
08
09
10
11
12
13
14
15
16
17
18
19
20
21
22
23
24
25
26
27
28
29
30
31
32
33
34
35
36
37
38
39
40
41
42
43
44
45
46
47
48
49
50
51
52
53

INCITS® 00
543-201x 01

02
03
04
05
06
07
08
09
10
11
12
13
14
15
16
17
18
19
20
21
22
23
24
25
26
27
28
29
30
31
32
33
34
35
36
37
38
39
40
41
42
43
44
45
46
47
48
49
50
51
52
53

American National Standard
for Information Technology

**Fibre Channel —
Physical Interface-7 (FC-PI-7)**

Secretariat
Information Technology Industry Council

Approved (not yet approved)
American National Standards Institute, Inc.

Abstract

ABSTRACT: This standard describes the point-to-point physical interface portions of Fibre Channel optical link and backplane variants that support the higher level Fibre Channel protocols. This standard is recommended for new implementations but does not obsolete the existing Fibre Channel standards.

00
01
02
03
04
05
06
07
08
09
10
11
12
13
14
15
16
17
18
19
20
21
22
23
24
25
26
27
28
29
30
31
32
33
34
35
36
37
38
39
40
41
42
43
44
45
46
47
48
49
50
51
52
53

American National Standard

Approval of an American National Standard requires review by ANSI that the requirements for due process, consensus, and other criteria for approval have been met by the standards developer.

Consensus is established when, in the judgement of the ANSI Board of Standards Review, substantial agreement has been reached by directly and materially affected interests. Substantial agreement means much more than a simple majority, but not necessarily unanimity. Consensus requires that all views and objections be considered, and that a concerted effort be made towards their resolution.

The use of American National Standards is completely voluntary; their existence does not in any respect preclude anyone, whether he has approved the standards or not, from manufacturing, marketing, purchasing, or using products, processes, or procedures not conforming to the standards. The American National Standards Institute does not develop standards and will in no circumstances give an interpretation of any American National Standard. Moreover, no person shall have the right or authority to issue an interpretation of an American National Standard in the name of the American National Standards Institute. Requests for interpretations should be addressed to the secretariat or sponsor whose name appears on the title page of this standard.

CAUTION NOTICE: This American National Standard may be revised or withdrawn at any time. The procedures of the American National Standards Institute require that action be taken periodically to reaffirm, revise, or withdraw this standard. Purchasers of American National Standards may receive current information on all standards by calling or writing the American National Standards Institute.

CAUTION: The developers of this standard have requested that holders of patents that may be required for the implementation of the standard disclose such patents to the publisher. However, neither the developers nor the publisher have undertaken a patent search in order to identify which, if any, patents may apply to this standard.

As of the date of publication of this standard, following calls for the identification of patents that may be required for the implementation of the standard, notice of one or more such claims has been received.

By publication of this standard, no position is taken with respect to the validity of this claim or of any rights in connection therewith. The known patent holders have, however, filed a statement of willingness to grant a license under these rights on reasonable and nondiscriminatory terms and conditions to applicants desiring to obtain such a license. Details may be obtained from the publisher.

No further patent search is conducted by the developer or publisher in respect to any standard it processes. No representation is made or implied that this is the only license that may be required to avoid infringement in the use of this standard.

Published by

**Information Technology Industry Council
1101 K Street NW, Suite 610, Washington DC 20005**

Copyright © 200x by American National Standards Institute
All rights reserved

No part of this publication may be reproduced in any form, in an electronic retrieval system or otherwise, without prior written permission of ITI, 1250 Eye Street NW, Washington, DC 20005.

00
01
02
03
04
05
06
07
08
09
10
11
12
13
14
15
16
17
18
19
20
21
22
23
24
25
26
27
28
29
30
31
32
33
34
35
36
37
38
39
40
41
42
43
44
45
46
47
48
49
50
51
52
53

Foreword

(This Foreword is not part of INCITS 543-201x.)

00
01
02
03
04
05
06
07
08
09
10
11
12
13
14
15
16
17
18
19
20
21
22
23
24
25
26
27
28
29
30
31
32
33
34
35
36
37
38
39
40
41
42
43
44
45
46
47
48
49
50
51
52
53

This standard was developed by Task Group T11.2 of Accredited Standards Committee INCITS during 2016, 2017, and 2018. The standards approval process will be started in 2018. This document includes annexes that are informative and are not considered part of the standard.

Requests for interpretation, suggestions for improvements or addenda, or defect reports are welcomed. They should be sent to the INCITS Secretariat, Information Technology Industry Council, 1101 K Street NW, Suite 610, Washington DC 20005.

This standard was processed and approved for submittal to ANSI by the National Committee for Information Technology Standards (INCITS). Committee approval of the standard does not necessarily imply that all committee members voted for approval.

At the time it approved this standard, INCITS had the following members:

00 Technical Committee T11 on Lower Level Interfaces, that reviewed this standard, had the following 00
01 members: 01
02 02
03 Steve Wilson, Chair 03
04 Craig Carlson, Vice-Chair 04
05 Richard Johnson, Secretary 05
06 06
07 MEMBERSHIP TABLES TO BE ADDED AT THE TIME OF PUBLICA- 07
08 TION 08
09 09
10 10
11 A list of Emeritus members of T11 is given below. 11
12 12
13 A list of Advisory members of T11 is given below. 13
14 14
15 15
16 16
17 17
18 18
19 19
20 20
21 21
22 22
23 23
24 24
25 25
26 26
27 27
28 28
29 29
30 30
31 31
32 32
33 33
34 34
35 35
36 36
37 37
38 38
39 39
40 40
41 41
42 42
43 43
44 44
45 45
46 46
47 47
48 48
49 49
50 50
51 51
52 52
53 53

00		00
01	Task Group T11.2 on Fibre Channel Protocols, that developed and reviewed this standard, had	01
02	the following members:	02
03		03
04	Tom Palkert, Chair	04
05	Dean Wallace, Vice-Chair	05
06	Richard Johnson, Secretary	06
07		07
08		08
09	A list of Emeritus members of T11.2 is given below.	09
10		10
11	A list of Advisory members of T11.2 is given below.	11
12		12
13		13
14		14
15	Acknowledgements	15
16	The technical editor would like to thank the following individuals for their special contributions to this	16
17	standard:	17
18		18
19	Jonathan King for optical link budget	19
20	John Petrilla for electrical link budget	20
21	Mike Dudek for backplane solution	21
22	Richard Johnson for his support editing this document.	22
23		23
24	Dean Wallace for leadership	24
25		25
26		26
27		27
28	Revision History	28
29		29
30	1) Revision 0.00 Initial blank document.	30
31	2) Revision 0.03 Initial release of tables for informal comment.	31
32	3) Revision 0.04 released for further comments.	32
33	4) Revision 0.05 released for T11.2 committee letter Ballot.	33
34	5) Revision 0.06 released for further comments.	34
35	6) Revision 0.07 released for further comments.	35
36	7) Revision 0.08 released for further comments.	36
37	8) Revision 0.09 released for further comments.	37
38	9) Revision 0.10 released for further comments.	38
39	10) Revision 0.11 released for further comments.	39
40	11) Revision 0.12 released for further comments.	40
41	12) Revision 0.13 released for public review.	41
42		42
43		43
44		44
45		45
46		46
47		47
48		48
49		49
50		50
51		51
52		52
53		53

00
01
02
03
04
05
06
07
08
09
10
11
12
13
14
15
16
17
18
19
20
21
22
23
24
25
26
27
28
29
30
31
32
33
34
35
36
37
38
39
40
41
42
43
44
45
46
47
48
49
50
51
52
53

00
01
02
03
04
05
06
07
08
09
10
11
12
13
14
15
16
17
18
19
20
21
22
23
24
25
26
27
28
29
30
31
32
33
34
35
36
37
38
39
40
41
42
43
44
45
46
47
48
49
50
51
52
53

00		00
01	AMERICAN NATIONAL STANDARD	FC-PI-7 Rev 0.13
02		
03		
04	American National Standard	
05	for Information Technology–	
06		
07		
08	Fibre Channel –	
09	Physical Interface-7 (FC-PI-7)	
10		
11		
12		
13	1 Scope	
14		
15	This international standard describes the physical interface portions of high performance optical link	
16	variants that support the higher level Fibre Channel protocols including FC-FS-4 (reference [1]) and	
17	FC-FS-5 (reference [2]).	
18	FC-PI-7 specifies 64GFC. 32GFC and 128GFC are described in FC-PI-6 (reference [3]) and FC-PI-	
19	6P (reference [4]) respectively. 16GFC, 8GFC and 4GFC are described in FC-PI-5 (reference [5]).	
20		
21		
22	2 Normative references	
23		
24	2.1 General	
25		
26	The following standards contain provisions that, through reference in this text, constitute provisions of	
27	this standard. At the time of publication, the editions indicated were valid. Standards are subject to re-	
28	vision, and parties to agreements based on this standard are encouraged to investigate the possibili-	
29	ty of applying the most recent editions of the following list of standards. Members of IEC and ISO	
30	maintain registers of currently valid International Standards.	
31	Copies of the following documents can be obtained from ANSI: Approved ANSI standards, approved	
32	and draft international and regional standards (ISO, IEC), and other approved standards (including	
33	JIS and DIN).	
34		
35	2.2 Normative references	
36		
37	2.2.1 Approved references	
38		
39	[1] ANSI/INCITS 488-2016, FC-FS-4, Fibre Channel Framing and Signaling 4	
40	[2] ANSI/INCITS 545-2018, FC-FS-5, Fibre Channel Framing and Signaling 5	
41	[3] ANSI/INCITS 512-2015, FC-PI-6, Fibre Channel Physical Interfaces - 6	
42	[4] ANSI/INCITS 533-2016, FC-PI-6P, Fibre Channel Physical Interfaces - 6P	
43	[5] ANSI/INCITS 479-2011, FC-PI-5, Fibre Channel Physical Interfaces - 5	
44	[6] ANSI/INCITS TR-46-2011, FC-MSQS, Fibre Channel Methodologies for Signal Quality	
45	Specification	
46	[7] ANSI/INCITS TR-50-2014, FC-MSQS-2, Fibre Channel Methodologies for Signal Quality	
47	Specification 2	
48	[8] IEC 61280-1-3, Fiber optic communication subsystem basic test procedures - Part 1-3: Test	
49	procedures for general communication subsystems - Central wavelength and spectral width	
50	measurement	
51		
52		
53		

00	[9] IEC 60793-2-10 , Optical fibers - Part 2-10: Product specifications - Sectional specification for	00
01	category A1 multimode fibers	01
02		02
03	[10] IEC 60793-2-50 , Optical fibers - Part 2-50: Product specifications - Sectional specification for	03
04	class B single-mode fibers	04
05	[11] IEC 60825-1 , Safety of laser products - Part 1: Equipment classification and requirements,	05
06	latest edition.	06
07		07
08	[12] IEC 60825-2 , Safety of laser products - Part 2: Safety of optical fiber communication systems,	08
09	latest edition.	09
10	[13] TIA-492AAAC , Detail Specification for 850-nm Laser-Optimized, 50- μ m Core Diameter/125- μ m	10
11	Cladding Diameter Class Ia Graded-Index Multimode Optical Fibers	11
12		12
13	[14] TIA-492AAAD , Detail Specification for 850-nm Laser-Optimized, 50- μ m Core Diameter/125- μ m	13
14	Cladding Diameter Class Ia Graded-Index Multimode Optical Fibers Suitable for Manufacturing	14
15	OM4 Cabled Optical Fiber	15
16	[15] TIA-492AAAE , Detail Specification for 50- μ m Core Diameter/125- μ m Cladding Diameter Class	16
17	1a Graded-Index Multimode Optical Fibers with Laser-Optimized Bandwidth Characteristics	17
18	Specified for Wavelength Division Multiplexing	18
19		19
20	[16] IEEE 802.3™-2018 , IEEE Standard for Ethernet	20
21	[17] OIF-CEI-04.0 , Clause 21 CEI-56G-LR PAM4 Long Reach Interface	21
22		22
23	2.2.2 References under development	23
24		24
25	At the time of publication, the following referenced standards were still under development. For infor-	25
26	mation on the current status of the documents, or regarding availability, contact the relevant stan-	26
27	dards body or other organization as indicated.	27
28	[18] IEEE 802.3cd 50Gb/s and 200 Gb/s Ethernet Task Force	28
29		29
30		30
31		31
32		32
33		33
34		34
35		35
36		36
37		37
38		38
39		39
40		40
41		41
42		42
43		43
44		44
45		45
46		46
47		47
48		48
49		49
50		50
51		51
52		52
53		53

00	3 Definitions and conventions	00
01		01
02	For the purposes of this standard, the following definitions, conventions, abbreviations, acronyms,	02
03	and symbols apply.	03
04		04
05	3.1 Definitions	05
06		06
07	3.1.1 α_T, α_R : alpha T, alpha R; reference points used for establishing signal budgets at the chip	07
08	contacts of the transmitter and receiver in an FC device or retiming element.	08
09		09
10	3.1.2 γ_T, γ_R : gamma T, gamma R; interoperability points used for establishing signal budgets.	10
11	Gamma T is the optical transmitter interface compliant point defined as the output of a 0.5 m	11
12	to 2 m patchcord connected to the external enclosure connector.	12
13		13
14	3.1.3 δ_T, δ_R : delta T, delta R; interoperability points used for establishing signal budget at the	14
15	internal connector of a removable PMD element.	15
16		16
17	3.1.4 alpha T, alpha R: see α_T, α_R (3.1.1).	17
18		18
19	3.1.5 attenuation: the transmission medium power or amplitude loss expressed in units of dB.	19
20		20
21	3.1.6 average power: the optical power measured using an average-reading power meter when	21
22	transmitting valid transmission characters.	22
23		23
24	3.1.7 bandwidth: the difference between the upper -3 dB frequency and the lower -3 dB frequency	24
25	of the amplitude response of a Fibre Channel component.	25
26		26
27	3.1.8 baud: a unit of signaling speed, expressed as the maximum number of times per second the	27
28	signal may change the state of the transmission line or other medium. (Units of baud are	28
29	symbols/sec.)	29
30		30
31	3.1.9 bit error ratio (BER): the probability of a correct transmitted bit being erroneously received in	31
32	a communication system. For purposes of this standard BER is the number of bits output	32
33	from a receiver that differ from the correct transmitted bits, divided by the number of	33
34	transmitted bits.	34
35		35
36	3.1.10 bit synchronization: the condition that a receiver is delivering retimed serial data at the	36
37	required BER.	37
38		38
39	3.1.11 byte: an eight-bit entity prior to encoding, or after decoding, with its least significant bit	39
40	denoted as bit 0 and most significant bit as bit 7. The most significant bit is shown on the left	40
41	side unless specifically indicated otherwise.	41
42		42
43	3.1.12 cable plant: all passive communications elements (e.g., optical fiber, cable, connectors,	43
44	splices, etc.) between a transmitter and a receiver.	44
45		45
46	3.1.13 center wavelength (laser): the value of the central wavelength of the operating, modulated	46
47	laser. This is the wavelength where the effective optical power resides. See IEC 61280-1-3	47
48	(reference [8]).	48
49		49
50	3.1.14 character: a defined set of n contiguous bits where n is determined by the encoding	50
51	scheme.	51
52		52
53	3.1.15 component: entities that make up the link. Examples are connectors, cable assemblies,	53
	transceivers, port bypass circuits and hubs.	
	3.1.16 connector: electro-mechanical or opto-mechanical components consisting of a receptacle	
	and a plug that provides a separable interface between two transmission media segments.	
	Connectors may introduce physical disturbances to the transmission path due to impedance	
	mismatch, crosstalk, etc. These disturbances may introduce jitter under certain conditions.	

00	3.1.17 delta T, delta R: see δ_T, δ_R (3.1.3).	00
01		01
02	3.1.18 device: see FC device.	02
03	3.1.19 dispersion: a term in this document used to denote pulse broadening and distortion from all	03
04	optical causes. The causes of dispersion in optical transmissions are modal, chromatic and	04
05	polarization mode dispersion. Modal dispersion is caused by the difference in the	05
06	propagation velocity of the guided modes in a multimode fiber. Chromatic dispersion, due to	06
07	the difference in propagation of the various spectral components, of the signal and optical	07
08	source. Polarization mode dispersion is caused by fiber defects, that makes the propagation	08
09	velocity dependent of the light polarization state.	09
10		10
11	3.1.20 external connector: a bulkhead connector, whose purpose is to carry the FC signals into	11
12	and out of an enclosure, that exits the enclosure with only minor compromise to the shield	12
13	effectiveness of the enclosure.	13
14	3.1.21 extinction ratio outer: the ratio of the highest optical power to the lowest optical power in	14
15	the presence of a PAM4 signal (i.e., levels 3 and 0 in Figure 4B, clause 5). See IEEE	15
16	802.3™-2018,(reference [16]), clause 121.8.6.	16
17		17
18	3.1.22 FC-0 level: The level in the Fibre Channel architecture and standards that defines	18
19	transmission media, transmitters and receivers, and their interfaces. See Figure 1 (clause	19
20	4.1) and FC-FS-4 (reference [1]) clause 4.	20
21	3.1.23 FC-1 level: The level in the Fibre Channel architecture and standards that defines the	21
22	transmission protocol that includes the serial encoding, decoding, and error control. See FC-	22
23	FS-4 (reference [1]).	23
24		24
25	3.1.24 FC device: an entity that contains the FC protocol functions and that has one or more of the	25
26	connectors defined in this document. Examples are: host bus adapters, disk drives, and	26
27	switches. Devices may have internal and external connectors.	27
28	3.1.25 FC device connector: a connector defined in this document that carries the FC serial data	28
29	signals into and out of the FC device.	29
30		30
31	3.1.26 fiber optic cable: a jacketed optical fiber or fibers.	31
32	3.1.27 gamma T, gamma R: see γ_T, γ_R (3.1.2).	32
33		33
34	3.1.28 insertion loss: the ratio (expressed in dB) of incident power at one port to transmitted	34
35	power at a different port, when a component or assembly with defined ports is introduced into	35
36	a link or system. May refer to optical power or to electrical power in a specified frequency	36
37	range. Note the dB magnitude of S12 or S21 is the negative of insertion loss in dB.	37
38	3.1.29 interoperability point: points in a link or TxRx connection for which this standard defines	38
39	signal requirements to enable interoperability. This includes both compliance points and	39
40	reference points. See $\alpha_T, \alpha_R, \gamma_T, \gamma_R, \delta_T, \delta_R$.	40
41		41
42	3.1.30 level:	42
43	1. A document artifice, e.g. FC-0, used to group related architectural functions. No specific	43
44	correspondence is intended between levels and actual implementations.	44
45	2. In FC-PI-7 context, a specific value of voltage or optical power (e.g., voltage level).	45
46	3. The type of measurement: level 1 is a measurement intended for compliance, level 2 is a	46
47	measurement intended for characterization/diagnosis.	47
48		48
49	3.1.31 link: A duplex or parallel optics TxRx Connection, using two or more fibers to transport	49
50	optical signals.	50
51	3.1.32 MB/s: an abbreviation for megabytes (10^6 bytes) per second.	51
52		52
53		53

00	3.1.33 OM3: cabled optical fiber containing 50/125 um laser optimized multimode fiber with a	00
01	minimum overfilled launch bandwidth of 1500 MHz-km at 850nm and 500 MHz-km at 1300	01
02	nm as well as an effective laser launch bandwidth of 2000 MHz-km at 850 nm in accordance	02
03	with IEC 60793-2-10 Type A1a.2 fiber. See reference [9] and reference [13].	03
04		04
05	3.1.34 OM4: cabled optical fiber containing 50/125 um laser optimized multimode fiber with a	05
06	minimum overfilled launch bandwidth of 3500 MHz-km at 850 nm and 500 MHz-km at 1300	06
07	nm as well as an effective laser launch bandwidth of 4700 MHz-km at 850 nm in accordance	07
08	with IEC 60793-2-10 Type A1a.3 fiber. See reference [9] and reference [14].	08
09		09
10	3.1.35 OM5: cabled optical fiber containing 50/125 um laser optimized multimode fiber with a	10
11	minimum overfilled launch bandwidth of 3500 MHz-km at 850 nm, 1850 MHz-km at 953 nm	11
12	and 500 MHz-km at 1300 nm as well as an effective laser launch bandwidth of 4700 MHz-km	12
13	at 850 nm and 2470 MHz-km at 953 nm in accordance with IEC 60793-2-10 Type A1a.4	13
14	fiber. See reference [9] and reference [15].	14
15		15
16	3.1.36 optical fiber: any filament or fiber, made of dielectric material, that guides light.	16
17		17
18	3.1.37 optical modulation amplitude, (OMA_{outer}): the difference in optical power between settled	18
19	and averaged values of the highest and the lowest optical levels of a PAM4 signal (i.e., levels	19
20	3 and 0 in Figure 4B, clause 5). OMA is typically expressed in mW or dBm. See IEEE	20
21	802.3™-2018 (reference [16]).	21
22		22
23	3.1.38 optical receiver sensitivity: the minimum acceptable value of received signal at point	23
24	gamma R to achieve a defined level of BER. For 64GFC, this level is for a BER = 1.09x10 ⁻⁴ .	24
25	See also the definitions for stressed receiver sensitivity and unstressed receiver sensitivity.	25
26	See IEEE 802.3™-2018 (reference [16]).	26
27		27
28	3.1.39 optical path penalty: a link optical power penalty to account for signal degradation other	28
29	than attenuation.	29
30		30
31	3.1.40 optical return loss (ORL): see return loss.	31
32		32
33	3.1.41 OS2: cabled optical fiber containing dispersion unshifted, low water peak, single-mode fiber	33
34	in accordance with IEC 60793-2-50 Type B1.3 fiber or bend-insensitive fiber in accordance	34
35	with IEC 60793-2-50 Type B6 fiber specified at 0.4 dB/0.4 dB/0.4 dB at	35
36	1310nm/1383nm/1550nm respectively. See reference [10].	36
37		37
38	3.1.42 pulse amplitude modulation, four levels, PAM4: a modulation scheme where two bits are	38
39	mapped into four signal amplitude levels to enable transmission of two bits per symbol.	39
40		40
41	3.1.43 port (or FC Port): a generic reference to a Fibre Channel Port. In this document, the	41
42	components that together form or contain the following: the FC protocol function with	42
43	elasticity buffers to re-time data to a local clock, the SERDES function, the transmit and	43
44	receive network, and the ability to detect and report errors using the FC protocol.	44
45		45
46	3.1.44 receiver (Rx): an electronic component (Rx) that converts an analog serial input signal	46
47	(optical or electrical) to an electrical (retimed or non-retimed) output signal.	47
48		48
49	3.1.45 receiver device: the device containing the circuitry accepting the signal from the TxRx	49
50	Connection.	50
51		51
52	3.1.46 reclocker: a type of repeater specifically designed to modify data edge timing such that the	52
53	data edges have a defined timing relation with respect to a bit clock recovered from the (FC)	53
	signal at its input.	
	3.1.47 reference points: points in a TxRx Connection that may be described by informative	
	specifications. These specifications establish the base values for the interoperability points.	
	See α_T and α_R .	

00 **3.1.48 reflectance:** the ratio of reflected power to incident power for given conditions of spectral 00
 01 composition, polarization and geometrical distribution. In optics, the reflectance is frequently 01
 02 expressed as "reflectance density" or in percent; in communications applications it is 02
 03 generally expressed as: 03

$$10\log\frac{P_r}{P_i}(dB)$$

04
 05
 06
 07
 08
 09 where P_r is the reflected power and P_i is the incident power. 09
 10

11 **3.1.49 reflections:** power returned by discontinuities in the physical link. 11

12 **3.1.50 repeater:** an active circuit designed to modify the (FC) signals that pass through it by 12
 13 changing any or all of the following parameters of that signal: amplitude, skew rate, and edge 13
 14 to edge timing. Repeaters have jitter transfer characteristics. Types of repeaters include 14
 15 Retimers, Reclockers and amplifiers. 15
 16

17 **3.1.51 retimer (RT):** a type of repeater specifically designed to modify data edge timing such that 17
 18 the output data edges have a defined timing relation with respect to a bit clock derived from a 18
 19 timing reference other than the (FC) data at its input. A retimer shall be capable of inserting 19
 20 and removing words from the (FC) data passing through it. In the context of jitter 20
 21 methodology, a retimer resets the accumulation of jitter such that the output of a retimer has 21
 22 the jitter budget of alpha T. 22

23 **3.1.52 return loss:** the ratio (expressed in dB) of incident power to reflected power at the same 23
 24 port. May refer to optical power or to electrical power in a specified frequency range. Note the 24
 25 dB magnitude of S11 or S22 is the negative of return loss in dB. 25
 26

27 **3.1.53 signal:** the entire voltage or optical power waveforms within a data pattern during 27
 28 transmission. 28

29 **3.1.54 signal level:** the instantaneous magnitude of the signal measured in the units appropriate 29
 30 for the type of transmission used at the point of the measurement. The most common signal 30
 31 level unit for electrical transmissions is voltage while for optical signals the signal level or 31
 32 magnitude is usually given in units of power: dBm or microwatts. 32
 33

34 **3.1.55 side-mode suppression ratio:** ratio of the power in the dominant spectral mode to the 34
 35 power in the strongest side mode. 35

36 **3.1.56 signal tolerance:** the ability of the link downstream from the receive interoperability point (γ_R 36
 37 or δ_R) to recover transmitted bits in an incoming data stream in the presence of a specified 37
 38 signal. Signal tolerance is defined at specified signal amplitude(s). Since detection of bit 38
 39 errors is required to determine the signal tolerance, receivers embedded in an FC Port 39
 40 require that the Port be capable of reporting bit errors. For receivers that are not embedded 40
 41 in an FC Port the bit error detection and reporting may be accomplished by instrumentation 41
 42 attached to the output of the receiver. 42
 43

44 **3.1.57 spectral width (RMS):** the weighted root mean square width of the optical spectrum. See 44
 45 IEC 61280-1-3 (reference [8]). 45
 46

47 **3.1.58 stressed eye closure for PAM4 (SECQ):** SECQ is a measure of the test signal applied to 47
 48 an optical receiver to measure its stressed receiver sensitivity (see clause 5.4.6 and clause 48
 49 5.5.6). 49

50 **3.1.59 stressed receiver sensitivity:** the amplitude of optical modulation in the stressed receiver 50
 51 test at which the receiver supports the BER requirement. 51
 52
 53

- 00 **3.1.60 synchronization:** bit synchronization, defined above, and/or Transmission-Word 00
 01 synchronization, defined in FC-FS-4 (reference [1]). An FC-1 receiver enters the state 01
 02 "Synchronization-Acquired" when it has achieved both kinds of synchronization. 02
 03 03
 04 **3.1.61 transceiver:** a transmitter and receiver combined in one package. 04
 05 **3.1.62 transmission symbol:** a symbol of duration one unit interval that represents one or more 05
 06 logical values.. 06
 07 07
 08 **3.1.63 transmitter (Tx):** a circuit (Tx) that converts a logic signal to a signal suitable for the 08
 09 communications media (optical or electrical). 09
 10 **3.1.64 transmitter device:** the device containing the circuitry on the upstream side of a TxRx 10
 11 connection. 11
 12 12
 13 **3.1.65 transmitter and dispersion eye closure for PAM4 (TDECQ):** TDECQ is a measure of an 13
 14 optical transmitter's vertical eye closure through a real or simulated worst case optical 14
 15 channel (see clause 5.4.5 and clause 5.5.5). 15
 16 **3.1.66 TxRx connection:** the complete signal path between a transmitter in one FC device and a 16
 17 receiver in another FC device. 17
 18 18
 19 **3.1.67 TxRx connection segment:** that portion of a TxRx connection delimited by separable 19
 20 connectors or changes in media. 20
 21 **3.1.68 unit interval (UI):** the nominal duration of a single transmission symbol. 21
 22 22
 23 **3.1.69 unstressed receiver sensitivity:** the amplitude of optical modulation in the unstressed 23
 24 receiver test at which the receiver supports the BER requirement. 24
 25 25

26 3.2 Editorial conventions 26

27 3.2.1 Conventions 27

28 In this standard, a number of conditions, mechanisms, parameters, states, or similar terms are print- 28
 29 ed with the first letter of each word in upper-case and the rest lower-case (e.g., TxRx connection). 29
 30 Any lower-case uses of these words have the normal technical English meanings. 30
 31 31
 32 32

33 Numbered items in this standard do not represent any priority. Any priority is explicitly indicated. 33
 34 34

35 In case of any conflict between figure, table, and text, the text takes precedence. Exceptions to this 35
 36 convention are indicated in the appropriate sections. 36

37 In the figures, tables, and text of this document, the most significant bit of a binary quantity is shown 37
 38 on the left side. Exceptions to this convention are indicated in the appropriate sections. 38
 39 39

40 The ISO convention of numbering is used, i.e. the ten-thousands and higher multiples are separated 40
 41 by a space. A period is used as the decimal demarcation. A comparison of the American and ISO 41
 42 conventions are shown below: 42

43 **Table 1 – ISO convention 43**

Alternative ISO	ISO as used in this document	American
2 048	2 048	2048
10 000	10 000	10,000
1 323 462,9	1 323 462.9	1,323,462.9

00	3.2.2 Keywords	00
01		01
02	3.2.2.1 invalid: Used to describe an illegal or unsupported bit, byte, word, field or code value.	02
03	Receipt of an invalid bit, byte, word, field or code value shall be reported as an error.	03
04	3.2.2.2 ignored: Used to describe a bit, byte, word, field or code value that shall not be examined	04
05	by the receiving port. The bit, byte, word, field or code value has no meaning in the specified	05
06	context.	06
07		07
08	3.2.2.3 mandatory: A keyword indicating an item that is required to be implemented as defined in	08
09	this standard.	09
10	3.2.2.4 may: A keyword that indicates flexibility of choice with no implied preference (equivalent to	10
11	“may or may not”).	11
12		12
13	3.2.2.5 NA: A keyword indicating that this field is not applicable.	13
14		14
15	3.2.2.6 obsolete: A keyword indicating that an item was defined in a prior Fibre Channel standard	15
16	but has been removed from this standard.	16
17		17
18	3.2.2.7 optional: Characteristics that are not required by FC-PI-7. However, if any optional	18
19	characteristic is implemented, it shall be implemented as defined in FC-PI-7.	19
20		20
21	3.2.2.8 reserved: A keyword referring to bits, bytes, words, fields, contacts and code values that	21
22	are set aside for future standardization.	22
23		23
24	3.2.2.9 shall: A keyword indicating a mandatory requirement. Designers are required to implement	24
25	all such mandatory requirements to ensure interoperability with other products that conform	25
26	to this standard.	26
27		27
28	3.2.2.10 should: A keyword indicating flexibility of choice with a strongly preferred alternative;	28
29	equivalent to the phrase “it is strongly recommended”.	29
30		30
31	3.2.2.11 should not: A keyword indicating flexibility of choice with a strongly preferred alternative;	31
32	equivalent to the phrase “it is strongly recommended not to”.	32
33		33
34	3.2.2.12 vendor specific: Functions, code values, and bits not defined by this standard and set	34
35	aside for private usage between parties using this standard.	35
36		36
37		37
38		38
39		39
40		40
41		41
42		42
43		43
44		44
45		45
46		46
47		47
48		48
49		49
50		50
51		51
52		52
53		53

3.2.3 Abbreviations, acronyms, and symbols

Abbreviations, acronyms and symbols applicable to this standard are listed in Table 2. Definitions of several of these items are included in subclause 3.1.

3.2.3.1 Acronyms and other abbreviations

Table 2 – Acronyms and other abbreviations

Bd	baud
BER	Bit Error Ratio
dB	Decibel
dBm	Decibel (relative to 1 mW)
DUT	Device Under Test
EIA	Electronic Industries Association
EMC	Electromagnetic Compatibility
EMI	Electromagnetic interference
FC	Fibre Channel
FEC	Forward Error Correction
FFE	Feed Forward Equalizer
GBd	Gigabaud
hex	Hexadecimal notation
IEEE	Institute of Electrical and Electronics Engineers
ITU-T	International Telecommunication Union - Telecommunication Standardization (formerly CCITT)
LOS	Loss Of Signal
LW	Long Wavelength
MB	Megabyte = 10 ⁶ bytes
MBd	Megabaud
MM	Multimode
NA	Not Applicable
NEXT	Near-End Crosstalk
O/E	Optical to electrical conversion
OMA	Optical Modulation Amplitude
PAM4	Pulse Amplitude Modulation, four levels
PMD	Physical Medium Dependent
ppm	Parts per million
RJ	Random Jitter
RLM	Level separation mismatch ratio
RMS	Root mean square
RN	Relative Noise
Rx	Receiver
SECQ	Stressed eye closure for PAM4 signals
SER	Symbol Error Ratio
SERDES	Serializer/Deserializer
SM	Single-Mode
SNDR	Signal-to-Noise and Distortion Ratio
S/N(SNR)	Signal-to-Noise Ratio
SW	Short Wavelength
TDECQ	Transmitter and dispersion eye closure for PAM4
TIA	Telecommunication Industry Association
TJ	Total Jitter
Tx	Transmitter
TxRx	A combination of transmitter and receiver
VEC	Vertical Eye Closure
UI	Unit Interval = 1 symbol period

3.2.3.2 Signaling rate abbreviations

Abbreviations for the signaling rates are frequently used in this document. Table 3 shows the abbreviations that are used and the corresponding signaling rates.

Table 3 – Signaling rate abbreviations

Abbreviation	Signaling rate	Number of Lanes	Data rate
1GFC	1 062.5 MBd	1	100 MB/s
2GFC	2 125 MBd	1	200 MB/s
4GFC	4 250 MBd	1	400 MB/s
8GFC	8 500 MBd	1	800 MB/s
16GFC	14 025 MBd	1	1 600 MB/s
32GFC	28 050 MBd	1	3 200 MB/s
64GFC	28 900 MBd	1	6 400 MB/s
128GFC	112 200 MBd	4	12 800 MB/s
256GFC	115 600 MBd	4	25 600 MB/s

00 **4 FC-PI-7 functional characteristics** 00

01 **4.1 General characteristics** 01

02 Fibre Channel is structured as a set of hierarchical functions as illustrated in Figure 1. The FC-PI-x 02
03 standards define the physical link, the lowest level denoted FC-0, in the Fibre Channel system. The 03
04 physical layer interface is designed for flexibility and allows the use of several physical interconnect 04
05 technologies to meet a wide variety of system application requirements. 05
06 06
07 07

08 The FC-FS-x standards define the signaling protocol and services at the next higher levels. Trans- 08
09 mission codes and Forward Error Correction (FEC), where applicable, are defined in the FC-FS-x 09
10 standards. Reed Solomon (544,514) Forward Error Correction (FEC) is required to achieve the 10
11 64GFC link BER objectives. It is expected that the link BER after correction will be better than 10^{-15} . 11
12 12

13 FC-PI-7 describes the physical link for single data streams supporting a signaling rate of 64GFC. The 13
14 64GFC variants include 64GFC-SW for MM variant, 64GFC-LW for SM variant and 64GFC-EA for 14
15 backplane variant. It is the responsibility of the component suppliers and the system integrator to en- 15
16 sure that this level of service is provided at every port in a given Fibre Channel installation. FC-PI-7 16
17 defines optical and electrical interoperability points at specific physical locations in the FC system. No 17
18 interoperability points are required for closed or integrated links and FC-PI-7 is not required for such 18
19 applications. For closed or integrated links the system designer shall ensure that a BER as observed 19
20 prior to error correction is better than the values specified in FC-PI-7. The BER for the electrical and 20
21 optical sections of a FC-PI-7 link shall meet requirements shown in subclause 4.11. 21
22 22

23 **4.2 Compliance test points** 23

24 The requirements specified in FC-PI-7 shall be satisfied at separable connectors where 24
25 interoperability and component level interchangeability within the link are expected. A compliance 25
26 point is a physical position where the specification requirements are defined and can be measured. 26
27 The compliance points are defined at separable connectors, since these are the points where 27
28 different components can easily be added, changed, or removed. The description and physical 28
29 location of the specified interoperability points are detailed in clause 5.13 of FC-PI-5 (reference [5]). 29
30 All specifications are at the interoperability points in a fully assembled system as if measured with a 30
31 non-invasive probe except where otherwise described. Figure 2 shows the compliance points for 31
32 64GFC multimode and single-mode variants. 32
33 33

34 It is the responsibility of the component (the separable hardware containing the connector portion as- 34
35 sociated with an interoperability point) supplier and the system integrator to ensure that intended in- 35
36 teroperability points are identified to the users of the components and system. This is required 36
37 because not all connectors in a link are interoperability points and similar connectors and connector 37
38 positions in different applications may not satisfy the FC-PI-7 requirements. 38
39 39

40 The signal and return loss requirements in this document apply under specified test conditions that 40
41 simulate some parts of the conditions existing in service. This simulation includes, for example, 41
42 duplex traffic on all Ports and under all applicable environmental conditions. Effects caused by other 42
43 features existing in service such as non-ideal return loss in parts of the link that are not present when 43
44 measuring signals in the specified test conditions are included in the specifications themselves. This 44
45 methodology is required to give each side of the interoperability point requirements that do not 45
46 depend on knowing the properties of the other side. In addition, it allows measurements to be 46
47 performed under conditions that are accessible with practical instruments and that are transportable 47
48 between measurement sites. 48
49 49
50 50
51 51
52 52
53 53

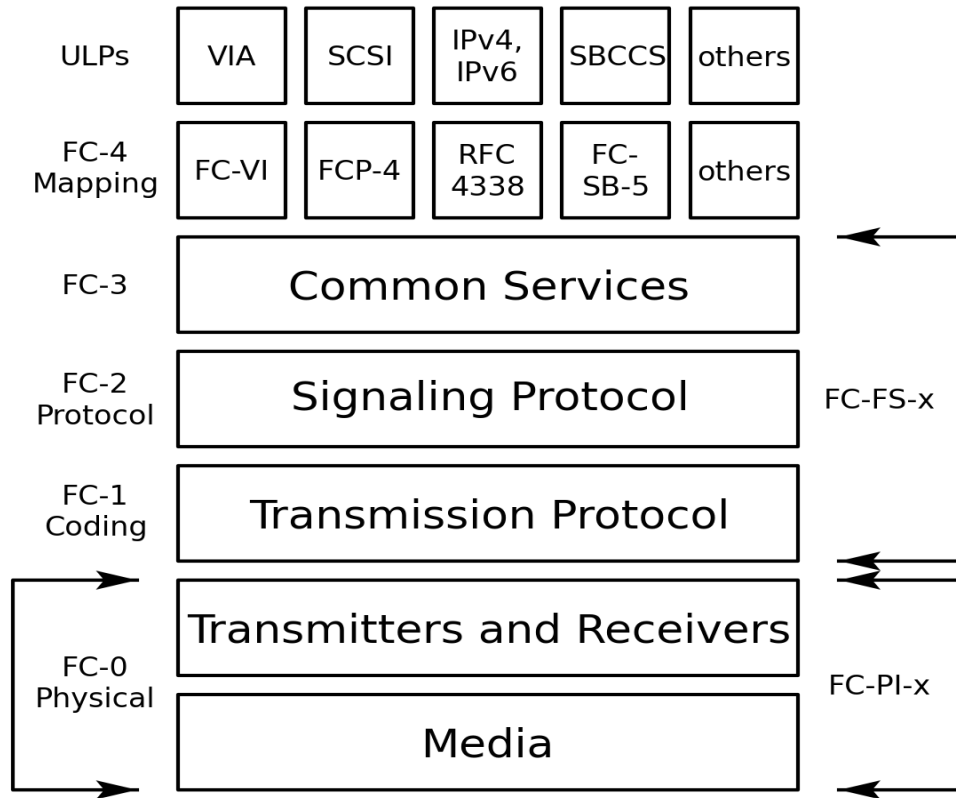


Figure 1 – Fibre Channel hierarchy

Measuring signals in an actual functioning system at an interoperability point does not verify compliance for the components on either side of the interoperability point although it does verify that the specific combination of components in the system at the time of the measurement produces compliant signals. Interaction between components on either side of the interoperability point may allow the signal measured to be compliant but this compliance may have resulted because one component is out of specification while the other is better than required.

The interface to FC-FS-4 and FC-FS-5 occur at the logical encoded data interfaces. As these are logical data constructs, no physical implementation is implied by FC-FS-4 and FC-FS-5. FC-PI-7 is written assuming that the same single serial data stream exists throughout the link as viewed from the interoperability points. Other possible schemes for transmitting data, for example using parallel paths, are not defined in FC-PI-7 but could occur at intermediate places between interoperability points.

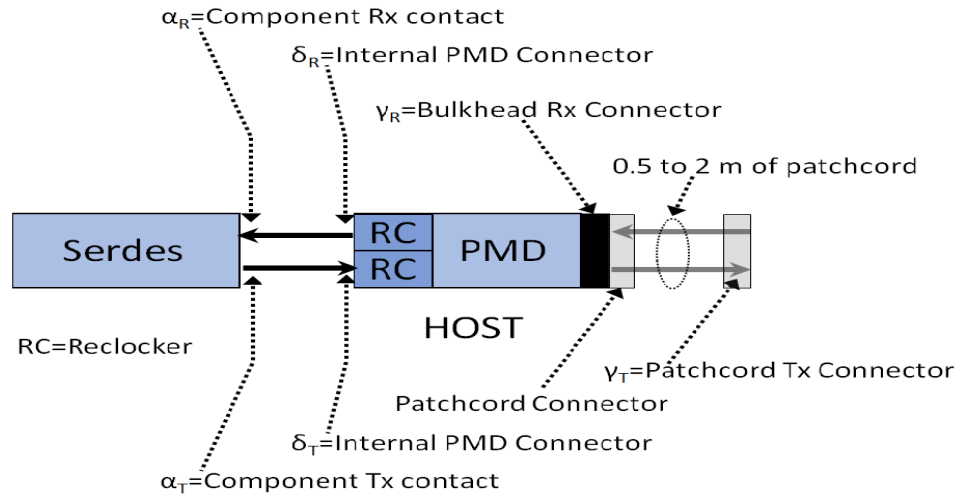


Figure 2 – Compliance points for 64GFC PMDs

Physical links have the following general requirements:

- a) Physical point-to-point data links.
- b) Signal requirements shall be met under the most extreme specified conditions of system noise and with the minimum compliant quality signal launched at upstream interoperability points.
- c) All users are cautioned that detailed specifications shall take into account end-of-life worst case values (e.g., manufacturing, temperature, power supply).

The interface between FC-PI-7 and protocols defined in FC-FS-4 and FC-FS-5 are intentionally structured to be technology and implementation independent. That is, the same set of commands and services may be used for all signal sources and communication schemes applicable to the technology of a particular implementation. As a result of this, all safety or other operational considerations that may be required for a specific communications technology are to be handled by the FC-PI-7 clauses associated with that technology. An example of this would be ensuring that optical power levels associated with eye safety are maintained.

4.3 FC-0 functions

4.3.1 Transmitter functions

The transmitter function is to convert the signal received from the FC-1 level into the proper signal for the transmission media.

4.3.2 Receiver functions

The function of the receiver is to recover and retime the incoming signal from the transmission media, convert into the proper signal for the FC-1 level and present the signal to the FC-1 level.

00 4.4 Limitations on invalid code 00

01 FC-0 does not detect transmit code violations, invalid ordered sets, or any other alterations of the en- 01
 02 coded bit stream. However, it is recognized that individual implementations may wish to transmit 02
 03 such invalid bit streams to provide diagnostic capability at the higher levels. Any transmission viola- 03
 04 tion, such as invalid ordered sets, that follow valid character encoding rules shall be transparent to 04
 05 FC-0. Invalid character encoding could possibly cause a degradation in receiver sensitivity and in- 05
 06 creased jitter resulting in increased BER or loss of bit synchronization. 06
 07 07

08 4.5 Receiver stabilization time 08

09 The time interval required by the receiver from the initial receipt of a valid input to the time that the re- 09
 10 ceiver is synchronized to the bit stream and delivering valid retimed data within the BER requirement, 10
 11 shall not exceed 20 ms. Should the retiming function be implemented in a manner that requires direc- 11
 12 tion from a higher level to start the initialization process, the time interval shall start at the receipt of 12
 13 the initialization request. 13
 14 14

15 4.6 Loss of signal (Rx_LOS) function 15

16 The FC-0 may optionally have a loss of signal function. If implemented, this function shall indicate 16
 17 when a signal is absent at the input to the receiver. The activation level shall lie in a range whose up- 17
 18 per bound is the minimum specified sensitivity of the receiver and whose lower bound is defined by a 18
 19 complete removal of the input connector. While there is no defined hysteresis for this function there 19
 20 shall be a single transition between output logic functions for any monotonic increase or decrease in 20
 21 the input signal power occurring within the reaction time of the signal detect circuitry. 21
 22 22
 23 23
 24 24

25 4.7 Speed agile ports that support speed negotiation and training 25

26 This subclause specifies the requirements on speed agile ports that support speed negotiation. 26
 27 27

- 28 a) The transmitter or the repeater shall be capable of switching from compliant operation at one 28
 29 speed to compliant operation at a new speed within the time periods determined in clause 8 of 29
 30 FC-FS-5 (reference [2]). The FC-1 level shall attain Transmission_Word synchronization within 30
 31 the receiver stabilization time (subclause 4.5) when presented with a valid input stream or from 31
 32 the time the algorithm asks for a receiver speed change if the input stream is at the new receive 32
 33 rate set by the port implementing the algorithm 33
 34 34
- 35 b) The transmitter and receiver shall be capable of operating at different speeds at the same time 35
 36 during speed negotiation. 36
 37 37
- 38 c) The transmit training signal used for speed negotiation for 64GFC is defined in FC-FS-5 (refer- 38
 39 ence [2]). 39
 40 40

41 4.8 Transmission codes 41

42 64GFC variants rely on the implementation of FEC, transcoding, and scrambling as defined in FC- 42
 43 FS-5 (reference [2]). The actual FEC, transcoding, and scrambling hardware is at the FC-1 layer and 43
 44 is not defined in FC-PI-7. 44
 45 45

46 4.9 Frame scrambling and emission lowering protocol 46

47 64GFC variants use coding and scrambling that is inherent in the code as defined in FC-FS-5 (refer- 47
 48 ence [2]). 48
 49 49
 50 50

51
 52
 53

4.10 Forward error correction (FEC)

64GFC variants rely on the implementation of FEC as defined in FC-FS-5 (reference [2]) The actual FEC hardware is at the FC-1 layer and is not defined in FC-PI-7.

4.11 Bit error ratio per link locations and segments

FC links may be divided in optical and electrical segments as illustrated in Figure 3. The value of the maximum BER at those locations shall meet the specified limits defined in Table 4.

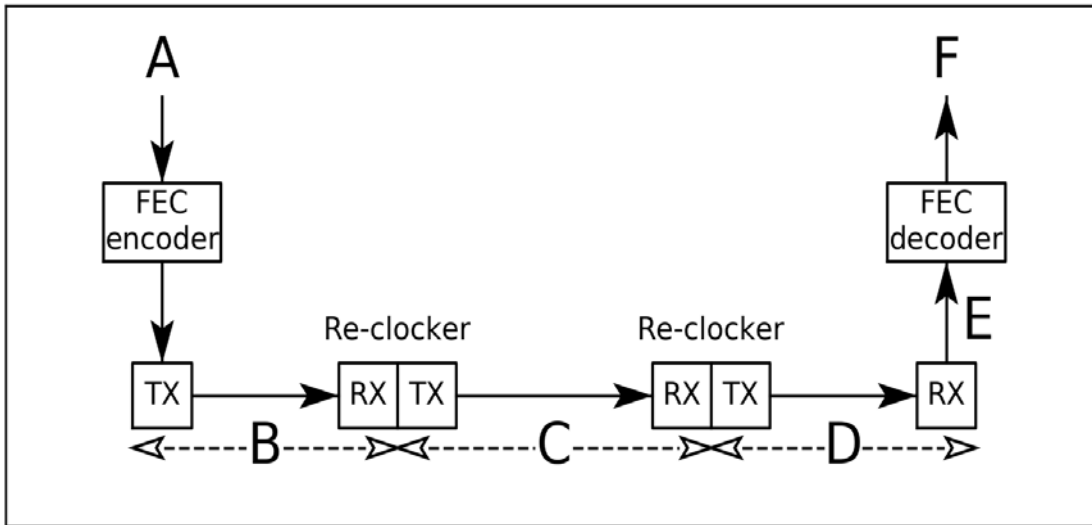


Figure 3 – BER per Section

Table 4 – BER per link Location / Segment

Location / Segment	Description	BER Segment	BER Cumulative
A	Initial Signal	0	0
B	Host Tx to Module electrical link	1.09×10^{-5}	
C	Optical Link	1.09×10^{-4}	
D	Module to Host Rx electrical link	1.09×10^{-5}	
E	Cumulative uncorrected BER for A-E		1.31×10^{-4}
F	Final FEC BER for A-F		1.0×10^{-15}

Notes:

- 1 Location / Segments refer to Figure 3.
- 2 For segment A-D the BER limits are defined prior FEC.
- 3 Cumulative uncorrected BER prior FEC is shown in location E.
- 4 This assumes the optical link has an error propagation probability of 0.1 and the electrical links both have an error propagation probability of 0.5.
- 5 BER limits in segments A to D ensure final BER at location F.

4.12 FC-PI-7 variants

Table 5 lists the FC-PI-7 variants, their nomenclature, a reference to the clause containing the detailed requirements, and some key parameters that characterize them. The lengths specified in Table 5 are the minimum ranges supported with transmitters, media, and receivers all simultaneously operating under the most degraded conditions allowed.

SM OS2	64GFC-LW 1 300 nm 0.5 m-10 km sub-clause 5.4
MM 50 μm OM3	64GFC-SW 850 nm 0.5 m-70 m sub-clause 5.5
MM 50 μm OM4, OM5	64GFC-SW 850 nm 0.5 m-100 m sub-clause 5.5
Backplane	64GFC-EA clause 7

Table 5 – Fibre Channel Variants in FC-PI-7

5 Optical interface specification

5.1 TxRx connections

Clause 5 defines the optical signal characteristics at the external enclosure connector. Each conforming optical FC port shall comply with the requirements specified in clause 5 and other applicable clauses. Fibre Channel 64GFC optical links require forward error correction (FEC) to achieve link BER objectives. Fibre Channel 64GFC optical links shall not exceed an uncorrected BER of 1.09×10^{-4} under any compliant conditions. The parameters specified in this clause support meeting that requirement.

A link, or TxRx connection, may be divided into TxRx connection segments; see Figure 10 in FC-PI-5 (reference [5]). In a single TxRx connection individual TxRx connection segments may be formed from differing media and materials, including traces on printed wiring boards and optical fibers. This clause applies only to TxRx connection segments that are formed from optical fiber.

If electrically conducting TxRx connection segments are required to implement these optical variants, they shall meet the specifications of the appropriate electrical segment defined in clause 6.

5.2 Laser safety issues

The optical output of the laser transceiver shall not exceed Class 1 maximum permissible exposure limits under any condition of operation per IEC 60825-1 (reference [11]), and the optical output for the fiber optic system shall not exceed Hazard 1M maximum permissible exposure limits under any condition of operation per IEC 60825-2 (reference [12]).

5.3 Optical signal modulation format

A four level pulse amplitude modulation (PAM4) is the modulation format utilized in all the optical variants defined in FC-PI-7. To generate a PAM4 signal, two logical bits are mapped to a Gray-coded symbol described in IEEE 802.3™-2018, (reference [16]) and FC-FS-5 (reference [2]). A non-corrupted PAM4 signal is depicted in Figure 4A. The PAM4 levels 0 and 3 represent the lowest and maximum steady state optical power. Additionally, the levels 0 and 3 can represent the most negative or most positive voltage when evaluated after the O/E conversion.

PAM4 signal generates three eye diagrams: top, middle and bottom, as shown in Figure 4B. These eyes can present different height and width. Moreover, signals produced by direct modulated lasers can produce eye skew, which penalize the optimum sampling of the signals.

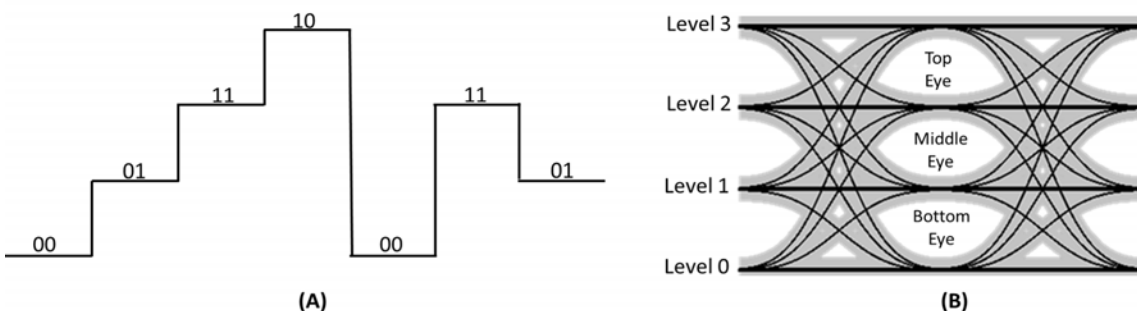


Figure 4 – Optical Eye Diagram of a PAM4 Signal

00 5.4 SM data links 00

01

02 5.4.1 SM general information 02

03

04

05

06

07

08

09

10

11

12

13

14

15

16

17

18

19

20

21

22

23

24

25

26

27

28

29

30

31

32

33

34

35

36

37

38

39

40

41

42

43

44

45

46

47

48

49

50

51

52

53

5.4 SM data links

5.4.1 SM general information

Operating distance and gamma compliance specifications for 64GFC-LW are defined in Table 6. The 64GFC-LW transmitter and the 64GFC-LW receiver shall meet the gamma T and gamma R specifications, respectively.

5.4.2 SM optical output interface

The optical transmit signal is defined at the output end of a patch cord between one half and two meters in length.

5.4.3 SM optical input interface

The receiver shall operate within the uncorrected BER requirement of 1.09×10^{-4} for an input signal that meets the stressed receiver sensitivity OMA_{outer} and conditions shown in Table 6.

5.4.4 Transmitter transition time

Transmitter transition time is the slower of the time interval of the transition from 20% of OMA_{outer} to 80% of OMA_{outer} , or from 80% of OMA_{outer} to 20% of OMA_{outer} for the rising and falling edges respectively, as measured through and optical to electrical converter (O/E) and oscilloscope with a combined frequency response of a fourth-order Bessel-Thomson filter response with a bandwidth of approximately 13.28125 GHz. Compensation may be made for any deviation from an ideal fourth-order Bessel-Thomson filter.

The 0% level and the 100% level are P_0 and P_3 as defined by the OMA_{outer} measurement procedure in IEEE 802.3™-2018, (reference [16]) clause 121.8.4, with the exception that the square pattern is used.

5.4.5 TDECQ Test

TDECQ is a measure of the optical transmitter's vertical eye closure for PAM4 signals as measured through a worst case optical channel and O/E converter with a bandwidth equivalent to the reference receiver. TDECQ uses a 5 tap, T-spaced feed forward equalizer, where T is the symbol period. The sum of the equalizer tap coefficients is equal to 1. The main (largest) tap is one of the least three delayed taps and is constrained to be at least 0.8.

TDECQ shall be within the limits given in Table 6 if measured using the methods specified in IEEE 802.3cd, (reference [18]) subclause 139.7.5, with the following exceptions:

- The combination of the O/E and the oscilloscope used to measure the optical waveform has a fourth-order Bessel-Thomson filter response with a bandwidth of 14.45 GHz.
- In calculating TDECQ, the target SER is 2.18×10^{-4} .
- The value of Q_t used in equation 121-12 for 64GFC is 3.623.

5.4.6 SECQ Measurement

SECQ is a measure of the optical eye closure of a test PAM4 signal applied to an optical receiver to measure its stressed receiver sensitivity. SECQ measurement is identical to TDECQ (see subclause 5.4.5) except that the optical test fiber is not used.

5.4.7 SRS Test

Stressed receiver sensitivity shall be within the limits given in Table 6 if measured using the method defined in IEEE 802.3cd, (reference [18]) subclause 139.7.10, with the conformance test signal at γ_R as described in Table 6.

Table 6 – Single-mode link parameters (OS2)

Single-mode link parameters		Unit	64GFC-LW	Note
Nominal signaling rate		MBd	28 900	1
Operating distance		m	0.5 -10 000	2,3
Modulation Format			PAM4	
Transmitter (gamma-T)				
Center wavelength, max.		nm	1317.5	
Center wavelength, min.		nm	1304.5	
Side-mode suppression ratio, min.		dB	30	
TDECQ, max.		dB	4	4
TDECQ-10log10(Ceq), max.		dB	4	5
Optical modulation amplitude outer, max.		dBm	4	6
Optical modulation amplitude outer, min.		dBm	-1.5	6,7
OMA _{outer} extinction ratio, min.		dB	3.5	8
Launched power in OMA _{outer} minus TDECQ, min.		dBm	-2.9	
Average launched power, max.		dBm	4.2	9
Average launched power, min.		dBm	-4.5	10
Average launched power of OFF transmitter, max.		dBm	-16	
RIN _{15,6} OMA, max.		dB/Hz	-134	11
Transition time 20%-80%, max.		ps	34	
Optical return loss tolerance, max.		dB	15.6	
Transmitter reflectance, max.		dB	-26	
Receiver (gamma- R)				
Damage threshold (min)		dBm	5.2	12
Average received power, max.		dBm	4.2	
Average received power, min.		dBm	-10.8	
Receive power, in OMA _{outer} , max.		dBm	4	
Receiver reflectance, max.		dB	-26	
Receiver sensitivity in OMA _{outer} , max.		dBm	-8.9	13
Stressed receiver sensitivity, OMA _{outer}		dBm	-5.8	
Conditions of stressed receiver sensitivity test				14
Stressed eye closure (SECQ)		dB	4	
SECQ-10log10(Ceq), max.		dB	4	

Table 6 – Single-mode link parameters (OS2)

Notes:	
1	The signaling rate shall not deviate by more than ± 100 ppm from the nominal data rate over all periods equal to 200 000 transmitted bits (~10 max length frames).
2	The operating range shown here is based on 1310nm OS2 fiber and a 2.0 dB total connector loss.
3	See Table 19 in Annex B for operating ranges using connector loss values different than 2.0 dB.
4	Transmitter and Dispersion Eye Closure for PAM4 signals, TDECQ, see IEEE 802.3cd (reference [18]). For FC-PI-7, TDECQ, must be computed using a SER of 2.18×10^{-4} .
5	Ceq is a coefficient defined in IEEE 802.3™-2018, (reference [16]) sub clause 121.8.5.3, which accounts for the reference equalizer noise enhancement
6	For definition of OMA_{outer} , see IEEE 802.3™-2018, (reference [16]).
7	Even if TDECQ < 1.4 dB, the OMA_{outer} must exceed this value.
8	For definition of OMA_{outer} extinction ratio see IEEE 802.3™-2018, (reference [16]).
9	Defined by average received power, max.
10	The value is calculated using an infinite extinction ratio at the lowest allowed transmit OMA_{outer} . A launched power below this value cannot be compliant; however, a value above this does not ensure inter-operation with compliant receivers.
11	RIN shall be measured according to the conditions described in IEEE 802.3cd (reference [18]) clause 139, with the exception that the nominal signaling rate is as described in this table.
12	The receivers should be able to tolerate, without damage, continuous exposure to an optical input signal having this average power level. The receiver does not have to operate correctly at this received power.
13	Receiver sensitivity, OMA_{outer} , is defined for SECQ= 0.9 dB and is only an informative parameter.
14	These test conditions are for measuring stressed receiver sensitivity. They are not characteristics of the receiver.

5.5 MM data links

5.5.1 MM general information

Operating distance and gamma compliance specifications for 64GFC-SW are defined in Table 7. The 64GFC-SW transmitter and the 64GFC-SW receiver shall meet the gamma T and gamma R specifications, respectively.

5.5.2 MM optical output interface

The optical transmit signal is defined at the output end of a patch cord between one half and two meters in length.

5.5.3 MM optical input interface

The receiver shall operate within the uncorrected BER requirement of 1.09×10^{-4} for an input signal that meets the stressed receiver sensitivity OMA_{outer} and conditions shown in Table 7.

5.5.4 Transmitter transition time

Transmitter transition time is the slower of the time interval of the transition from 20% of OMA_{outer} to 80% of OMA_{outer} , or from 80% of OMA_{outer} to 20% of OMA_{outer} for the rising and falling edges respectively, as measured through and optical to electrical converter (O/E) and oscilloscope with a combined frequency response of a fourth-order Bessel-Thomson filter response with a bandwidth of approximately 13.28125 GHz. Compensation may be made for any deviation from an ideal fourth-order Bessel-Thomson filter.

The 0% level and the 100% level are P_0 and P_3 as defined by the OMA_{outer} measurement procedure in IEEE 802.3™-2018, (reference [16]) clause 121.8.4, with the exception that the square pattern is used.

00 **5.5.5 TDECQ Test** 00

01 TDECQ is a measure of the optical transmitter's vertical eye closure for PAM4 signals as measured 01
 02 through an O/E converter with a bandwidth equivalent to the combined reference receiver and worst 02
 03 case optical channel. TDECQ uses a 5 tap, T-spaced feed forward equalizer, where T is the symbol 03
 04 period. The sum of the equalizer tap coefficients is equal to 1. The main (largest) tap is one of the 04
 05 least three delayed taps and is constrained to be at least 0.8. 05
 06 06

07 TDECQ shall be within the limits given in Table 7 if measured using the methods specified in IEEE 07
 08 802.3™-2018, (reference [16]) subclause 121.8.5, with the following exceptions: 08

- 09 • The polarization rotator and test fiber shown in Figure 121–4 are not used 09
- 10 • The optical channel requirements in 121.8.5.2 do not apply 10
- 11 • The combination of the O/E and the oscilloscope used to measure the optical waveform has a 11
 12 fourth-order Bessel-Thomson filter response with a bandwidth of 11.2 GHz. 12
- 13 • In calculating TDECQ, the target SER is 2.18×10^{-4} . 13
- 14 • The value of Q_t used in equation 121-12 for 64GFC is 3.623. 14
- 15 • Pth1, Pth2, and Pth3 are varied from their nominal values by up to $\pm 1\%$ of OMA_{outer} in order to 15
 16 optimize TDECQ. The same three thresholds are used for both the left and the right histogram. 16
 17 17

18 **5.5.6 SECQ Measurement** 18

19 SECQ is a measure of the optical eye closure of a test PAM4 signal applied to an optical receiver to 19
 20 measure its stressed receiver sensitivity. SECQ measurement is identical to TDECQ (see subclause 20
 21 5.5.5) except that the combination of the O/E and the oscilloscope used to measure the optical wave- 21
 22 form has a fourth-order Bessel-Thomson filter response with a bandwidth of 14.45 GHz. 22
 23 23
 24 24

25 **5.5.7 SRS Test** 25

26 Stressed receiver sensitivity shall be within the limits given in Table 7 if measured using the method 26
 27 defined in IEEE 802.3cd (reference [18]) subclause 138.8.10, with the conformance test signal at γ_R 27
 28 as described in Table 7. 28
 29 29
 30 30
 31 31
 32 32
 33 33
 34 34
 35 35
 36 36
 37 37
 38 38
 39 39
 40 40
 41 41
 42 42
 43 43
 44 44
 45 45
 46 46
 47 47
 48 48
 49 49
 50 50
 51 51
 52 52
 53 53

Table 7 – Multimode link parameters

Multimode link parameters		Unit	64GFC-SW	Note
Nominal signaling rate		MBd	28 900	1
Operating distance (OM3)		m	0.5 - 70	2,3
Operating distance (OM4 / OM5)		m	0.5 - 100	
Modulation Format			PAM4	
Transmitter (gamma-T)				
Center wavelength, min.		nm	840	
Center wavelength, max.		nm	860	
RMS spectral width, max.		nm	0.6	
TDECQ , max.		dB	5.5	4
TDECQ-10log10(Ceq), max.		dB	5.5	5
OMA _{outer} , max.		dBm	3	6
OMA _{outer} , min.		dBm	-4.5	6,7
OMA _{outer} extinction ratio, min.		dB	3	8
Launched power in OMA _{outer} minus TDECQ (min)		dBm	-5.9	
Average launched power, max.		dBm	4	9
Average launched power, min.		dBm	-7.5	10
RIN ₁₂ OMA, max		dB/Hz	-128	11
Transition Time 20%-80%, max.		ps	34	
Encircled flux			≥86% at 19 μm ≤30% at 4.5 μm	3
Receiver (gamma- R)				
Damage Threshold, min.		dBm	5	12
Average received power, max.		dBm	4	
Average received power, min.		dBm	-9.4	
Receive power (OMA _{outer}), max.		dBm	3	
Return Loss of Receiver, min.		dB	12	
Receiver sensitivity, OMA _{outer} , max.		dBm	-7	13
Stressed receiver sensitivity, OMA _{outer} , max.		dBm	-2.4	
Conditions of stressed receiver sensitivity test				14
Stressed eye closure (SECQ)		dB	5.5	
SECQ-10log10(Ceq), max.		dB	5.5	

Table 7 – Multimode link parameters**Notes:**

- 1 The signaling rate shall not deviate by more than ± 100 ppm from the nominal signaling rate over all periods equal to 200 000 transmitted bits (~10 max length frames).
- 2 The operating range shown here is based on 850nm MM fiber bandwidths given in Table 17 in Annex A and a 1.5 dB total connector loss.
- 3 Encircled flux specifications are in accordance with reference standards in Table 17 Footnotes 4 and 5 in Annex A.
- 4 Transmitter and Dispersion Eye Closure for PAM4 signals, TDECQ, see IEEE 802.3cd (reference [18]). For FC-PI-7, TDECQ, must be computed using a SER of 2.18×10^{-4} .
- 5 C_{eq} is a coefficient defined in IEEE 802.3™-2018, (reference [16]) sub clause 121.8.5.3, which accounts for the reference equalizer noise enhancement
- 6 For definition of OMA_{outer} see IEEE 802.3™-2018 (reference [16]).
- 7 Even if $TDECQ < 1.4$ dB OMA_{outer} must exceed this value.
- 8 For definition of OMA_{outer} extinction ratio see IEEE 802.3™-2018 (reference [16]).
- 9 Defined by average received power, max.
- 10 The value is calculated using an infinite extinction ratio at the lowest allowed transmit OMA_{outer} . A launched power below this value cannot be compliant; however, a value above this does not ensure inter-operation with compliant receivers.
- 11 RIN_{12} OMA should be measured according to the conditions described in IEEE 802.3cd (reference [18]) clause 138, with the exception that the nominal signaling rate is as described in this table.
- 12 The receivers should be able to tolerate, without damage, continuous exposure to an optical input signal having this average power level. The receiver does not have to operate correctly at this received power.
- 13 Receiver sensitivity, OMA_{outer} , is defined for SECQ= 0.9 dB and is only an informative parameter.
- 14 These test conditions are for measuring stressed receiver sensitivity. They are not characteristics of the receiver.

5.6 SM Cable Plant**5.6.1 Cable plant overview**

The maximum link distances for single-mode fiber cable plant are calculated based on an allocation of 2.0 dB total connection and splice loss. For example, this allocation supports four connections with typical insertion loss equal to 0.5 dB (or less) per connection.

5.6.2 Optical Return Loss

The maximum value for each discrete connector and splice reflectance shall be less than or equal to the value shown in Table 8 corresponding to the number of discrete reflectances above -55 dB within the channel. For numbers of discrete reflectances in between two numbers shown in the table, the lower of the two corresponding maximum discrete reflectance values applies.

Table 8 – Maximum value of each discrete reflectance

Number of discrete reflectances above -55 dB	Maximum value for each discrete reflectance in (dB)
1	-22
2	-29
4	-33
6	-35
8	-37
10	-39

00
01
02
03
04
05
06
07
08
09
10
11
12
13
14
15
16
17
18
19
20
21
22
23
24
25
26
27
28
29
30
31
32
33
34
35
36
37
38
39
40
41
42
43
44
45
46
47
48
49
50
51
52
53

5.6.3 Connector and Splices

Connectors and splices are allowed inside the cable plant as long as the resulting loss conforms to the optical budget of this standard. The number and quality of connectors and splices represent a design trade-off. The loss of any single connection shall not exceed 0.75 dB. See Annex B for total connector losses different than 2.0 dB.

5.7 MM Cable Plant

5.7.1 Cable plant overview

The maximum link distances for multimode fiber are calculated based on an allocation of 1.5 dB total connection and splice loss. For example, this allocation supports three connections with typical insertion loss equal to 0.5 dB (or less) per connection, or two connections with insertion loss of 0.75 dB.

5.7.2 Optical Return Loss

Connectors and splices shall each have a return loss greater than 20 dB.

5.7.3 Connector and Splices

Connectors and splices are allowed inside the cable plant as long as the resulting loss conforms to the optical budget of this standard. The number and quality of connectors and splices represent a design trade-off. The loss of any single connection shall not exceed 0.75 dB. See Annex B for total connector losses different than 1.5 dB.

00
01
02
03
04
05
06
07
08
09
10
11
12
13
14
15
16
17
18
19
20
21
22
23
24
25
26
27
28
29
30
31
32
33
34
35
36
37
38
39
40
41
42
43
44
45
46
47
48
49
50
51
52
53

6 Electrical interface specification - single lane segments

This clause defines the electrical Tx and Rx parameters for the channel between a host ASIC and a transceiver module plugged into a separable connector at the Fibre Channel delta-T/delta-R compliance points. The existence of a compliance point is determined by the existence of a connector at that point in a TxRx connection.

6.1 General electrical characteristics

Each conforming electrical FC device shall be compatible with this serial electrical interface to allow interoperability within an FC environment. Fibre Channel 64GFC links use the 256B/257B transmission code and Forward Error Correction which is required to achieve the link BER objective; see FC-FS-5 (reference [2]). Prior to error correction, each Fibre Channel 64GFC TxRx electrical segment shall not exceed a BER of 1.09×10^{-5} under any compliant conditions. The parameters in this clause support meeting that requirement.

TxRx connections operating at these maximum distances may require some form of equalization to enable the signal requirements to be met. Greater distances may be obtained by specifically engineering a TxRx connection based on knowledge of the technology characteristics and the conditions under which the TxRx connection is installed and operated. However, such distance extensions are outside the scope of this standard. The general electrical characteristics are described in Table 9.

Table 9 – General electrical characteristics

	Units	6400-DF-EA-S
Data rate (note 1)	MB/s	6 400
Nominal symbol rate	MBd	28 900
Tolerance	ppm	±100
Differential Impedance	Ω (nom)	100
Notes:		
1 The data rate may be verified by determining the time to transmit at least 200 000 transmission bits (10 max length FC frames).		

6.2 Compliance test point definitions

6.2.1 Test method

The interoperability points are generally defined for Fibre Channel systems as being immediately after the mated connector. For the delta points this is not an easy measurement point, particularly at high frequencies, as test probes cannot be applied to these points without affecting the signals being measured, and de-embedding the effects of test fixtures is difficult. For delta point measurements reference test points are defined with a set of defined test boards for measurement consistency. The delta point specifications in FC-PI-7 are to be interpreted as being at the RF connector outputs and inputs of the reference compliance boards as observed by defined measurement instrumentation.

In order to provide test results that are reproducible and easily measured, this document defines two test boards that have RF connector interfaces for easy connection to test equipment. One is designed for insertion into a host, and one for inserting modules. The reference test boards' objectives are:

- Satisfy the need for interoperability at the electrical level.
- Allow for independent validation of host and module.

Testing compliance to specifications in a high-speed system is delicate and requires thorough consideration. Using common test boards that allow predictable, repeatable, and consistent results among vendors will help to ensure consistency and true compliance in the testing.

The reference test boards, which provide a set of overlapping measurements for module and host validation to ensure system interoperability, should meet requirements specified in IEEE 802.3™-2018, Annex 120E.4.1 (reference [16]).

6.2.2 Host test points

Host system transmitter and receiver compliance are defined by tests in which a Host Compliance Board is inserted, as shown in Figure 5, in place of the module. The test points are B and C.

Host compliance points are defined as the following:

- B: host output at the output of the Host Compliance Board. Electrical output and host return loss specifications shall be met at this point.
- C: host input at the input of the Host Compliance Board. Host return loss specifications shall be met at this point.

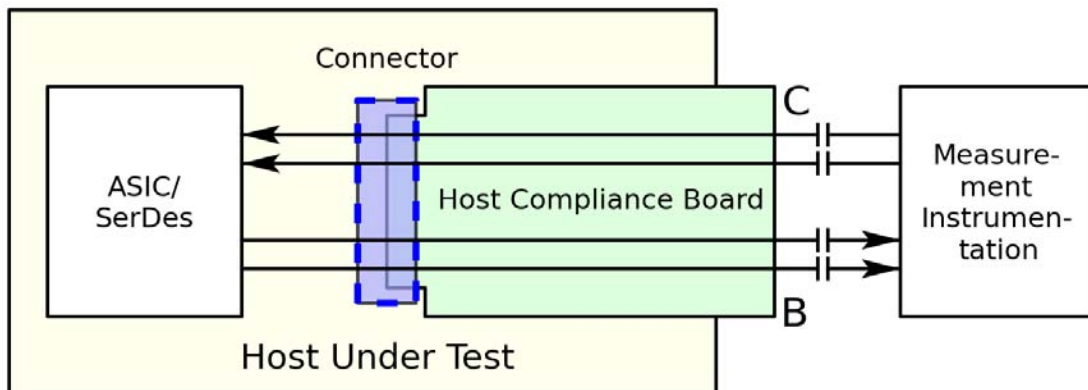


Figure 5 – Host Compliance Board

6.2.3 Module test points

Module transmitter and receiver compliance are defined by tests in which the module is inserted into the Module Compliance Board as shown in Figure 6.

Module test points are defined as the following:

- B': Module electrical input at the input of the Module Compliance Board. Module return loss specifications shall be met at this point.
- C': Module electrical output at the output of the Module Compliance Board. Module output and module return loss specifications shall be met at this point.

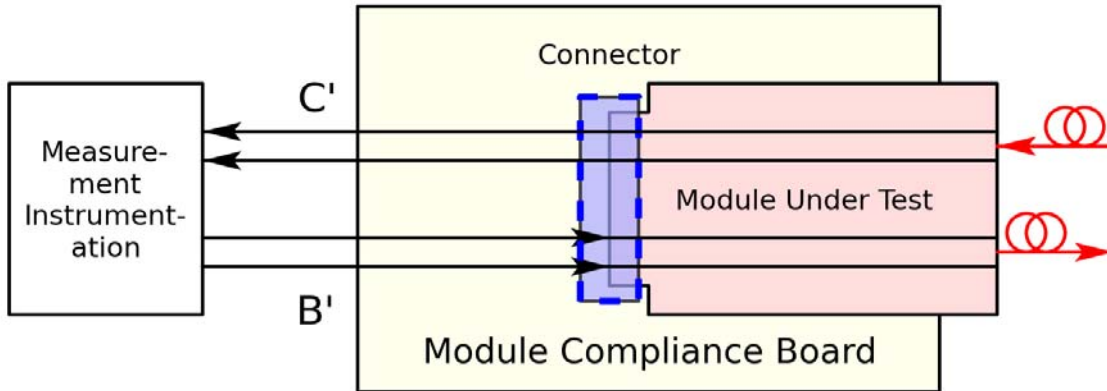


Figure 6 – Module Compliance Board

6.2.4 Host input calibration point

The host receiver input tolerance signal is calibrated through the Host Compliance Board at the output of the Module Compliance Board as shown in Figure 7. The opposite data path is excited with an asynchronous test source with PRBS31Q or 64GFC IDLE. See Table 11 for electrical characteristics. The host input calibration point is at C'' with specifications for input signals being calibrated at C''. Note that the point C'' has additional trace loss beyond the edge connector.

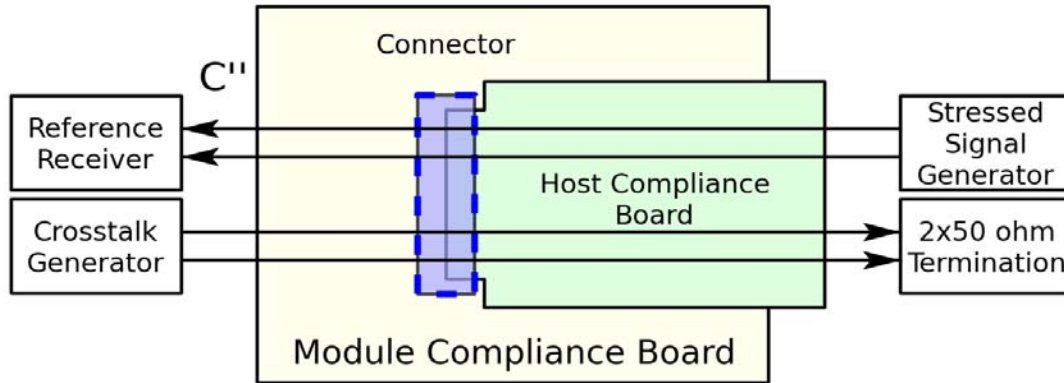


Figure 7 – Host input calibration point C''

6.2.5 Module input calibration point

The module electrical input tolerance signal is calibrated through the Module Compliance Board at the output of the Host Compliance Board as shown in Figure 8. The opposite data path is excited with an asynchronous test source with PRBS31Q or 64GFC IDLE. See Table 11 for electrical characteristics. The module input calibration point is at B'' with specifications for input signals being calibrated at B''. Note that point B'' has additional trace loss beyond the module contacts.

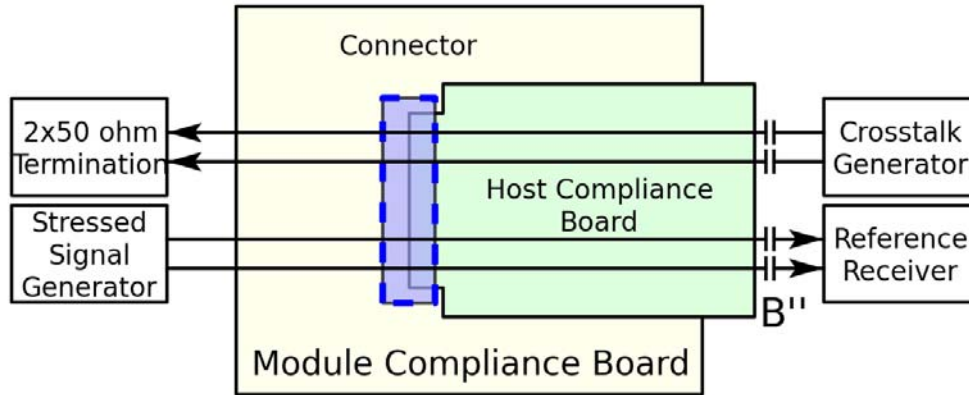


Figure 8 – Module input calibration point B''

6.3 Transmitted signal characteristics

This subclause defines the interoperability requirements of the transmitted signal at the driver end of a TxRx connection. Details for the measurement process are specified in IEEE 802.3™-2018 Annex 120E (reference [16]).

Hosts and modules shall meet the appropriate specifications defined in Table 10 at the nominal signal rate of 28900 MBd.

Table 10 – Transmitter compliance requirements at nominal signal rate of 28900 MBd

Parameter	Host output		Module electrical output		Units	Notes
	Min	Max	Min	Max		
Compliance point	B (Figure 5)		C' (Figure 6)			1
Differential voltage pk-pk Transmitter disabled Transmitter enabled	-	35 880	-	35 900	mV	2
common-mode noise rms	-	17.5	-	17.5	mV	
Differential termination resistance mismatch	-	10	-	10	%	3
Differential return loss SDD22	-	equation 1 Figure 9	-	equation 1 Figure 9	dB	4
common-mode to differential conversion SDC22	-	equation 2 Figure 10	-	equation 2 Figure 10	dB	5
Source transition time 20%-80%	10	-	9.5	-	ps	
common-mode voltage	-0.3	2.8	-	-	V	6
Eye width at 10 ⁻⁵ probability EW5	0.23		0.265		UI	7
Eye height at 10 ⁻⁵ probability EH5	34		70		mV	7
Vertical Eye Closure VEC	-	12	-	12	dB	8
Crosstalk parameters						
Signal calibration point	C" (Figure 7)		B" (Figure 8)			1,
Signal application point	C (Figure 5)		B' (Figure 6)			9
Crosstalk amplitude differential voltage pk-pk	900		900		mV	7
Crosstalk source slew time between +/- 270mV	12		12		ps	7
Notes:						
1 See compliance test point definitions in subclause 6.2						
2 Voltage measured with a test pattern PRBS13Q						
3 At 1 MHz						
4 See subclause 6.5.1 for differential return loss SDD22						
5 See subclause 6.5.2 for common-mode to differential conversion SDC22						
6 Referred to host ground						
7 See IEEE 802.3™-2018, Annex 120E (reference [16]) for test configurations and test methods. The module output eye and host stressed receiver eye specifications use the near end eye test methods.						
8 Vertical eye closure is determined according to Annex 120E in IEEE Std 802.3™-2018 (reference [16]).						
9 Host crosstalk calibration is specified in clause 3.2,1 and module crosstalk calibration is specified in clause 3.2.3 of FC-MSQS-2 (reference [7])						

6.4 Receive signal characteristics

This subclause defines the interoperability requirements of the delivered signal at the receive device end of a TxRx connection. Details for the measurement process are specified in IEEE 802.3™-2018, (reference [16]).

Hosts and modules shall meet the appropriate specifications defined in Table 11.

Table 11 – Receiver compliance requirements

Parameter	Host input		Module electrical input		Units	Notes
	Min	Max	Min	Max		
Return loss, mode conversion, and common-mode voltage requirements						
Compliance point	C (Figure 5)		B' (Figure 6)			1
Differential input voltage tolerance	900		900		mV	
Differential termination resistance mismatch	-	10		10	%	
Differential return loss SDD11	-	equation 1 Figure 9	-	equation 1 Figure 9	dB	2
differential-mode to common conversion SCD11		equation 2 Figure 10		equation 2 Figure 10		3
common-mode voltage	-0.3	2.8	-	-	V	4
Crosstalk signal requirements						
Signal calibration point	B" (Figure 8)		C" (Figure 7)			1, 5
Signal application point	B (Figure 5)		C' (Figure 6)			
Crosstalk amplitude differential voltage pk-pk	900		900		mV	
Crosstalk source slew time between +/- 270mV	12		12		ps	6
Stressed receiver test requirements						
Signal calibration point	C" (Figure 7)		B" (Figure 8)			1
Signal application point	C (Figure 5)		B' (Figure 6)			
Eye width at 10 ⁻⁵ probability EW5	0.265		0.230		UI	6
Eye height at 10 ⁻⁵ probability EH5	70		34		mV	6,7
Vertical Eye Closure VEC	-	12	-	12	dB	8
Notes:						
1 See compliance test point definitions in subclause 6.2						
2 See subclause 6.5.1 for differential return loss SDD22						
3 See subclause 6.5.2 for differential-mode to common-mode conversion SCD11						
4 Referred to host ground. common-mode voltage is generated by the host.						
5 During the module electrical input test, the crosstalk signal is generated by the module from an incoming optical signal. For purposes of calibrating the module stress signal, a worst case crosstalk signal is required to be produced by an electronic signal generator. See IEEE 802.3™-2018, (reference [16]).						
6 See IEEE 802.3™-2018, Annex 120E (reference [16]) for test configurations and test methods. The module output eye and host stressed receiver eye specifications use the near end eye test methods. Achieving target eye width and eye height may not be possible in test setups which do not meet differential insertion loss requirements.						
7 See FC-MSQS-2 (reference [7]) for the host crosstalk calibration (clause 3.2.2) and module crosstalk calibration (clause 3.2.4).						
8 Vertical eye closure is determined according to Annex 120E in IEEE Std 802.3™-2018 (reference [16]).						

6.5 Differential return loss and mode conversion requirements

6.5.1 Differential return loss

When measured at the respective test point, return loss shall not exceed the limits given in equation 1 as illustrated in Figure 9.

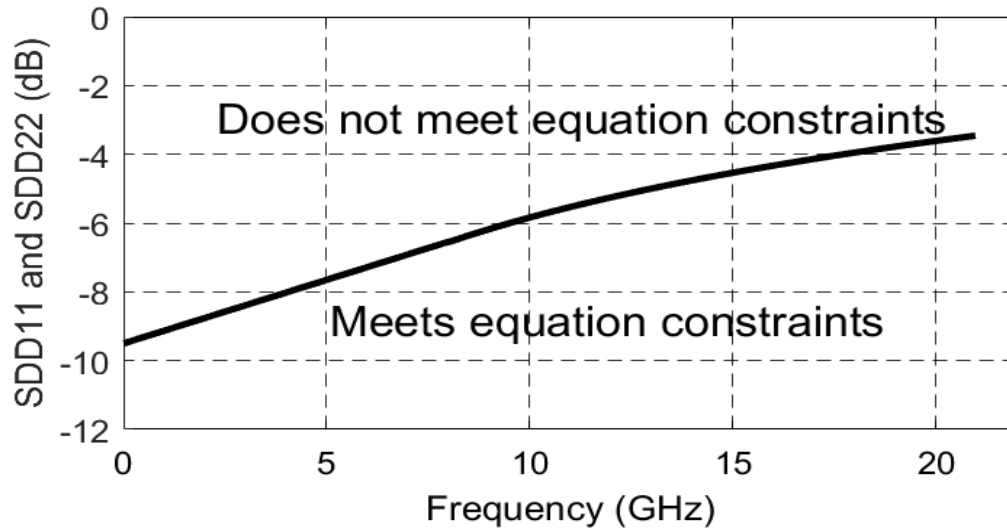


Figure 9 – SDD11 and SDD22 for all compliance points

Return loss equation at the appropriate test points:

$$SDD11, SDD22 \text{ (dB)} < \begin{cases} -9.5 + 0.368 \cdot f & 0.01 < f < 8 \text{ GHz} \\ -4.75 + 7.4 \cdot \log_{10}(f/14.025 \text{ GHz}) & 8 < f < 21 \text{ GHz} \end{cases} \quad (1)$$

6.5.2 Common to differential-mode and differential to common-mode conversion

The common to differential-mode and differential to common-mode conversion specifications are intended to limit the amount of unwanted signal energy that is allowed to be generated due to conversion of common-mode voltage to differential-mode voltage or vice versa.

When measured at the respective test point, common to differential-mode or differential to common-mode conversion SDC22 and SCD11 shall not exceed the limits given in equation 2 as shown in Figure 10.

$$SDC22, SCD11 \text{ (dB)} < \begin{cases} -22 + 20 \cdot f/25.78 \text{ GHz} & 0.01 < f < 12.89 \text{ GHz} \\ -15 + 6 \cdot f/25.78 \text{ GHz} & 12.89 < f < 21 \text{ GHz} \end{cases} \quad (2)$$

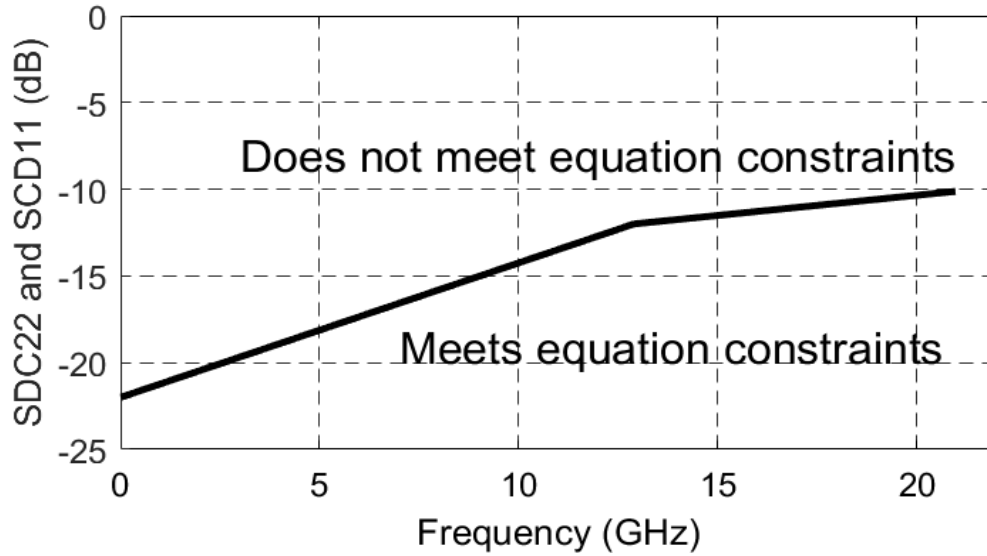


Figure 10 – SDC22 for transmitter output and SCD11 for receiver input

00
01
02
03
04
05
06
07
08
09
10
11
12
13
14
15
16
17
18
19
20
21
22
23
24
25
26
27
28
29
30
31
32
33
34
35
36
37
38
39
40
41
42
43
44
45
46
47
48
49
50
51
52
53

00
01
02
03
04
05
06
07
08
09
10
11
12
13
14
15
16
17
18
19
20
21
22
23
24
25
26
27
28
29
30
31
32
33
34
35
36
37
38
39
40
41
42
43
44
45
46
47
48
49
50
51
52
53

7 Backplane variant, 64GFC-EA

This clause defines the electrical requirements at the reference point α for TxRx connections using a passive electrical medium that meets the requirements of subclause 7.5. The reference points α_T and α_R are brought to observable compliance points A and D respectively using the test fixtures defined in subclause 7.2. This clause closely follows OIF CEI-56G-LR-PAM4 (reference [17]) and IEEE 802.3cd (reference [18]).

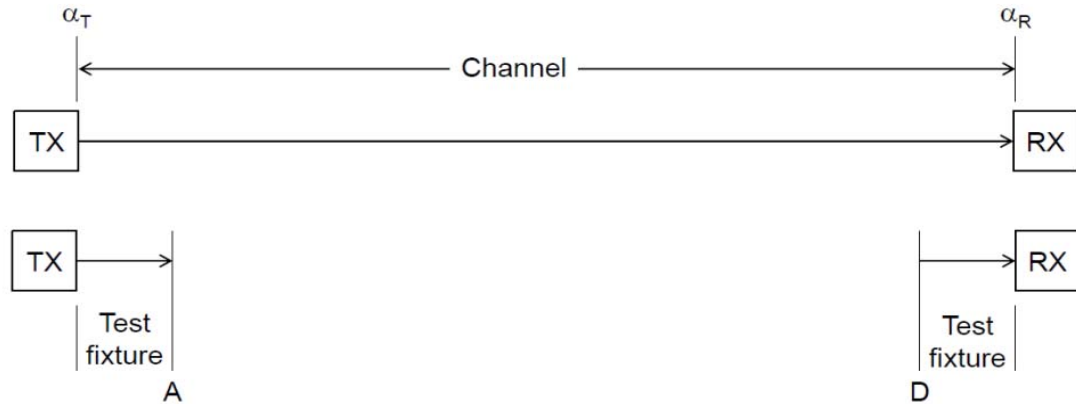


Figure 11 – Test fixture and test points

7.1 TxRx Connections

Fibre Channel 64GFC links use the 256B/257B transmission code; see FC-FS-5 (reference [2]). 64GFC links also require Forward Error Correction to achieve the link BER objective. Prior to error correction, Fibre Channel 64GFC electrical TxRx connections shall not exceed a BER of 1.09×10^{-4} under any compliant conditions. The parameters in this clause support meeting that requirement. BER after error correction is less than 1.0×10^{-15} .

7.2 Test Fixtures

Unless noted otherwise, measurements of the transmitter are made at test point A as shown in Figure 11. Unless noted otherwise, measurements of the receiver are made at test point D as shown in Figure 11.

The test fixture insertion loss shall meet equation 3.

$$1.3 \leq IL(f) \leq 1.7 \text{ dB} \quad f = 14 \text{ GHz} \quad (3)$$

The reference insertion loss of the test fixture shall meet equation 4; see Figure 12.

$$IL_{ref}(f) = -0.0015 + 0.144 \cdot \sqrt{f} + 0.069 \cdot f \quad 0.05 \leq f \leq 28.9 \text{ GHz} \quad (4)$$

The effects of differences between the insertion loss of an actual test fixture and the reference insertion loss are to be accounted for in the measurements.

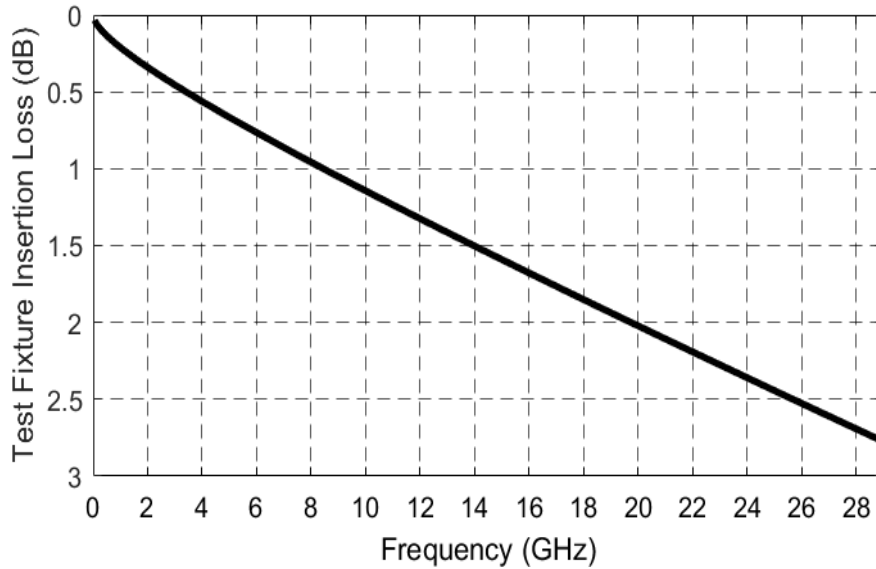


Figure 12 – Test fixture reference insertion loss

The test fixture insertion loss deviation (see IEEE Std 802.3™-2018, (reference [16]) shall meet equation 5.

$$|ILD(f)| \leq 0.1 \text{ dB} \quad 0.05 \leq f \leq 15 \text{ GHz} \quad (5)$$

The test fixture differential return loss shall meet equation 6; see Figure 13.

$$RL_d(f) \geq \begin{cases} 20 - f & 0.05 \leq f \leq 5 \text{ GHz} \\ 15 & 5 < f \leq 13 \text{ GHz} \\ 20.57 - 0.4286f & 13 < f \leq 29 \text{ GHz} \end{cases} \quad (6)$$

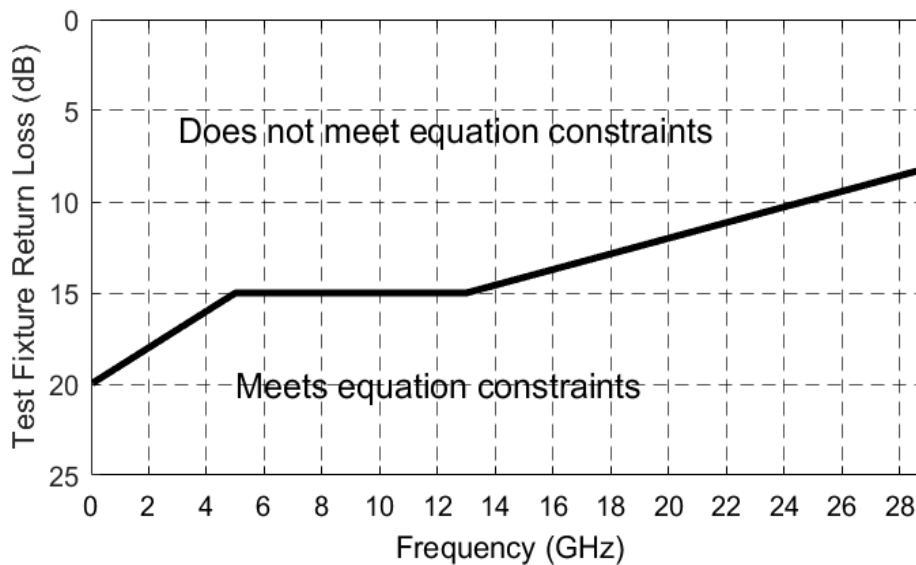


Figure 13 – Test fixture differential return loss

The test fixture common-mode return loss shall meet equation 7

$$RL_{cm}(f) \geq 10dB \quad 0.05 \leq f \leq 15 \text{ GHz} \quad (7)$$

7.3 Transmitter specification

The transmitter shall meet the specification in Table 12 as measured at test point A. Signals are specified as measured through a fourth-order Bessel-Thompson low-pass response with 40GHz 3dB bandwidth.

Table 12 – Transmitter electrical specifications at A

Parameter	Unit	Value	Note
Nominal signaling rate	MBd	28900	1
Differential peak output voltage, max			
Transmitter enabled	mV	1200	
Transmitter disabled	mV	30	2
DC common-mode output voltage, max	V	1.9	
DC common-mode output voltage, min	V	0	
AC common-mode output voltage, RMS max.	mV	12	
Differential output return loss, min	dB	Equation 8	
Common-mode output return loss, min	dB	Equation 9	
Output waveform			
Steady state voltage v_f , max	V	0.6	3
Steady state voltage v_f , min	V	0.4	
Level Separation Mismatch Ratio (min)		0.95	
Linear fit pulse peak, min	V	$0.75 V_f$	
C(-2) range	%	{0,10}	
C(-1) range	%	{-28,0}	
C(1) range	%	{-28,0}	
C(0) range	%	{60,100}	
Abs step size range for C(-2), C(-1), C(0) and C(1)		{0.005,0.025}	
Signal-to-noise-and-distortion ratio, min	dB	32.3	
Output jitter, max			
Even-odd jitter	UI	0.019	4
Uncorrelated Jitter (J_{4U}) (time interval from 0.005% to 99.995% of the probability distribution)	UI	0.118	
Uncorrelated Jitter RMS (J_{RMS})(standard deviation of the probability distribution)	UI	0.023	
Notes:			
1 The signaling rate shall not deviate by more than ± 100 ppm from the nominal signaling rate over all periods equal to 200 000 transmitted bits (~10 max length frames).			
2 Definition required to support FC-EE.			
3 Output waveform parameters defined by OIF CEI 56G-LR-PAM4 (reference [17]). The linear fit pulse response is computed using $N_p=15$ and $D_p=3$. Output noise and distortion parameters are defined by OIF CEI 56G-LR-PAM4 (reference [17]).			
4 Jitter parameters are defined by OIF CEI 56G-LR-PAM4 (reference [17]).			

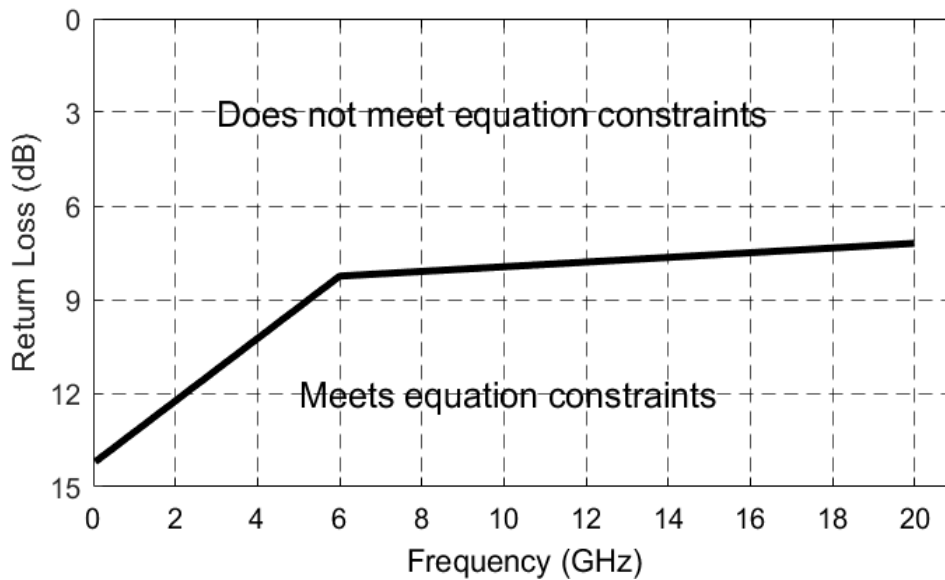
00 The coefficients are initialized by transmitter training (see FC-FS-5 reference [2]) upon reset or receipt of the initialize command. When initialized the value of the coefficients shall satisfy the following conditions: $C(-2)=0\pm 0.025$, $C(-1)=-0.15\pm 0.05$, $C(0)=0.75\pm 0.05$, $C(1)=-0.1\pm 0.05$

03 Transmitter differential return loss at A shall meet equation 8; see Figure 14. The test fixture return loss may be de-embedded from return loss measurements.

$$RL_d(f) \geq \begin{cases} 14.25 - f & 0.05 \leq f \leq 6 \text{ GHz} \\ 8.7 - 0.075f & 6 < f \leq 20 \text{ GHz} \end{cases} \quad (8)$$

12 Transmitter common-mode return loss at A shall meet equation 9; see Figure 15.

$$RL_{cm}(f) \geq \begin{cases} 9.05 - f & 0.05 \leq f \leq 6 \text{ GHz} \\ 3.5 - 0.075f & 6 < f \leq 21 \text{ GHz} \end{cases} \quad (9)$$



37 **Figure 14 – Transmitter and receiver differential return loss limit**

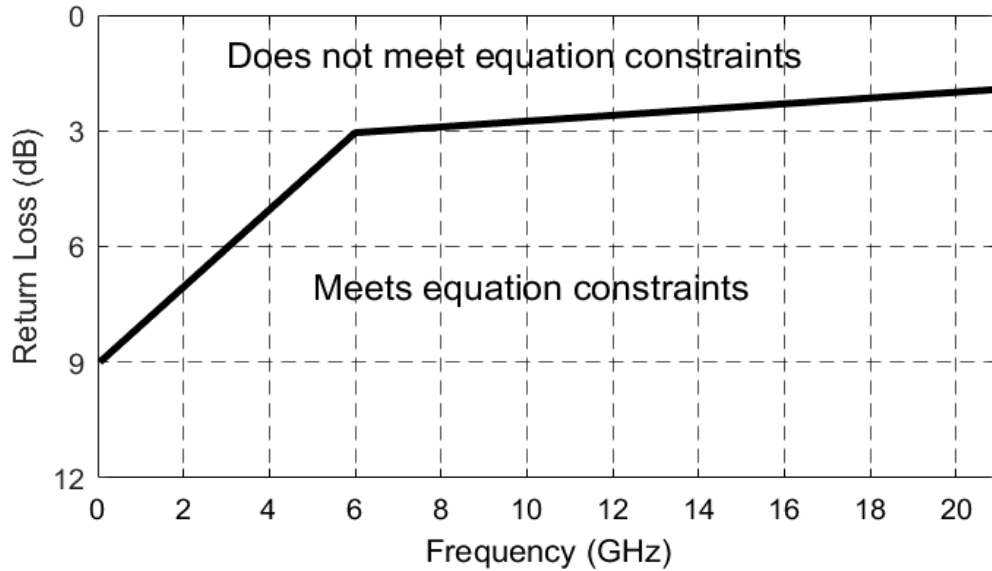


Figure 15 – Transmitter common-mode return loss

7.4 Receiver specification

Table 13 – Summary of receiver characteristics at test point D

Parameter	Value	Units	Note
Differential input return loss, min.	equation 8	dB	
Differential to common-mode return loss, min.	equation 10	dB	
Interference tolerance	Table 14		1
Jitter tolerance	Table 15		2
Notes:			
1 See subclause 7.4.2			
2 See subclause 7.4.3			

7.4.1 Receiver input return loss

Receiver differential return loss at D shall meet equation 8 (the same as the transmitter differential return loss; see Figure 14). The test fixture return loss may be de-embedded from return loss measurements.

Receiver differential to common-mode return loss at D shall meet equation 10; see Figure 16.

$$RL_{cd}(f) \geq \begin{cases} 25 - 1.44f & 0.05 \leq f \leq 6.95 \text{ GHz} \\ 15 & 6.95 < f \leq 21 \text{ GHz} \end{cases} \quad (10)$$

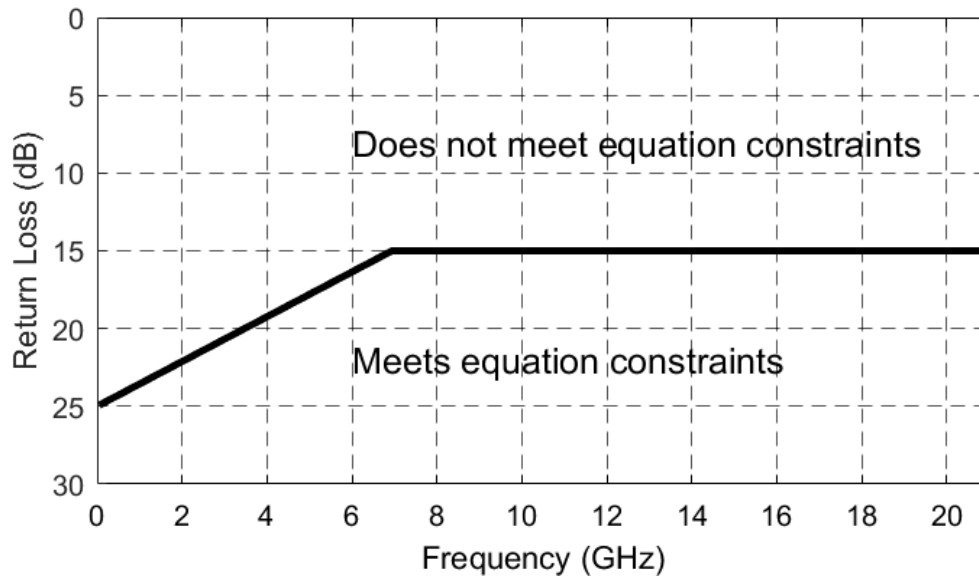


Figure 16 – Receiver differential to common-mode return loss limit

7.4.2 Receiver interference tolerance

The receiver interference tolerance test setup and method are defined in OIF 56G-LR-PAM4 (reference [17]). References to TP0 correspond to α_T , references to TP0a correspond to A, references to TP5A correspond to D, and references to TP5 correspond to α_R . The receiver shall meet the FEC symbol error ratio requirement with the channel defined for each test listed in Table 14. The test channel parameters represent the minimum stress to be applied to the receiver under test in order to demonstrate compliance.

The test transmitter meets the specifications in 7.3 as measured at Test Point A. The test transmitter is constrained such that for any transmit equalizer setting the differential peak-to-peak voltage shall be less than or equal to 800 mV and the equalizer coefficients shall be within the ranges given in Table 12. The lowest frequency f_{NDS1} for constraints on the noise spectral density is 1 GHz. The test pattern to be used is PRBS31Q or any valid 64GFC output. The return loss measured at TP5 replica (see IEEE Std 802.3™-2018, (reference [16]), Figure 93C-4) meets the requirements of equation 6. The Channel Operating Margin (COM) of the test channel is computed using IEEE Std 802.3™-2018 (reference [16]) 93A.2. The values of the parameters required for the calculation of COM are given in Table 16 with the following exceptions. The COM parameter A_{DD} is set to the value calculated by equation 11 from the measured values of J_{4u} and J_{RMS} . The COM parameter σ_{RJ} is set to the value calculated by equation 12 from the measured values of J_{4u} and J_{RMS} and the COM parameter SNR_{TX} is set to the value of SNDR measured at TP0a.

$$A_{DD} = \left(\frac{J_{4u}}{2}\right) + \left(Q4 \sqrt{(Q4^2 + 1) \times J_{RMS}^2 + \left(\frac{J_{4u}}{2}\right)^2}\right) / (Q4^2 + 1) \quad (11)$$

$$\sigma_{RJ} = \left(\frac{J_{4u}}{2} - A_{DD} \right) / (Q4) \quad (12)$$

Table 14 – Receiver interference tolerance parameters

Parameter	Test 1 values		Test 2 values		Units	Notes
	Min	Max	Min	Max		
FEC symbol error ratio		10 ⁻³		10 ⁻³	-	note 1
Insertion loss at 14 GHz	14.5	15.5	25	26	dB	note 2
RSS_DFE4	0.05	-	0.05	-	UI	note 3
COM, including the effects of broadband noise	-	3.0	-	3.0	dB	
Notes:						
1 The FEC symbol error ratio is the number of 10-bit symbols received with errors divided by the total number of 10-bit symbols transmitted as specified in IEEE Std 802.3™-2018 (reference [16]), 93C.2.						
2 Measured between TP1 and TP5 as specified in IEEE Std 802.3™-2018 (reference [16]), Figure 93C-4.						
3 Figure of merit for the test channel that is defined in IEEE Std 802.3™-2018 (reference [16]), 93A.2.						

7.4.3 Receiver jitter tolerance

The receiver jitter tolerance test setup and method are defined in OIF 56G-LR-PAM4 (reference [17]). References to TP0 correspond to α_T , references to TP0a correspond to A, references to TP5a correspond to D, and references to TP5 correspond to α_R . The receiver shall provide a FEC symbol error ratio of 10⁻³ or better with each pair of jitter frequency and peak-to-peak amplitude values listed in Table 15.

The test transmitter meets the specifications in subclause 7.3. The test transmitter is constrained such that for any transmit equalizer setting the differential peak-to-peak voltage is less than or equal to 900 mV and the equalizer coefficients are within the ranges given in Table 12. The test pattern to be used is PRBS31Q or any valid 64GFC output.

The test channel satisfies the requirements for insertion loss and coefficients of the fitted insertion loss listed for test 2 in Table 14.

Table 15 – ‘Receiver jitter tolerance parameters

Parameter	Case A	Case B	Case C	Case D	Case E	Units
Jitter frequency	0.04	1.333	4	12	40	MHz
Jitter amplitude (pk-pk)	5	0.15	0.05	0.05	0.05	UI

7.5 Channel Specification

7.5.1 Channel Operating Margin

The channel operating margin (COM) is computed using the procedure defined in OIF 56G-LR-PAM4 (reference [17]) and the parameters defined in Table 16. References to test point TP0 correspond to α_T and references to TP5 correspond to α_R . Channel operating margin (COM) shall be greater than or equal to 3 dB. This minimum value allocates margin for the practical limitations of the receiver implementation as well as the largest step size allowed for the transmitter equalizer coefficients.

Table 16 – Channel Operating Margin (COM) parameters

Parameter	Symbol	Value	Unit
Nominal signaling rate	f_b	28900	MBd
Maximum start frequency	f_{min}	50	MHz
Maximum step frequency	Δf	10	MHz
Device package mode			
Single-ended device capacitance	C_d	0.16	pF
Trace impedance	Z_c	95	Ohms
Transmission line length, test 1	Z_p	12	mm
Transmission line length, test 2	Z_p	30	mm
Single-ended package capacitance at package-to-board interface	C_p	0.11	pF
Single-ended reference resistance	R_0	50	Ohms
Single-ended termination resistance	R_d	50	Ohms
Transmitter differential peak output voltage			
Victim	A_v	0.41	V
Far-end aggressor	A_{fe}	0.41	V
Near-end aggressor	A_{ne}	0.60	V
Receiver -3dB bandwidth	f_r	$0.75 \times f_b$	MHz
Transmitter equalizer, minimum cursor coefficient	$c(0)$	0.6	
Transmitter equalizer, 2 nd pre-cursor coefficient			
Minimum value	$c(-2)$	0	
Maximum value		0.1	
Step size		0.025	
Transmitter equalizer, 1 st pre-cursor coefficient			
Minimum value	$c(-1)$	-0.28	
Maximum value		0	
Step size		0.025	
Transmitter equalizer, 1 st post-cursor coefficient			
Minimum value	$c(1)$	-0.28	
Maximum value		0	
Step size		0.025	
Continuous time filter, DC gain			
Minimum value	g_{DC}	-20	dB
Maximum value		0	dB
Step size		1	dB
Continuous time filter, DC gain 2			
Minimum value	g_{DC2}	-6	dB
Maximum value		0	dB
Step size		1	dB
Continuous time filter, zero frequency	f_z	$f_b / 2.5$	GHz
Continuous time filter, pole frequencies	$\{f_{p1}, f_{p2}\}$	$\{f_b / 2.5, f_b\}$	GHz
Continuous time filter, low frequency pole/ scaled zero	f_{LE}	$f_b / 40$	GHz
Number of signal levels	L	4	
Level separation mismatch ratio	R_{LM}	0.96	
Transmitter signal-to-noise ratio	SNR_{Tx}	32.5	dB
Number of samples per unit interval	M	32	
Decision feedback equalizer (DFE) length	N_b	12	UI
Normalized DFE coefficient magnitude limit n=1	$b_{max}(1)$	0.7	
Normalized DFE coefficient magnitude limit, n=2 to N_b	$b_{max}(2-N_b)$	0.2	
Random jitter, RMS	σ_{RJ}	0.01	UI
Deterministic jitter, peak	A_{DD}	0.02	UI
One-sided noise spectral density	η_0	5.2×10^{-8}	V^2/GHz
Target detector error ratio	DER_0	10^{-4}	

7.5.2 Channel Return Loss

The channel return loss shall be bounded by equation 13; see Figure 17

$$RL_{max}(f) = \begin{cases} 12 & f_{min} \leq f < \frac{f_b}{4} \\ 12 - 15 \log_{10} \left(4 \times \frac{f}{f_b} \right) & \frac{f_b}{4} \leq f < f_b \end{cases} \quad (13)$$

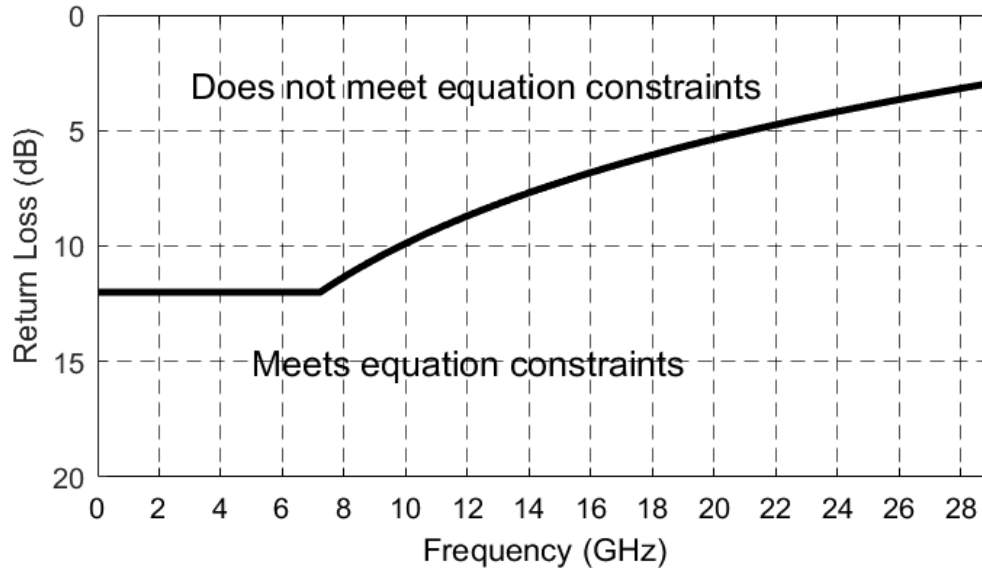


Figure 17 – Channel return loss limit

7.5.3 Channel AC coupling

The transmitter shall be AC-coupled to the receiver. The low-frequency 3 dB cutoff of the AC-coupling shall be less than 100 kHz.

Annex A (informative)

Optical cable plant usage

The worst-case power budget and link penalties for the multimode cables are specified in sub-clause 5.5 and are shown in Table 17. The worst-case power budget and link penalties for the single mode cables are specified in sub-clause 4 and are shown in Table 18.

Table 17 – Worst case (nominal bandwidth) multimode cable link power budget

Parameter	Unit	Value	Note
50µm (OM3) MMF			
Effective Modal Bandwidth	MHz*km	2000	1
Data rate	MB/s	6400	
Operating distance	m	0.5-70	
Link power budget (for max. TDECQ)	dB	7.5	
Allocation for penalties (for max. TDECQ)	dB	5.5	2
Channel insertion loss	dB	1.8	
Allocation for additional loss	dB	0.2	3
50µm (OM4/OM5) MMF			
Effective Modal Bandwidth	MHz*km	4700	4,5
Data rate	MB/s	6400	
Operating distance	m	0.5-100	
Link power budget (for max. TDECQ)	dB	7.5	
Allocation for penalties (for max. TDECQ)	dB	5.5	2
Channel insertion loss	dB	1.9	
Allocation for additional loss	dB	0.1	3
Notes:			
1 A minimum effective modal bandwidth-length product at 850 nm of 2 000 MHz*km for OM3 is ensured by combining a transmitter meeting the center wavelength and encircled flux conditions specified in TIA-492AAAC-B (reference [13]) or IEC 60793-2-10 (reference [9]) with a 50-µm fiber meeting the specifications in TIA-492AAAC-B (reference [13]) or IEC 60793-2-10 (reference [9]) for Type A1a.2.			
2 Link penalties for maximum TDECQ include combined worst case dispersion and noise penalties conditions described in subclause 5.5.5.			
3 The allocation for additional loss may be combined with the channel insertion loss to meet the measured channel insertion loss but not to increase the operating distance. However, the total connection and splice loss shall not exceed 1.5 dB.			
4 A minimum effective modal bandwidth-length product at 850 nm of 4 700 MHz*km for OM4 is ensured by combining a transmitter meeting the center wavelength and encircled flux specifications in TIA-492AAAD (reference [14])or IEC 60793-2-10 (reference [9]) with a 50-µm fiber meeting the specifications in TIA-492AAAD (reference [14]) or IEC 60793-2-10 (reference [9]) for Type A1a.3.			
5 A minimum effective modal bandwidth-length product at 850 nm of 4 700 MHz*km for OM5 is ensured by combining a transmitter meeting the center wavelength and encircled flux specifications in TIA-492AAAE (reference [15]) or IEC 60793-2-10 (reference [9])with a 50-µm fiber meeting the specifications in TIA-492AAAE (reference [15]) or IEC 60793-2-10 (reference [9]) for Type A1a.4.			

Table 18 – Worst case single mode cable link power budget

Parameter	Unit	Value	Note
Data rate	MB/s	6400	
Operating distance	m	0.5-10000	
Link power budget (for max. TDECQ)	dB	10.9	
Allocation for penalties (for max. TDECQ)	dB	4.6	1
Channel insertion loss	dB	6.3	
Allocation for additional loss	dB	0	2
Notes:			
1 Link penalties for maximum TDECQ include combined worst case dispersion and noise penalties conditions described in subclause 5.4.5.			
2 The allocation for additional loss may be combined with the channel insertion loss to meet the measured channel insertion loss but not to increase the operating distance. However, the total connection and splice loss shall not exceed 2.0 dB.			

Annex B (informative)

Structured cabling environment

B.1 Specification of operating distances

Operating distances of Fibre Channel links described in clause 5 are based on a variety of specifications including:

- Fiber properties regarding attenuation, core diameter, bandwidth length product and chromatic dispersion.
- Laser properties regarding launch power, spectral characteristics, jitter and rise/fall times.
- Receiver properties regarding sensitivity, cutoff frequency and jitter tolerance.
- Link properties regarding connection loss and unallocated link margin.

B.2 Alternate connection loss operating distances

In structured cabling environments, the connection loss used to calculate link distance may be different than the connection loss allocations specified in clause 5. Different allocations for connection loss result in changes to the maximum operating range. Table 19 provide the maximum operating range and loss budget requirements for a range of connection loss values. These loss values may be used provided the total channel loss budget requirements are met as appropriate for the fiber type, and the loss of any single connection does not exceed 0.75 dB. The minimum operating range for the tables is 0.5 meters.

Table 19 – 64GFC-SW (MM) and 64GFC-LW (SM) max operating distance & loss budget for different connection losses

Distance (m) / Loss Budget (dB) ^{1,2}					
Fiber Type	Connection Loss				
	3.0 dB	2.4 dB	2.0 dB	1.5 dB	1.0 dB
OM3	30 (3.11)	50 (2.58)	60 (2.22)	70 (1.75)	75 (1.27)
OM4	40 (3.14)	70 (2.65)	85 (2.31)	100 (1.86)	115 (1.42)
OM5	40 (3.14)	70 (2.65)	85 (2.31)	100 (1.86)	115 (1.42)
OS2	8 000 (6.44)	9 200 (6.35)	10 000 (6.3)	11 000 (6.23)	12 100 (6.2)

¹ Multimode fiber loss budget at 850nm

² Single-mode fiber loss budget at 1310nm

Annex C (informative)
Electrical channel

The channel consists of Host PCB trace, Module PCB trace, vias, AC coupling capacitor, and one connector, not necessarily in this order (figure 18). The recommended PCB trace differential impedance is $100 \pm 10 \Omega$.



Figure 18 – Typical FC-PI-7 electrical channel construction

The informative host to module channel consists of a insertion loss channel that is 13.8 dB at Nyquist. The informative host to module channel characteristics are in the tables below.

Table 20 – Informative host to module channel characteristics, high loss channel

Parameter	Symbol	Value	Units
Insertion loss	IL	13.8	dB

An example full channel model is shown in figure 19 below. Note that in practice the channel is not measurable as appropriate test points are not accessible.

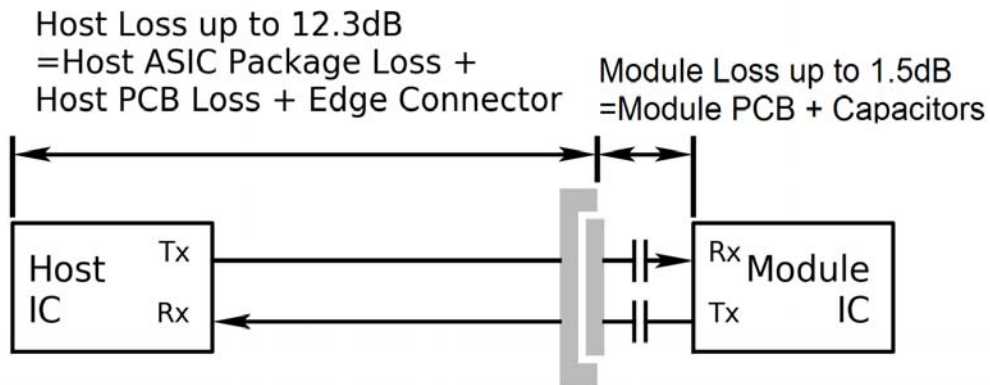


Figure 19 – FC-PI-7 full channel electrical reference model, high loss channel

If the host ASIC package loss exceeds 1.5 dB in figure 19, then the host PCB loss must be reduced to compensate. The total insertion loss is 13.8 dB for the channel and the various components that make up the channel loss will vary but the total should still equal 13.8 dB. Insertion loss